

Technical specification:

Rated voltage: 8pos
IEC 61076-2-109 48 V

Current rating: 8pos
IEC 61076-2-109 0,5 A at 40°C

Transfer properties: CAT 6A / 10 GBit/s
IEC 61076-2-109

Insulation resistance: >=100 MΩ
IEC 60512

Pollution degree: 3
IEC 60664-1

Degree of protection: IP 67, in mated condition
IEC 60529

Temperature range: -25°C ... +95°C
EN 60512-11-10
-40°C ... +85°C
EN 60512-11-4

Mating cycles: >=100
IEC 60512-9a

Total spring force: max 10N

Materials:

Contact: CuZn, Ni b / Au 0,2 gal.

Contact carrier: LCP GF, UL 94 V-0

Shielding cross: CuSn, Ni / sel. Sn

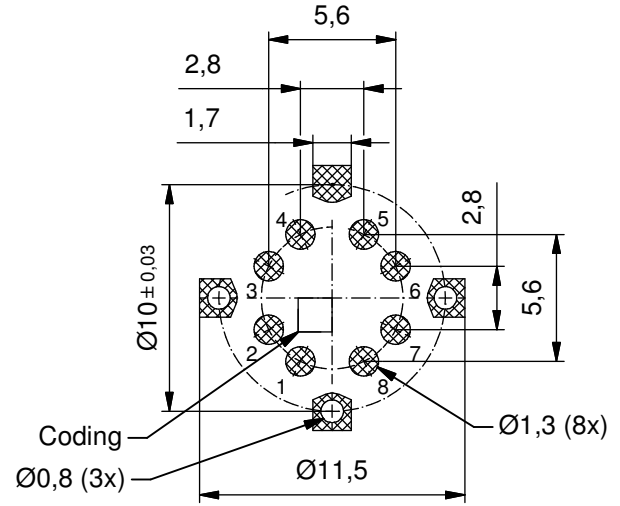
Socket housing: CuZn, Ni

Sealing: FPM

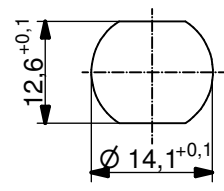
Coplanarity of all contacts max 0,1mm

Suitable for reflow soldering max. 60s / 250°C

PCB layout proposal

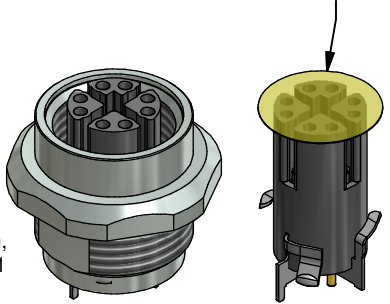


Cut-Out Front Panel



Minimum wall thickness 1,5mm, alternativ panel cut-out d=14,1

Tape & Reel - parts with adhesive pad Ø11mm



Part no. packing unit Tape & Reel:	Part no. packing unit in bulk:	Description:	Pos
43-02757TR	43-02757	SAL - 12X - FK8 - X9 / SMT	8

DO NOT ALTER CAD DRAWING BY HAND	RoHS & REACH compliant	dim. in mm		title: Female socket M12x1 SMT, X-Cod., frontmounting, X9	
		date	name		
		drawn	17.03.16	Brüntrup	dwg no: 43K1A2866
		appd.	17.03.16	Willer	
general tolerance: 0 ± 0,50mm 0,0 ± 0,25mm 0,00 ± 0,10mm * ± 1,5°		CONEC®		part no: see table	
<small>THIS DRAWING MAY NOT BE COPIED OR REPRODUCED IN ANY WAY, AND MAY NOT BE PASSED ON TO A THIRD PARTY WITHOUT WRITTEN PERMISSION. OWNERSHIP AND COPYRIGHT OF CONEC GmbH</small>					