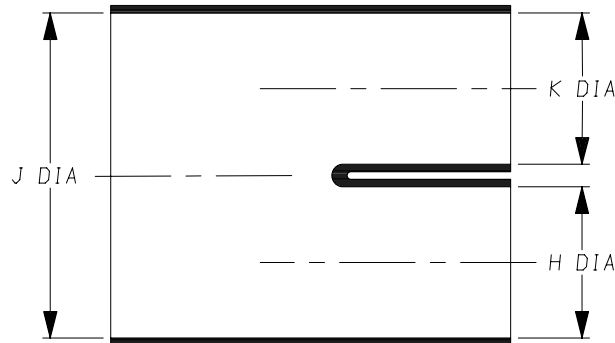
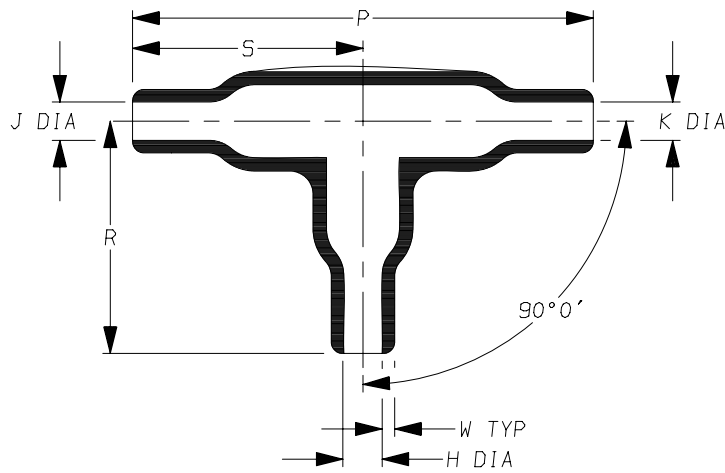


a) Part as supplied.

301A022-*G05



b) Part after unrestricted recovery.



DIMENSIONS in millimetres
(in inches, for reference)

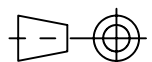
Part No.	H		J		K		P ±10% b	R ±10% b	S ±10% b	W ±20% b
	Min a	Max b	Min a	Max b	Min a	Max b				
301A022-*G05	18 (0.71)	6.9 (0.27)	18 (0.71)	6.9 (0.27)	18 (0.71)	6.9 (0.27)	59 (2.32)	30 (1.18)	30 (1.18)	1.5 (0.06)
	#		#							

This is an expanded variant
Modified dimensions are shown thus: - #

Copyright (!)

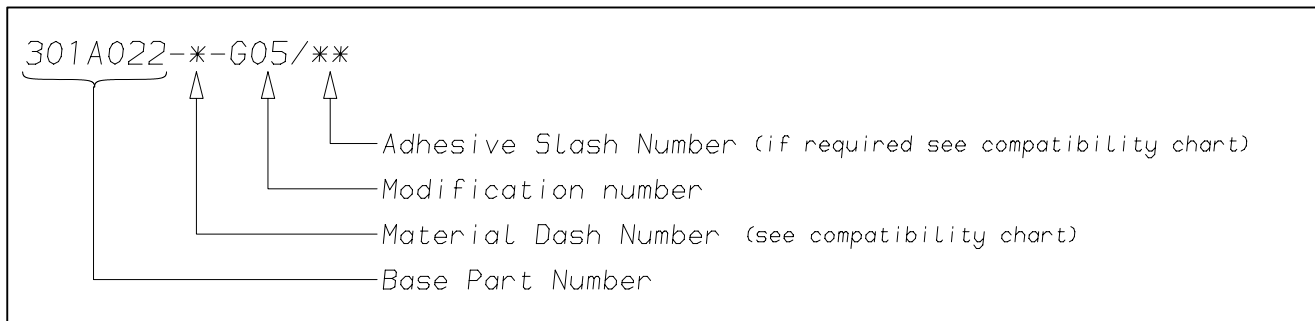
The copyright in this drawing is the property of Tyco Electronics UK Ltd. The drawing is issued on the condition that it is not copied, reproduced or disclosed to a third party, either in whole or in part without the prior written consent of Tyco Electronics UK Ltd.

Drawn A.LILLEY. Checked Issue 1 Date August 2006 Conforms to ISO Recommendations
Approval 3rd Angle Projection
Design MKTG. Q.A. Not to Scale



Raychem		Specification Control Drawing	Part Number 301A022-*G05	Issue 1
Iss.	Date	E.C.R. No.	Details of Change	

(Ordering Information)



(COMPATIBILITY CHART)

Material Dash Number	Material Description	SPEC Number	Coating Slash Number
-3	POLYOLEFIN, SEMI-RIGID	RT-301, RK-6703	/42, /86, /180
-4	POLYOLEFIN, FLEXIBLE	RT-1304, RK-6704	/42, /86
-6	SILICON	RT-602, RK-6706	N/A
-25	ELASTOMER, FLUID RESISTANT	RT-1325, RK-6713	/42, /86, /225
-130	POLYOLEFIN, COMMERCIAL FLEXIBLE	RW-2008	/42

NOTES

- ① As supplied dimensions are for uncoated parts, when coating is added entry diameters will reduce by 1.5mm Max.

Tyco electronics UK Ltd. Faraday Road, Swindon, Wiltshire, SN3 5HH England Telephone: (01793) 528171 Fax: 572516	Tyco electronics Corporation 300, Constitution Drive, Menlo Park, CA 94025 USA Telephone (650) 361-3860 Fax: (650) 361-5579
Cage Code K1010	Cage Code 06090