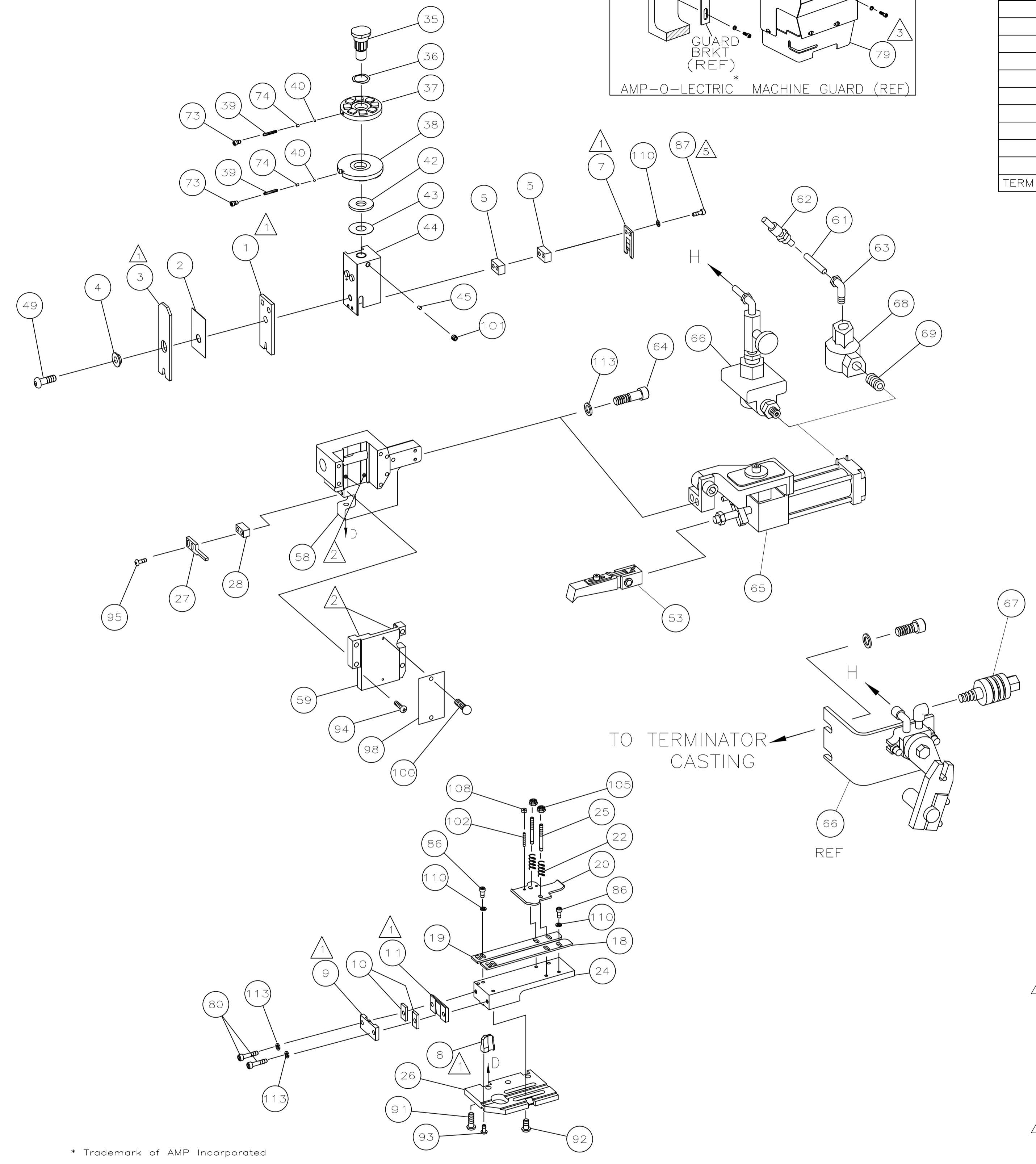
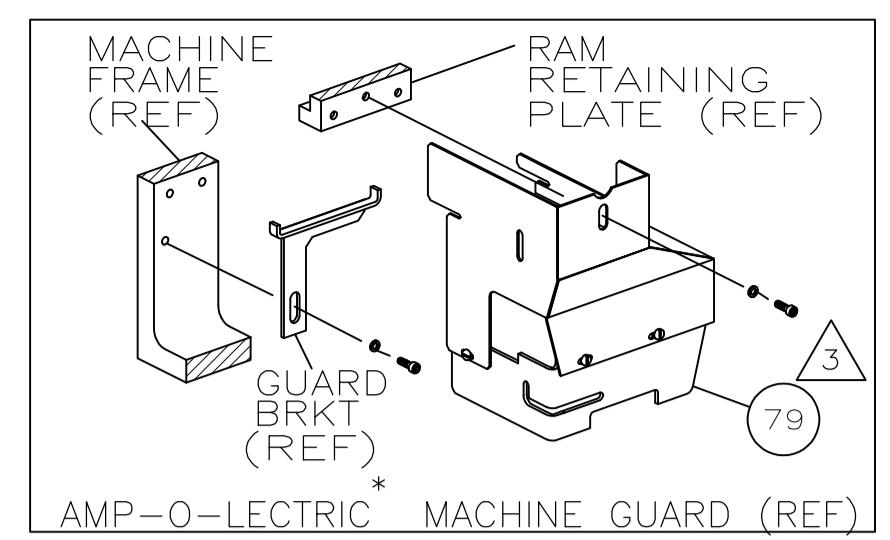


PART NUMBER	REV	FIRST USED
466610-1	K	854400-1
466610-2	K	565435-5

THIS DRAWING IS A CONTROLLED DOCUMENT. 466610



TERMINAL NAME:	GROUNDING RING
	61359-1
TERM APPL SPEC	114-2084

CRIMPING DATA			
PAD LTR	CRIMP HEIGHT	WIRE SIZE	
A	.095 ±.002	14	
B	.088 ±.002	16	
C	.083 ±.002	18	
D	NOT	USED	
CRIMP	SIZE	TYPE	RANGE
WIRE	.130	F	18-14
INSUL	.180	F	.090-.140
FEED	1.250	APPL INST	SET UP GAGE LAYOUT
		A18039	458638-1 910
WIRE STRIP LENGTH .173-.203			
-1	LEADMAKER	AIRFEED	
-2	AMP-O-LECTRIC	AIRFEED	

QTY	REQD	PER ASSY	PART NO	DESCRIPTION	ITEM NO
					129
					128
					127
					126
					125
					124
					123
					122
					121
					120
					119
					118
					117
					116
					115
					114
4	4	-	21024-5	WASHER,LOCK(NO.10)SHEAR PL	113
					112
					111
6	6	-	21024-4	WASHER,LOCK(NO.8)SHEAR BL	110
					109
2	2	-	21018-4	NUT,HEX(4-40)DRAG	108
					107
					106
2	2	-	21022-2	NUT,HEX SL(8-32)DRAG STUD	105
					104
					103
2	2	-	4-21078-8	SKT SKT SET (4-40x.75)DRAG	102
1	1	-	21009-2	SCR,SKT SET(1/4-20x.25)RAM	101
2	2	-	21017-2	SCR,DRIVE(#2x.19)ID PLATE	100
					99
1	1	-	461264-1	PLATE, IDENTIFICATION	98
					97
					96
2	2	-	2-21002-2	SCR,BHC(8-32x.50)STRIPPER	95
4	4	-	2-21002-9	SCR,BHC(10-32x.75)CAP	94
1	1	-	22733-8	SCR,BHC(8-32x.38 LW)ANVIL	93
4	4	-	3-21002-3	SCR,BHC(1/4-20x.50)ST GD PL	92
3	3	-	2-22733-8	SCR,BHC(1/4-20x.62)HSG	91
					90
					89
					88
2	2	-	3-21000-1	SCR,SHC(8-32x.97)SLUG BLADE	87
4	4	-	2-21000-7	SCR,SHC(8-32x.50)STRIP GUIDE	86
					85
					84
					83
					82
					81
2	2	-	3-21000-8	SCR,SKT CAP(10-32x.88)SH PL	80
1	-	-	455750-8	GUARD ASSY	79
					78
					77
					76
					75
2	2	-	690603-1	SPRING, ASSIST	74
2	2	-	23030-1	SCR,SKT CAP(6-32x.25)CP DSC	73
					72
					71
					70

QTY	REQD	PER ASSY	PART NO	DESCRIPTION	ITEM NO
					70
					69
					68
					67
					66
					65
					64
					63
					62
					61
					60
					59
					58
					57
					56
					55
					54
1	1	-	460680-1	FEED FINGER ASSY	53
					52
					51
					50
1	1	-	7-21002-9	BOLT, CRIMPER(5/16-24x1.00)	49
					48
					47
					46
1	1	-	690191-1	PLUG, NYLON	45
1	1	-	458266-1	RAM	44
1	1	-	690125-1	WASHER, LAMINATED	43
1	1	-	690124-1	WASHER, RAM	42
					41
2	2	-	23241-6	BALL, STEEL	40
2	2	-	690170-1	SPRING, COMPRESSION	39
1	1	-	690142-1	DISC, INSULATION	38
1	1	-	2-690692-2	DISC, WIRE	37
1	1	-	22480-5	WASHER, SPRING	36
1	1	-	690212-1	POST, RAM	35
					34
					33
					32
					31
					30
					29
1	1	-	3-690451-2	SPACER, STRIPPER	28
1	1	-	458265-1	STRIPPER	27
1	1	-	463915-2	PLATE, BASE	26
2	2	-	22354-8	DRAG, STUD	25
1	1	-	463903-2	PLATE, STRIP GUIDE	24
					23
2	2	-	4-22281-1	SPRING, DRAG	22
					21
1	1	-	454177-2	DRAG, STOCK	20
1	1	-	3-458030-1	GUIDE, STRIP (REAR)	19
1	1	-	3-458031-1	GUIDE, STRIP (FRONT)	18
					17
					16
					15
					14
					13
					12
1	1	-	463914-1	PLATE, REAR SHEAR	11
2	2	-	240645-9	SPACER, SHEAR PLATE	10
1	1	-	463913-1	PLATE, FRONT SHEAR	9
1	1	-	7-238005-3	ANVIL	8
1	1	-	1-238074-5	BLADE, SLUG	7
					6
2	2	-	5-238075-6	SPACER, SLUG BLADE	5
1	1	-	238009-1	SPACER, BLOCK CRIMPER	4
1	1	-	464113-1	CRIMPER, INSULATION	3
1	1	-	455888-5	SPACER, CRIMPER	2
1	1	-	464112-1	CRIMPER, WIRE	1

- 1 RECOMMENDED SPARE PARTS.
- 2 GREASE LIGHTLY.
- 3 GUARD MUST BE IN PLACE WHEN OPERATING APPLICATOR IN AMP-O-LECTRIC MACHINE.
- 4 SEE DRAWING FOR COMPONENTS
- 5 CUT TO LENGTH AT ASSY.

QTY	REQD	PER ASSY	PART NO	DESCRIPTION	ITEM NO
-2	-1	U/M			

QTY	REQD	PER ASSY	PART NO	DESCRIPTION	ITEM NO
-2	-1	U/M			

THIS INFORMATION IS CONFIDENTIAL AND PROPRIETARY TO TYCO ELECTRONICS CORPORATION AND ITS WORLDWIDE SUBSIDIARIES AND AFFILIATES. IT MAY NOT BE DISCLOSED TO ANY OTHER PERSON OR ENTITY WITHOUT THE WRITTEN AUTHORIZATION OF TYCO ELECTRONICS CORPORATION, HARRISBURG, PENNSYLVANIA, USA.

LOC A
DIST 66

* Trademark of AMP Incorporated

REVISION	DATE	BY	APPV
K	9-2010	MY	GB

DIMENSIONS:	TOLERANCES UNLESS OTHERWISE SPECIFIED:
INCHES	0 PLC ± .
	1 PLC ± .
	2 PLC ± .25
	3 PLC ± .
	4 PLC ± .

DWN	J.HERRINGTON	2/25/93	MATERIAL	-	HEAT TREAT	-
CHK	C. ERISMAN	3-1-93				
APVD	B. WOLFE	3-1-93				
END FEED HDM APPLICATOR						
SCALE	SIZE	DRAWING NO	SHEET	OF	REV	
-	A1	466610	1	1	K	

CUSTOMER ACCESSIBLE PRODUCTION DRAWING