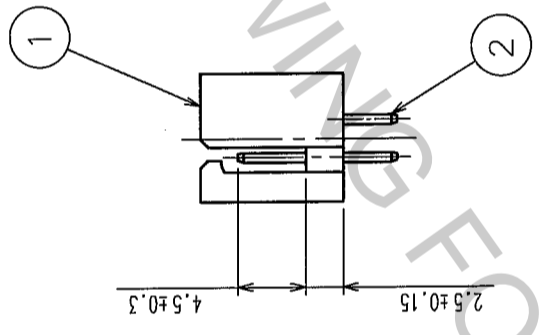
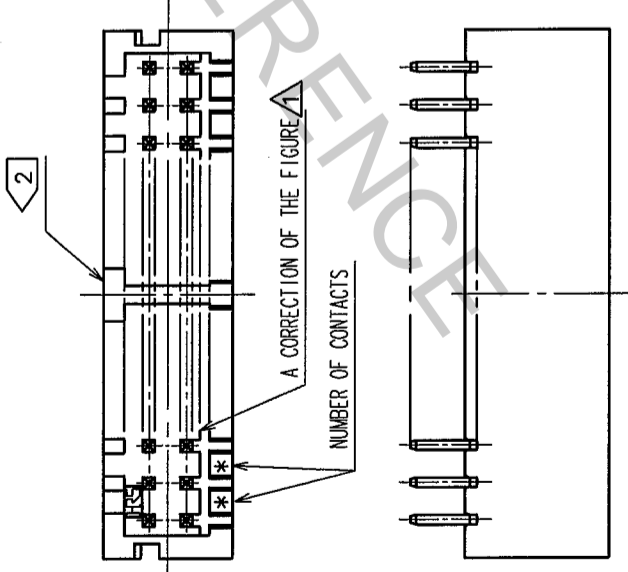
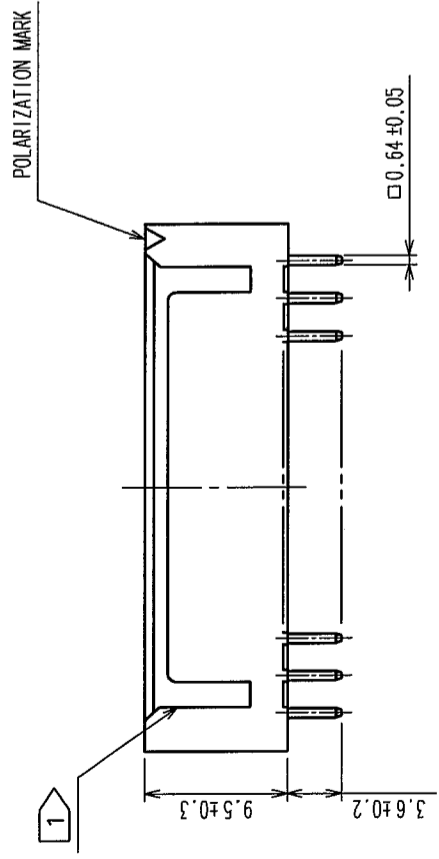
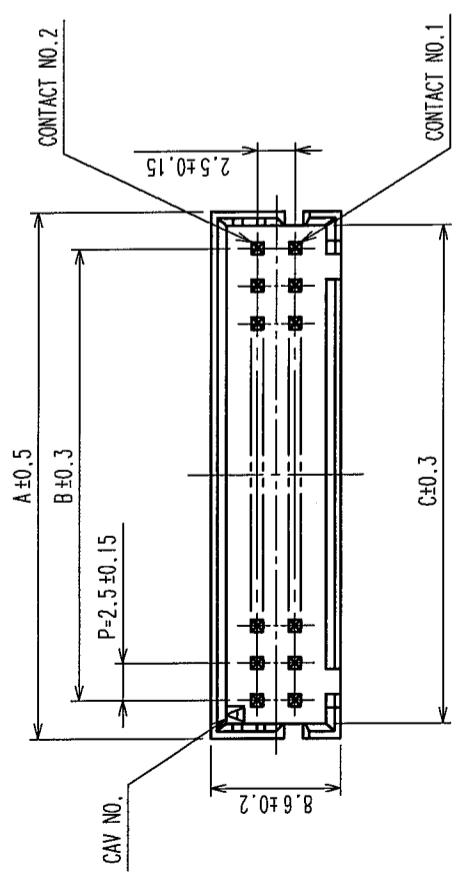
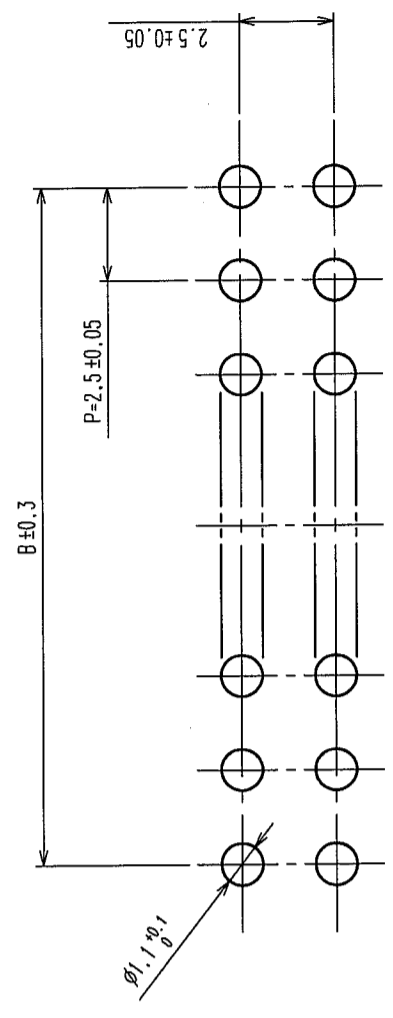


| COUNT | DESCRIPTION OF REVISIONS | BY   | CHKD | DATE     | COUNT | DESCRIPTION OF REVISIONS | BY | CHKD | DATE |
|-------|--------------------------|------|------|----------|-------|--------------------------|----|------|------|
| 1     | RE-H-06215               | T.K. | H.U. | 04-04-23 |       |                          |    |      |      |



| PART NO.          | CODE NO.     | NUMBER OF CONTACT | A    | B    | C    |
|-------------------|--------------|-------------------|------|------|------|
| DF1BZ-4DP-2.5DSA  | CL541-2017-0 | 4                 | 7.5  | 2.5  | 5.6  |
| DF1BZ-6DP-2.5DSA  | CL541-2018-3 | 6                 | 10.0 | 5.0  | 8.1  |
| DF1BZ-8DP-2.5DSA  | CL541-2019-6 | 8                 | 12.5 | 7.5  | 10.6 |
| DF1BZ-10DP-2.5DSA | CL541-2020-5 | 10                | 15.0 | 10.0 | 13.1 |
| DF1BZ-12DP-2.5DSA | CL541-2021-8 | 12                | 17.5 | 12.5 | 15.6 |
| DF1BZ-14DP-2.5DSA | CL541-2022-0 | 14                | 20.0 | 15.0 | 18.1 |
| DF1BZ-16DP-2.5DSA | CL541-2023-3 | 16                | 22.5 | 17.5 | 20.6 |
| DF1BZ-18DP-2.5DSA | CL541-2024-6 | 18                | 25.0 | 20.0 | 23.1 |
| DF1BZ-20DP-2.5DSA | CL541-2025-9 | 20                | 27.5 | 22.5 | 25.6 |
| DF1BZ-22DP-2.5DSA | CL541-2026-1 | 22                | 30.0 | 25.0 | 28.1 |
| DF1BZ-24DP-2.5DSA | CL541-2027-4 | 24                | 32.5 | 27.5 | 30.6 |
| DF1BZ-26DP-2.5DSA | CL541-2028-7 | 26                | 35.0 | 30.0 | 33.1 |
| DF1BZ-28DP-2.5DSA | CL541-2029-0 | 28                | 37.5 | 32.5 | 35.6 |
| DF1BZ-30DP-2.5DSA | CL541-2030-9 | 30                | 40.0 | 35.0 | 38.1 |
| DF1BZ-34DP-2.5DSA | CL541-2031-1 | 34                | 45.0 | 40.0 | 43.1 |
| DF1BZ-36DP-2.5DSA | CL541-2032-4 | 36                | 47.5 | 42.5 | 45.6 |
| DF1BZ-40DP-2.5DSA | CL541-2033-7 | 40                | 52.5 | 47.5 | 50.6 |

RECOMMENDED PATTERN(5:1)



NOTES 1: FOR 4 AND 6 CONTACTS, ONE MIS-INSERTION DEPRESSION SHALL BE MADE, FOR OTHERS, 2 MIS-INSERTION DEPRESSION AS PER DRAWING.  
 2: STAND-OFF SHALL MOVE RIGHT FOR 1.25 WHEN ONE-SIDE, ONE-ROW IS ODD. (STAND-OFF DESIGN SHALL BE AVAILABLE FOR 8 CONTACTS AND OVER)

| 1                           |           | 2                                      |          |
|-----------------------------|-----------|--|----------|
| NO.                         | MATERIAL  | FINISH, REMARKS                        | MATERIAL |
| 1                           | POLYAMIDE | UL94V-0, NATURAL (WHITE)               | BRASS    |
| SURFACE: TIN PLATED 1μm min |           | UNDER PLATING: NICKEL PLATED 0.5μm min |          |

| NO. | FINISH, REMARKS          | NO. | FINISH, REMARKS |
|-----|--------------------------|-----|-----------------|
| 1   | UL94V-0, NATURAL (WHITE) | 2   | BRASS           |

| DRAWN      |  | DESIGNED   |  | CHECKED     |  | APPROVED  |  | RELEASED  |  |
|------------|--|------------|--|-------------|--|-----------|--|-----------|--|
| F. Matsuki |  | H. Umehara |  | T. Miyazaki |  | T. Oma    |  |           |  |
| '04.03.25  |  | '04.03.25  |  | '04.03.25   |  | '04.03.25 |  | '04.03.25 |  |

| DRAWING NO.    |  | PART NO.         |  |
|----------------|--|------------------|--|
| EDC3-303247-02 |  | DF1BZ-*DP-2.5DSA |  |

| SCALE | UNITS | CODE NO. |
|-------|-------|----------|
| 2 : 1 | mm    | CL541-   |