

5

4

3

2

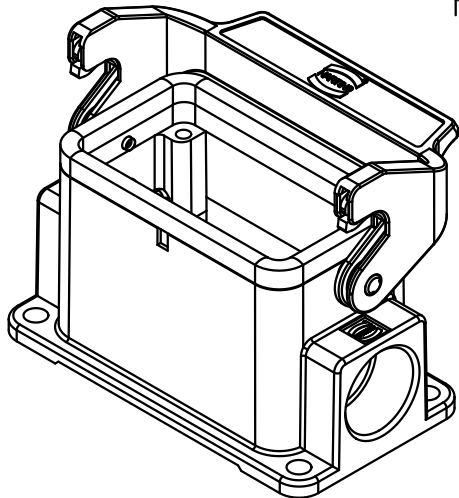
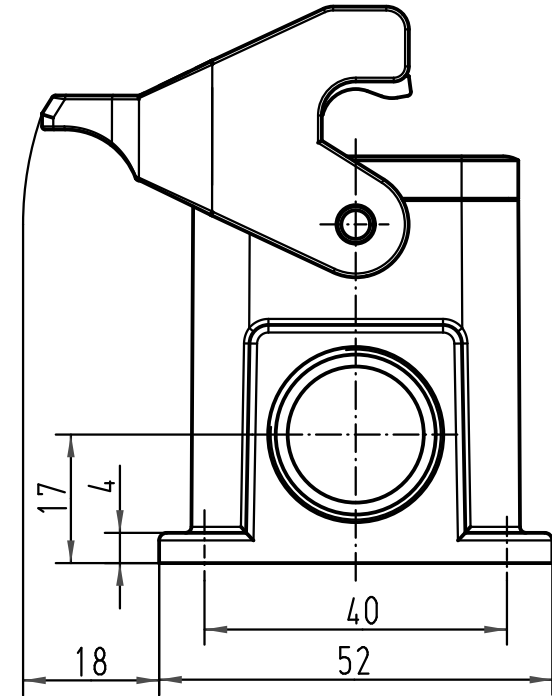
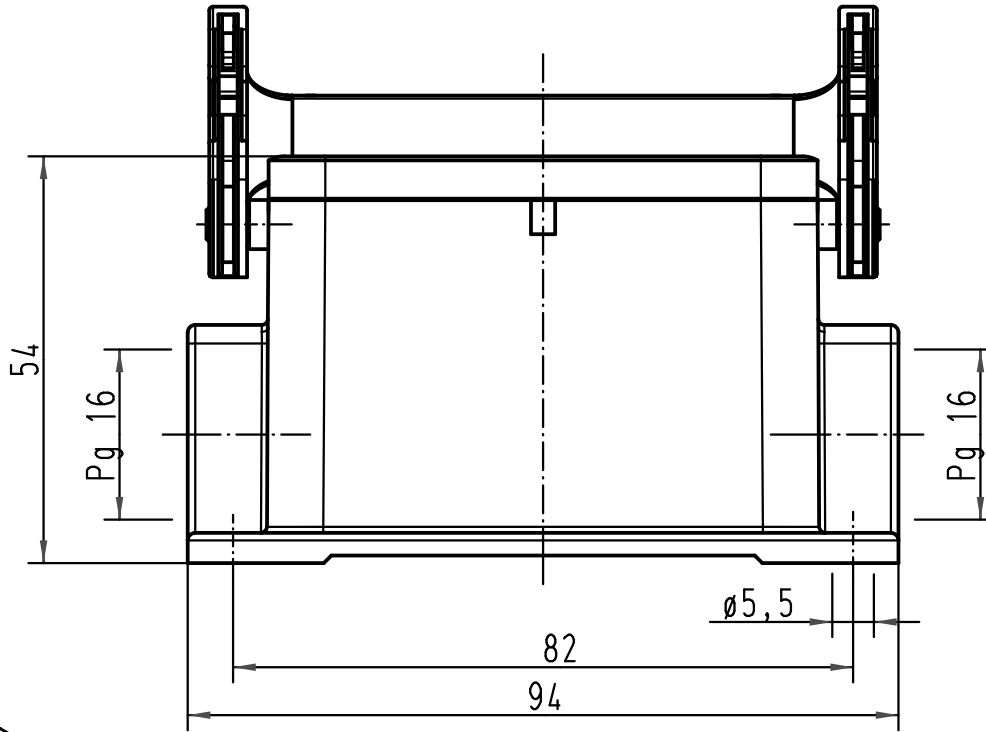
1

D

C

B

A



|   |          |                   |                                |   |  |
|---|----------|-------------------|--------------------------------|---|--|
| All Dimensions in mm<br>Original Size DIN A 4 |          | Techn. Character. |                                | Nicht tolerierte Maß/Free size tolerances |  |
|   |          |                   | Dat.                           | Name                                      | Maßstab/Scale<br><b>1:1</b>  |
|   |          | Detail.           | 16.02.00                       | Gä  |  |
|   |          | Insp.             |                                | FER                                       |  |
|   |          | Stand.            |                                |   |  |
| 413214  | 17.09.07 | Rull              | HARTING Electric GmbH & Co. KG |   | <b>TB 09 34 003 0204</b><br>Sockelgehäuse/<br>housing surface mounting |
| 27265   |          |                   | D-32339 Espelkamp              |   |  |
| Mod.  | Dat.     | Name              |                                |   | Sub. TB 09 34 0.. 020. v. 11.02.93                                     |
|   |          |                   |                                |   | Blatt/page   |