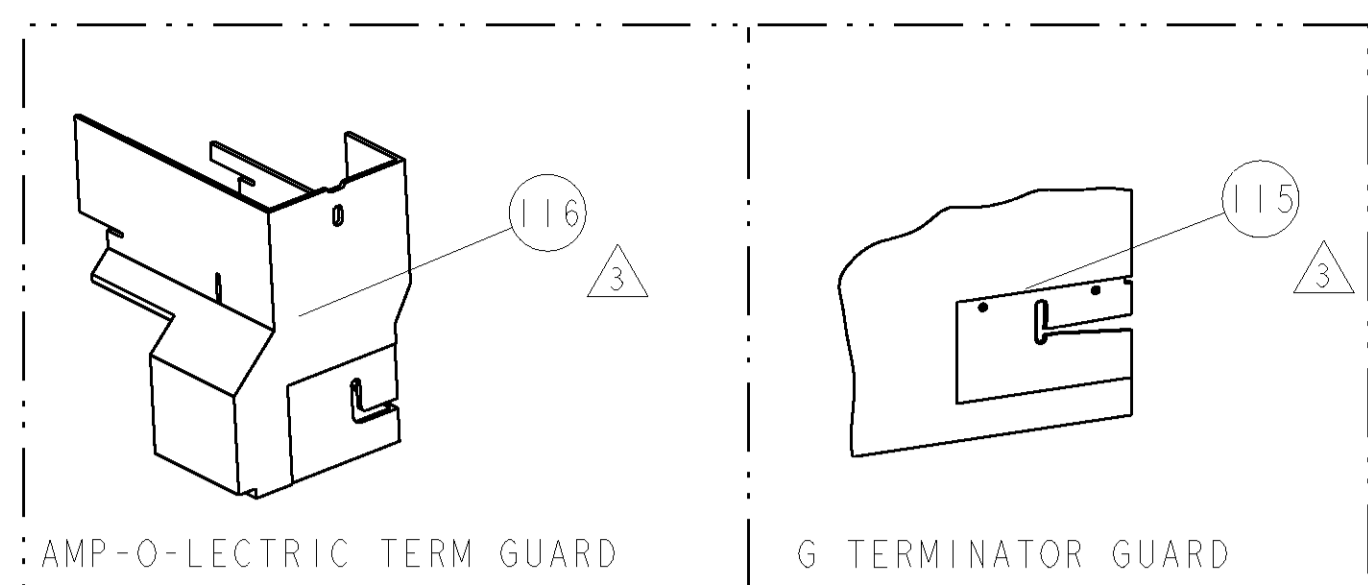


| PART NUMBER | REV | FIRST USED | POWER UNIT | FEED TYPE | DESCRIPTION |
|-------------|-----|------------|---------------|-----------|--------------------|
| 1855277-1 | B | 122500-1 | LEADMAKER | POST FEED | CUTS CARRIER |
| 1855277-2 | B | 565435-5 | BENCH MODEL K | PRE FEED | CUTS CARRIER |
| 1855277-3 | B | 354500-1 | BENCH MODEL G | PRE FEED | CUTS CARRIER |
| 1855277-6 | B | 122500-1 | LEADMAKER | POST FEED | CONTINUOUS CARRIER |
| 7-1855277-7 | A | - | - | - | SPARE PARTS |

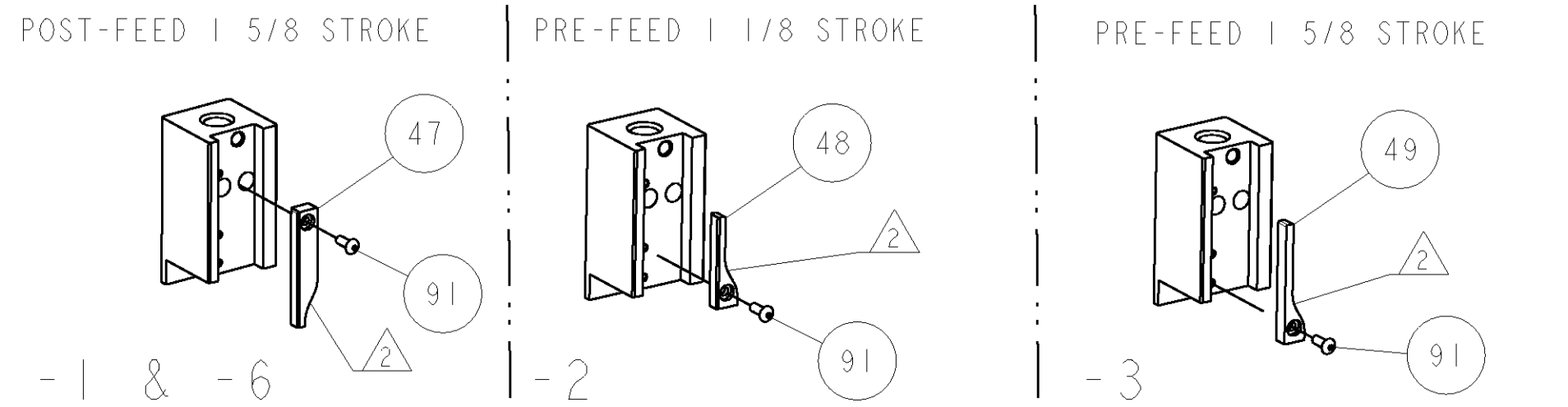
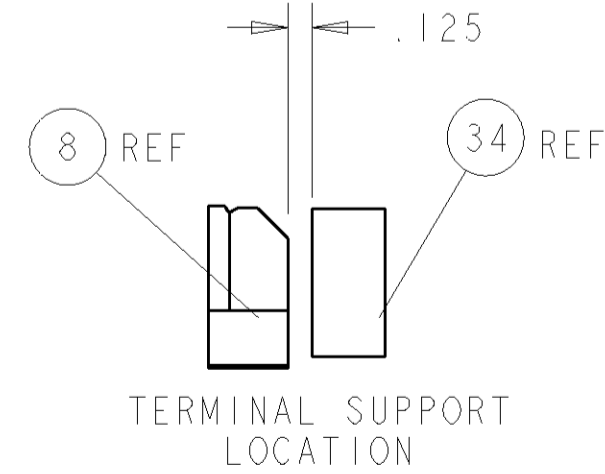
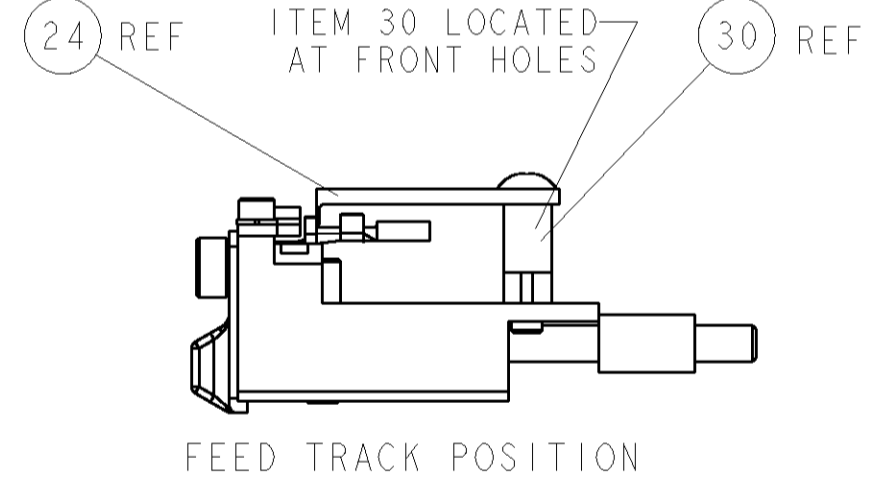
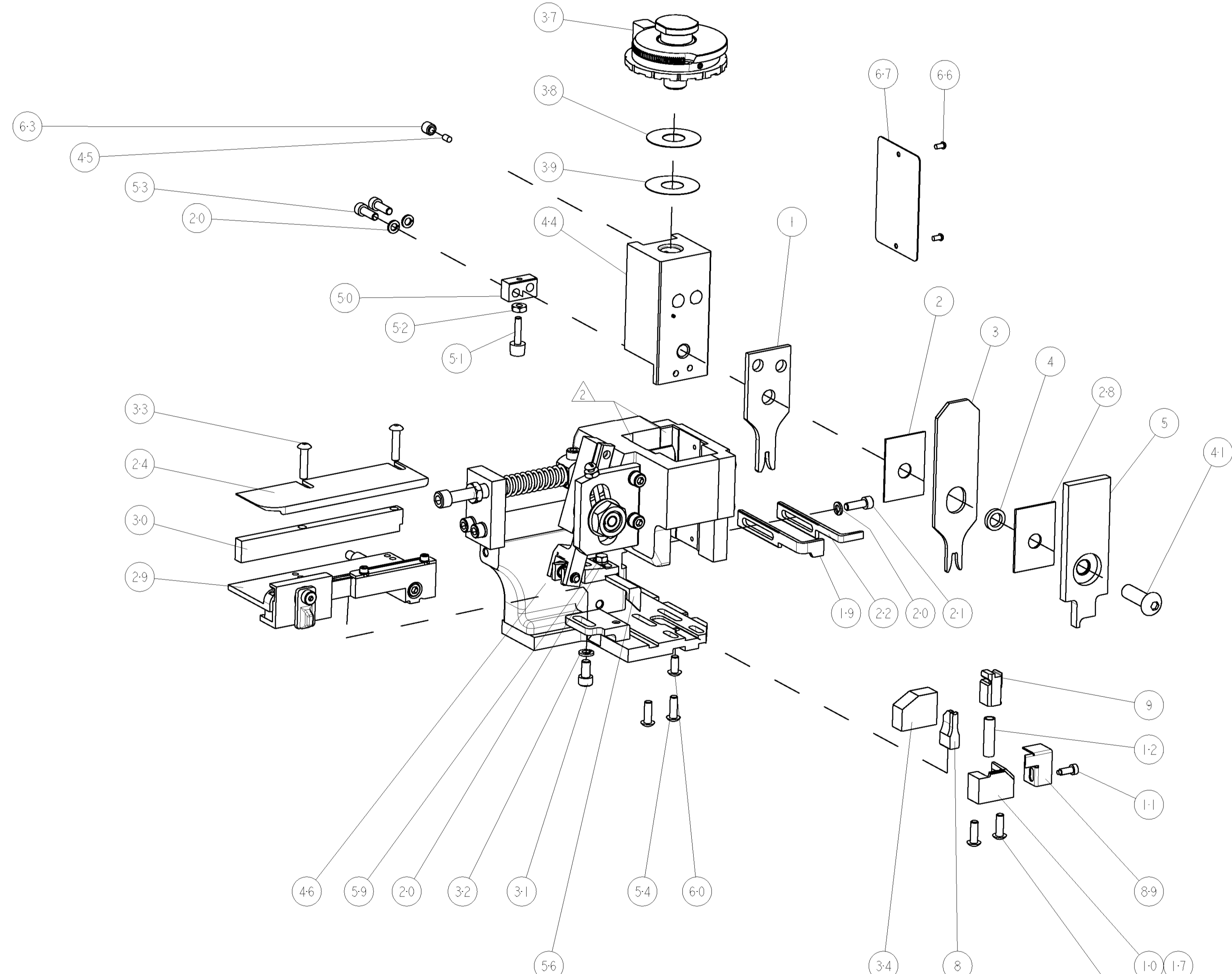


| TERMINAL NAME: CONTACT, RECEPTACLE, .070 TYPE | | | | |
|---|----------------|--------|--------------------------------|-------------|
| 184030 | - | - | AMP TERMINAL - AMP CRIMP SPECS | |
| 184289 | - | - | - | - |
| - | - | - | CRIMP HEIGHT | WIRE SIZE |
| - | - | - | 1.70±0.05mm [.067±.002] | 14AWG |
| - | - | - | 1.45±0.05mm [.057±.002] | 16AWG |
| - | - | - | 1.24±0.05mm [.049±.002] | 18AWG |
| - | - | - | 1.17±0.05mm [.046±.002] | 20AWG |
| - | - | - | CRIMP | SIZE |
| - | - | - | WIRE | TYPE |
| - | - | - | 2.29mm [.090] | F |
| - | - | - | INSUL | RANGE |
| - | - | - | 3.56mm [.140] | 20-14 AWG |
| - | - | - | FEED | SCROLL |
| - | - | - | 9.80mm | 1.19-2.69mm |
| WIRE STRIP LENGTH | TERM APPL SPEC | FEED | APPLICATOR INSTRUCTIONS | SET UP GAGE |
| 3.99-4.50mm | 114-8004 | 9.80mm | 408-8040 | 458637-1 |

| LOC | DIST | REV | DESCRIPTION | DATE | DWN | APVD |
|-----|------|-----|-----------------|-----------|-----|------|
| A | 66 | | | | | |
| A | | | PRODUCT RELEASE | 14MAY2007 | CMR | GB |
| A1 | | | ECR-08-008923 | 10APR2008 | MY | TE |
| B | | | ECR-09-004546 | 26FEB2009 | MY | GB |

- △ RECOMMENDED SPARE PARTS
- △ GREASE LIGHTLY
- △ GUARD MUST BE IN PLACE WHEN OPERATING APPLICATOR IN A BENCH MACHINE
- △ APPLICATOR APPLIES A SCROLL INSULATION CRIMP IN PLACE OF A SEAL. DISREGARD SECTION COVERING SEALS.

*** WARNING**
ON INSTALLATION, SET WIRE DISC TO LARGEST WIRE SIZE SETTING. USE OF SETTINGS BELOW MIN. REQUIRED CRIMP HEIGHT SETTING WILL CAUSE DAMAGE TO CRIMP TOOLING.



| | | | | | | | | | |
|---|---|---|---|-----|---|----|------------|---------------------------------------|-----|
| △ | - | - | - | REF | - | .. | 455749-1 | GUARD WINDOW | 116 |
| △ | - | - | - | REF | - | .. | 679532-1 | INSERT, GUARD | 115 |
| - | 1 | 1 | 1 | 1 | 1 | - | 1-21002-7 | SCR, BTN SKT HD CAP 6-32 X .375 | 91 |
| - | 1 | 1 | 1 | 1 | 1 | - | 318563-1 | GUARD, FRONT CHIP | 89 |
| - | 1 | 1 | 1 | 1 | 1 | - | 4088040 | SF APPL INST 408-8040 | 72 |
| - | 1 | 1 | 1 | 1 | 1 | - | 217238-1 | GENERAL INSTRUCTION PKG | 71 |
| - | 1 | 1 | 1 | 1 | 1 | - | 461264-5 | PLATE, IDENTIFICATION | 67 |
| - | 2 | 2 | 2 | 2 | 2 | - | 21017-2 | SCREW, DRIVE | 66 |
| - | 1 | 1 | 1 | 1 | 1 | - | 21009-2 | SCR, SET, SELF LOCKING 1/4-20 X .250 | 63 |
| - | 1 | 1 | 1 | 1 | 1 | - | 22733-8 | SCR, BHSC, SELF-LOCKING, 8-32 X .375 | 60 |
| - | 1 | 1 | 1 | 1 | 1 | - | 2-22603-0 | SCR, HEX HD CAP 8-32 X .312 | 59 |
| - | 1 | 1 | 1 | 1 | 1 | - | 458537-2 | PAWL, FEED | 56 |
| - | 4 | 4 | 4 | 4 | 4 | - | 2-21002-2 | SCR, BTN SKT HD CAP 8-32 X .500 | 54 |
| - | 2 | 2 | 2 | 2 | 2 | - | 2-21000-7 | SCR, SKT HD CAP 8-32 X .500 | 53 |
| - | 1 | 1 | 1 | 1 | 1 | - | 21018-5 | NUT, HEX, REG 6-32 | 52 |
| - | 1 | 1 | 1 | 1 | 1 | - | 811242-2 | BUMPER, HOLD DOWN | 51 |
| - | 1 | 1 | 1 | 1 | 1 | - | 690753-1 | SPACER, TONKER | 50 |
| - | - | - | - | - | - | .. | 690602-6 | CAM, PRE FEED, 1 5/8 | 49 |
| - | - | - | - | - | - | .. | 690602-5 | CAM, PRE FEED, 1 1/8 | 48 |
| - | 1 | - | - | - | - | - | 690501-4 | CAM, POST-FEED 1 5/8 | 47 |
| - | 1 | 1 | 1 | 1 | 1 | - | 459456-1 | APPL. BASIC SUB ASSY (SIDE WISE MOCA) | 46 |
| - | 1 | 1 | 1 | 1 | 1 | - | 690191-1 | PLUG, NYLON | 45 |
| - | 1 | 1 | 1 | 1 | 1 | - | 455673-1 | RAM, SIDE FEED | 44 |
| - | 1 | 1 | 1 | 1 | 1 | - | 7-21002-9 | SCR, BTN SKT HD CAP 5/16-24 X 1.00 | 41 |
| - | 1 | 1 | 1 | 1 | 1 | - | 690125-1 | SHIM SUB-ASSY | 39 |
| - | 1 | 1 | 1 | 1 | 1 | - | 1-469367-0 | SHIM | 38 |
| - | 1 | 1 | 1 | 1 | 1 | - | 879103-3 | FINE ADJUST HEAD ASSEMBLY | 37 |
| - | 1 | 1 | 1 | 1 | 1 | - | 690786-1 | TERMINAL SUPPORT | 34 |
| - | 2 | 2 | 2 | 2 | 2 | - | 2-21002-4 | SCR, BTN SKT HD CAP 8-32 X .750 | 33 |
| - | 1 | 1 | 1 | 1 | 1 | - | 21024-5 | WASHER, SPRG LOCK, REG NO 10 | 32 |
| - | 1 | 1 | 1 | 1 | 1 | - | 3-21000-4 | SCR, SKT HD CAP 10-32 X .375 | 31 |
| - | 1 | 1 | 1 | 1 | 1 | - | 1320908-8 | SPACER, STRIP GUIDE | 30 |
| - | 1 | 1 | 1 | 1 | 1 | - | 1633091-1 | ASSEMBLY, STRIP GUIDE | 29 |
| - | 1 | 1 | 1 | 1 | 1 | - | 1-455888-0 | SPACER, CRIMPER | 28 |
| - | 1 | 1 | 1 | 1 | 1 | - | 1320928-1 | PLATE, STRIP GUIDE | 24 |
| - | 1 | - | - | - | - | - | 690472-2 | STRIPPER | 22 |
| - | 1 | 1 | 1 | 1 | 1 | - | 2-21000-7 | SCR, SKT HD CAP 8-32 X .500 | 21 |
| - | 4 | 4 | 4 | 4 | 4 | - | 21024-4 | WASHER, SPRG LOCK, REG NO 8 | 20 |
| - | - | - | - | - | - | - | 691353-1 | STRIPPER | 19 |
| △ | - | - | - | - | - | - | 679625-1 | SHEAR HOLDER, FRONT (NO CUT) | 17 |
| - | 1 | 1 | 1 | 1 | 1 | - | 3-22280-3 | SPRING, COMPRESSION | 12 |
| - | 1 | 1 | 1 | 1 | 1 | - | 690461-1 | STOP, SHEAR | 11 |
| △ | - | - | - | - | - | - | 690459-1 | SHEAR HOLDER, FRONT | 10 |
| △ | - | 1 | 1 | 1 | 1 | - | 1-454276-9 | FLOATING SHEAR, FRONT | 9 |
| △ | 1 | 1 | 1 | 1 | 1 | - | 1-189717-8 | ANVIL, COMBINATION | 8 |
| - | 1 | 1 | 1 | 1 | 1 | - | 2-455889-0 | DEPRESSOR, SHEAR | 5 |
| - | 1 | 1 | 1 | 1 | 1 | - | 1-238011-0 | BLOCK, CRIMPER SPACER | 4 |
| △ | 1 | 1 | 1 | 1 | 1 | - | 1424367-2 | CRIMPER, INSULATION, SCROLL | 3 |
| - | 1 | 1 | 1 | 1 | 1 | - | 455888-7 | SPACER, CRIMPER | 2 |
| △ | 1 | 1 | 1 | 1 | 1 | - | 3-456406-3 | CRIMPER, WIRE PREMIUM | 1 |

| DIMENSIONS: | | TOLERANCES UNLESS OTHERWISE SPECIFIED: | |
|-------------|--------|--|--------|
| INCHES | Ø | Ø | ± |
| | 1 PLC | ± | 0.1 |
| | 2 PLC | ± | 0.01 |
| | 3 PLC | ± | 0.001 |
| | 4 PLC | ± | 0.0001 |
| | ANGLES | ± | 0.0001 |

| | | | |
|-----------------------|-----------------|-------------------|-----------------|
| APPROVED: M. CLIFFORD | DATE: 01MAY2007 | NAME: M. CLIFFORD | PRODUCT SPEC: - |
| CUSTOMER DRAWING | SCALE: 3:5 | SHEET: 1 | REV: B |

CUSTOMER VIEWABLE ASSEMBLY