

PART NAME: KNOB SCALE: 1:1 DATE: 5/17/72 DR. BY NH

THIS DRAWING IS THE PROPERTY OF DAVIES MOLDING COMPANY, IS SUBMITTED SOLELY AS A DESIGN OR ENGINEERING PROJECT. WE ACCEPT NO RESPONSIBILITY WHATSOEVER FOR THE PRACTICAL APPLICATION OF THE PIECES MADE TO THIS DESIGN.

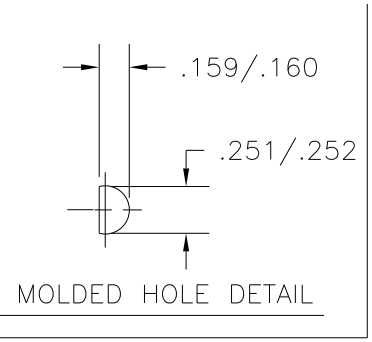
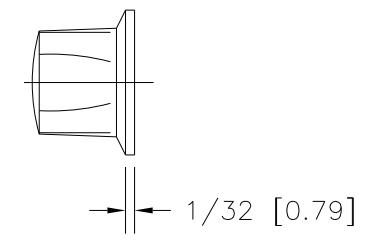
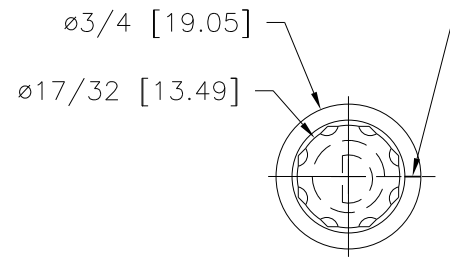
DAVIES MOLDING COMPANY
CAROL STREAM, ILLINOIS 60188

P/N 1910BN
BASE PART 1910-03
SPRING 11125A

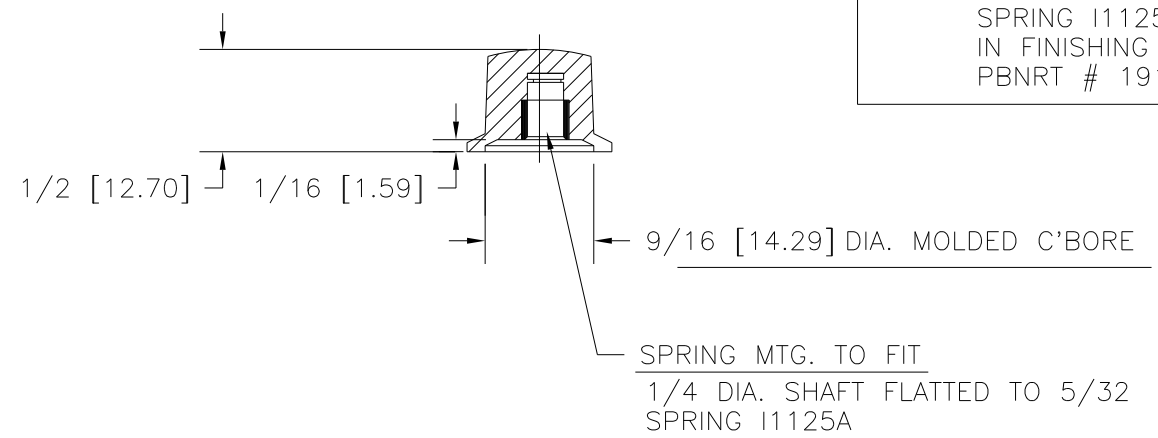
CAD/REDRAWN : 10/28/93 : HD

(A)

Painted indicator line in white
Located as shown, 180° from flat



NOTE : AFTER MOLDING PROCESS
FOR MTG. HOLE,
SPRING 11125A MUST BE INSTALLED
IN FINISHING DEPT. FOR COMPLETED
PBNRT # 1910-BN



MATERIAL: G.P. PHENOLIC (B11)
COLOR: BLACK

TOLERANCES: UNLESS OTHERWISE SPECIFIED	DO NOT SCALE DRAWING			
DECIMALS: X.XXX ± .005 X.XX ± .015	MM: X.XX ± 0.15MM X.X ± 0.4MM	-	UPDATED/HAD TOOLBOX	EV. 8/14/02
FRACTIONS ± 1/64	ANG. ± 1°	A	WAS I-376 SPRING	HD 10/28/93
CHANGES				