

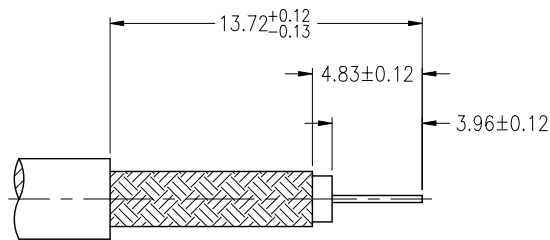
NOTES:

1. MATERIALS AND FINISHES:
 - BODY - BRASS, NICKEL PLATING
 - CONTACT - BRASS, SILVER PLATING
 - INSULATOR - PTFE, NATURAL
2. ELECTRICAL:
 - A. IMPEDANCE: 50 OHM
 - B. FREQUENCY RANGE: DC 0-4 GHz
 - C. DIELECTRIC WITHSTANDING VOLTAGE: 1500 VRMS, MIN.
3. MECHANICAL:
 - A. DURABILITY: 500 CYCLES MIN.
 - B. TEMPERATURE RANGE: - 65°C to +165°C

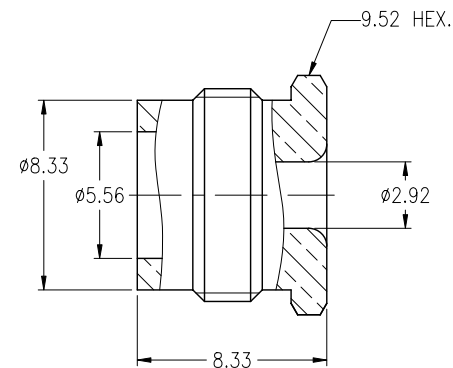
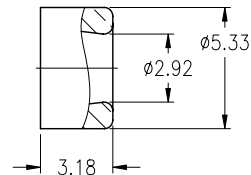
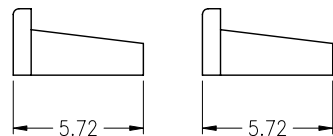
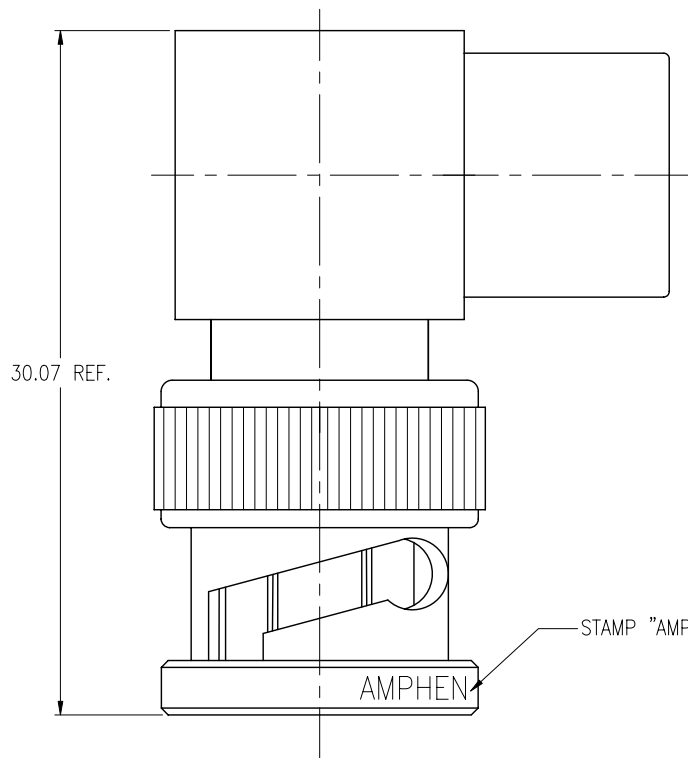
THIRD ANGLE PROJ.

REVISIONS

REV	DESCRIPTION	DATE	ECO	APPR
A1	SHELL WAS CHANGED	19-Feb-04		
A2	Q'TY OF BRAID CLAMP, BUSHING WERE CHANGED	23-Apr-04		
B	BODY-SA WAS CHANGED	27-Jul-04		
C	SHELL WAS CHANGED	26-Feb-08		AW
R	SPRING WAS CHANGED	23-Dec-10	47967	SH



RECOMMENDED
CABLE STRIPPING DIM'S



CUSTOMER OUTLINE DRAWING

ALL OTHER SHEETS ARE FOR INTERNAL USE ONLY

UNLESS OTHERWISE SPECIFIED, DIMENSIONS ARE IN METRIC AND TOLERANCES ARE: <0.5mm ±0.05mm 0.5 - 6mm ±0.1mm 6 - 30mm ±0.2mm 30 - 120mm ±0.3mm ANGLES ±1°	MATERIAL	DRAWN T.DENG	DATE 21-Dec-10	TITLE BNC ANGLE PLUG FOR RG174&188/U		Amphenol RF Danbury CT USA, Tainan Taiwan, Shenzhen China www.amphenolrf.com	
	REFERENCE	ENGINEER S.LI	DATE 21-Dec-10			DRAWING NO. 33275	
NOTICE - These drawings, specifications, or other data (1) are, and remain the property of Amphenol Corp. (2) must be returned upon request; and (3) are confidential and not to be disclosed to any person other than those to whom they are given by Amphenol Corp. The furnishing of these drawings, specifications, or other data by Amphenol Corp., or to any other person to anyone for any purpose is not to be regarded by implication or otherwise in any manner licensing, granting rights or permitting such holder or any other person to manufacture, use or sell any product, process or design, patented or otherwise, that may in any way be related to or disclosed by said drawings, specifications, or other data.	FINISH	APPROVED S.HSIEH	DATE 23-Dec-10	SCALE: 3/1	SHEET 2 OF 2	ITEM NO. 33275	
		CAD FILE F:\DWG\CNPD\33275-RSZ	DWG SIZE B	CODE ID 74868	REV R	PART NO. 33275	