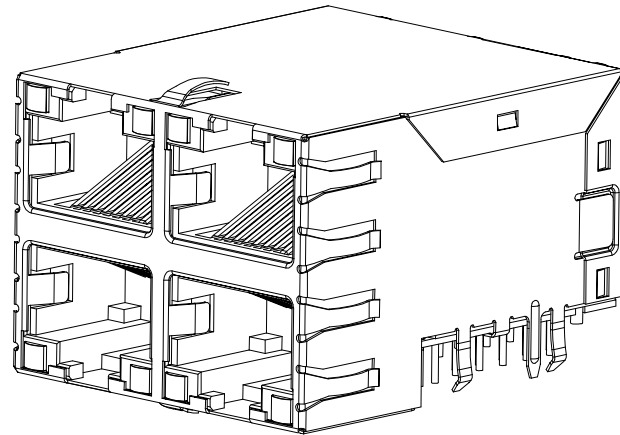


THIS DRAWING AND THE SUBJECT MATTER SHOWN THEREON ARE CONFIDENTIAL AND THE PROPERTY OF BEL/STEWART/TRP CONNECTOR AND SHALL NOT BE REPRODUCED, COPIED, OR USED IN ANY MANNER WITHOUT THE WRITTEN CONSENT OF TRP CONNECTOR.

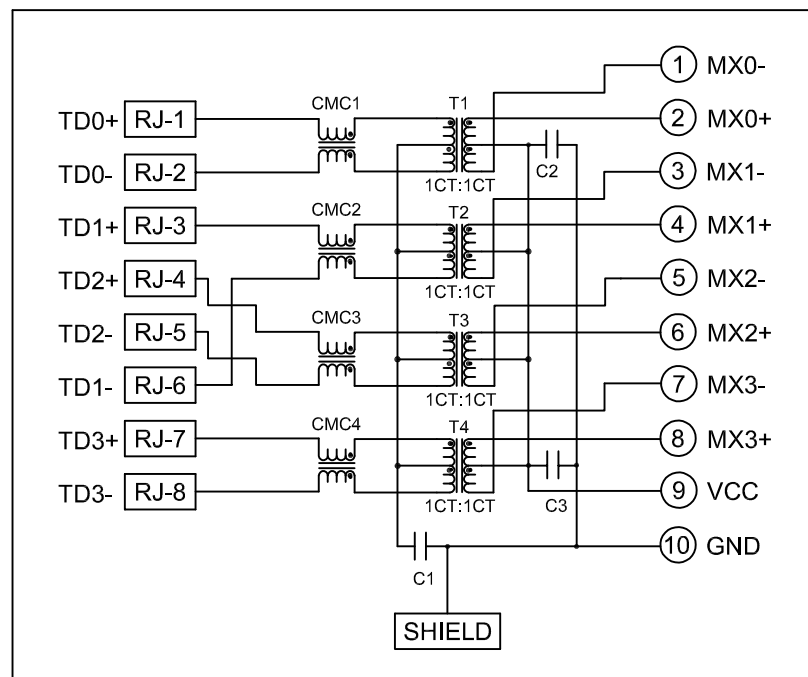
PRODUCT MAY BE PROTECTED BY ONE OR MORE OF THE FOLLOWING US PATENTS:  
 5736910 5939955 6425781 6428361 6554638 6840817 7123117  
 7429195 7717749 7808751 6217391 6149050 7924130

REVISIONS					
P	LTR	DESCRIPTION	DATE	DWN	APVD
E		EC-1411035, COMPANY LOGO CHANGE	11FEB2015	TR	TY



### S8G17 GIGABIT CIRCUIT

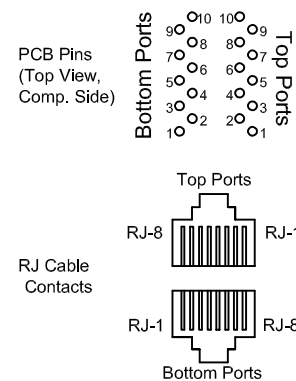
Top and Bottom Ports



- 1. C1 = 1000pF, 2KV, 10%, X7R
- 2. C2, C3 = 470pF, 10%, 50V

#### Pin Designations

(Repeat for each vertical pair of ports.)



- MATERIALS:
  - HOUSING: THERMOPLASTIC, BLACK, FLAMMABILITY RATING UL 94V-0.
  - SHIELD: BRASS, PREPLATED WITH 0.76um MIN SEMI-BRIGHT NICKEL, POST DIPPED WITH 2.54um MIN SAC SOLDER ON SOLDER TAILS.
  - CONTACTS: PHOSPHOR BRONZE, PLATED WITH 1.27um MIN OVERALL NICKEL UNDERPLATE, SELECTIVE 1.27um MIN GOLD AT MATING INTERFACE AND 2.54um MIN MATTE TIN ON SOLDER TAILS.
  - LED: DIFFUSED EPOXY LENS, CARBON STEEL LEAD FRAME LEADS, PREPLATED WITH 2.03um MIN SILVER OVER 1.02um MIN NICKEL OVER 1.02um MIN COPPER UNDERPLATE, POST PLATED WITH 2.54um MIN MATTE TIN AND/OR 2.54um MIN SAC SOLDER DIP OR PURE TIN SOLDER DIP.

- MAGNETICS
  - APPLICATION: 10/100/1000 BASE-T
  - IMPEDANCE: 100 OHMS
  - TURNS RATIO (CHIP:CABLE): 1:1 ALL FOUR PAIRS
  - OPEN CIRCUIT INDUCTANCE (OCL): 350uH MIN @100kHz, 0.1VRMS, 8mADC BIAS FROM 0 ° C TO 70 ° C, ALL FOUR PAIRS
  - ALL FOUR PAIRS BI-DIRECTIONAL
  - PERFORMANCE @ 25 ° C:
    - INSERTION LOSS (IL): 1.1dB MAX FROM 0.5MHz TO 100MHz
    - RETURN LOSS (RL): 18dB MIN FROM 0.5MHz TO 40MHz
    - 12-20LOG(f/80)dB MIN FROM 40.1MHz TO 100MHz
    - CROSSTALK ATTENUATION: 35dB MIN FROM 0.5MHz TO 40MHz
    - 33-20LOG(f/50)dB MIN FROM 40.1MHz TO 100MHz
    - COMMON MODE REJECTION RATIO (CMRR): 30dB MIN FROM 0.5MHz TO 100MHz
  - ISOLATION VOLTAGE: COMPLIES WITH IEEE802.3 2002, PARA 40.6.1.1, ITEM b.

- PART NUMBER, DATE CODE AND COUNTRY OF ORIGIN ARE LOCATED IN THE APPROXIMATE AREA SHOWN. DATE CODE "YY" IS THE YEAR, "WW" IS THE WEEK, "D" IS THE DAY OF WEEK, WITH SUNDAY="1".

- TRP AND AGENCY APPROVAL LOGO ARE LOCATED IN THE APPROXIMATE AREA SHOWN.

- RJ45 CAVITIES CONFORM TO FCC RULES AND REGULATION PART 68 SUBPART F.

- LEDS ARE DRIVEN WITH CONSTANT CURRENT AT APPROX. 20mA.
  - DOMINANT WAVELENGTH (AD)
    - GREEN, 568nm TYP AT IF=20mA
    - YELLOW, 588nm TYP AT IF=20mA
  - FORWARD VOLTAGE(VF)
    - GREEN, 2.2V TYP AT IF=20mA
    - YELLOW, 2.1V TYP AT IF=20mA

- INDICATED MAGNETIC CONNECTIONS ARE SYMMETRICAL AND SUPPORT AUTO-MDI/MDIX.

- OPERATING TEMPERATURE: FROM 0 ° C TO 70 ° C

- THE PARTS ARE RECOMMENDED FOR WAVE SOLDERING PROCESS, PEAK TEMPERATURE IS 265° C MAX, 10 SECONDS MAX. IT IS RECOMMENDED THAT THE CONNECTOR SHIELD AND BODY BE MASKED TO PROTECT IT FROM DIRECT EXPOSURE TO THE SOLDER WAVE TO AVOID DAMAGE TO THE CONNECTOR AND LEADS.

GREEN/YELLOW	GREEN/YELLOW	GREEN/YELLOW	GREEN/YELLOW	1	1840242-1
BOTTOM LED 2 (LEFT)	BOTTOM LED 1 (RIGHT)	TOP LED 2 (LEFT)	TOP LED 1 (RIGHT)	REAR PCB GND TABS	PART NUMBER

THIS DRAWING IS A CONTROLLED DOCUMENT.

DWN	DALE PAN	30JUL2007
CHK	KEITH ZHU	30JUL2007
APVD	TEDDY XIONG	30JUL2007

MODEL NAME: MAGJACK STACK NON-PoE

DESC: 2X2 S8G17 GIGABIT OFFSET W/ LED

SIZE: A2 CAGE CODE: C=1840242 DRAWING NO: 1840242 RESTRICTED TO: -

CUSTOMER DRAWING SCALE: NTS SHEET 1 OF 4 REV E

4

3

2

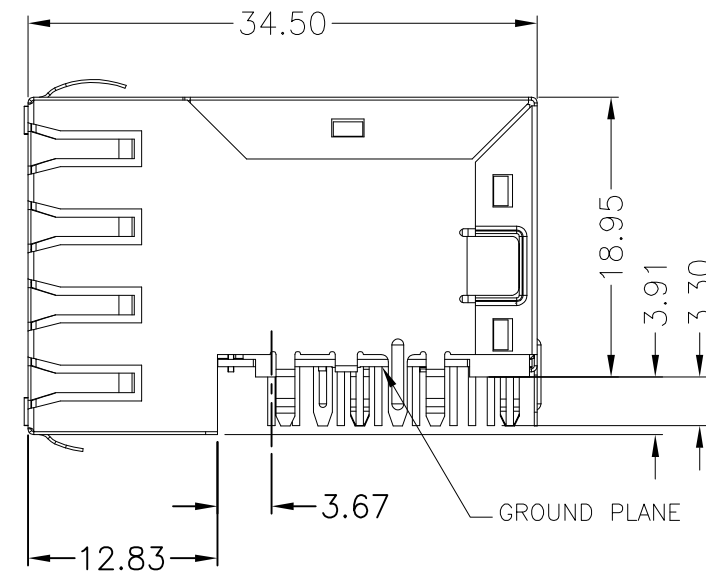
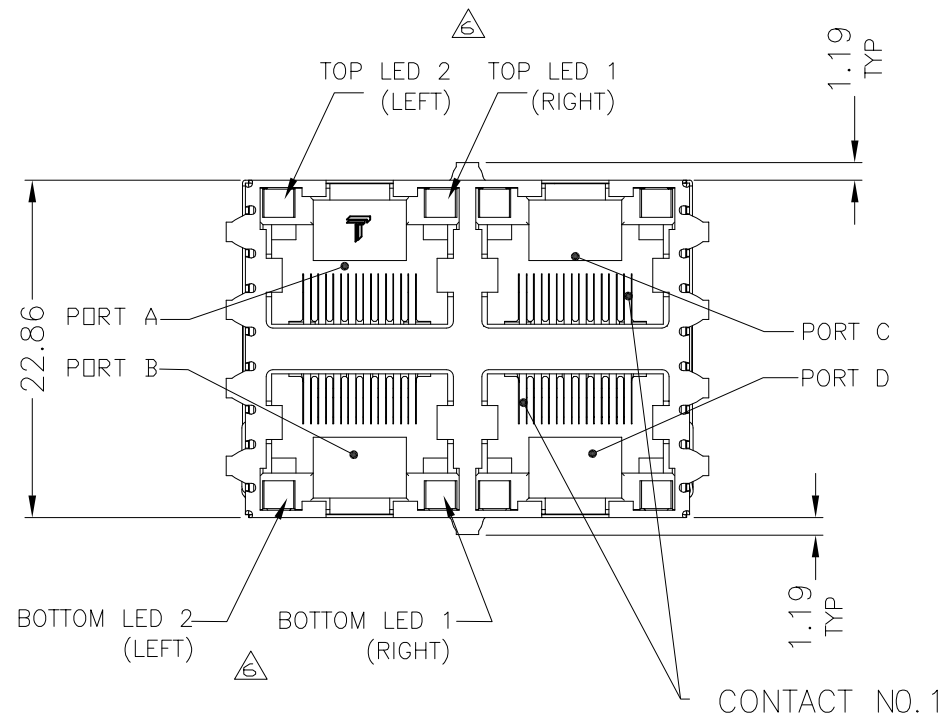
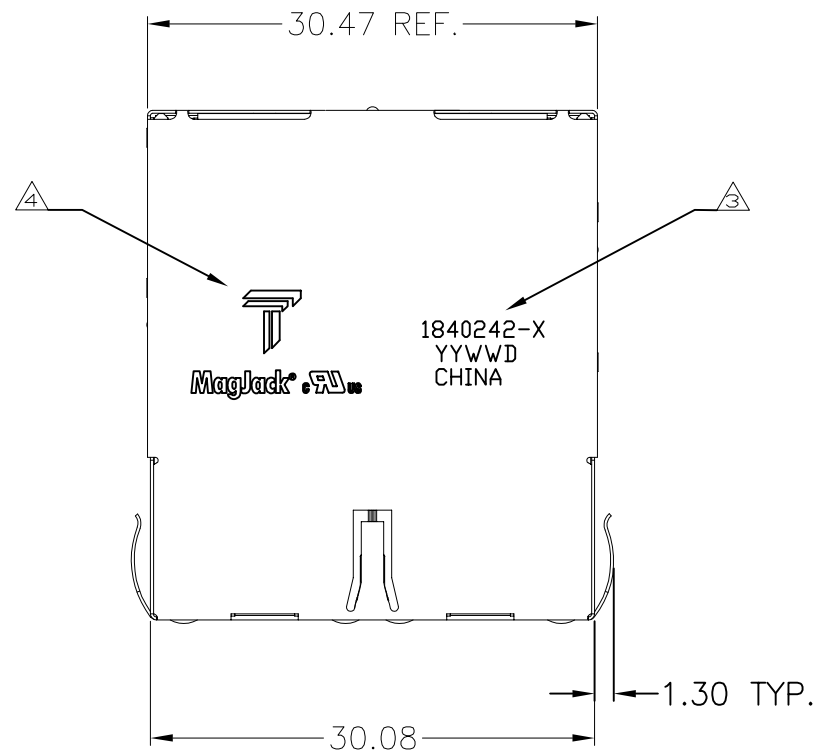
1


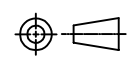
THIS DRAWING AND THE SUBJECT MATTER SHOWN THEREON ARE CONFIDENTIAL AND THE PROPERTY OF BEL/STEWART/TRP CONNECTOR AND SHALL NOT BE REPRODUCED, COPIED, OR USED IN ANY MANNER WITHOUT THE WRITTEN CONSENT OF TRP CONNECTOR.

PRODUCT MAY BE PROTECTED BY ONE OR MORE OF THE FOLLOWING US PATENTS:  
5736910 5939955 6425781 6428361 6554638 6840817 7123117  
7429195 7717749 7808751 6217391 6149050 7924130

REVISIONS

P	LTR	DESCRIPTION	DATE	DWN	APVD
E		EC-1411035, COMPANY LOGO CHANGE	11FEB2015	TR	TY

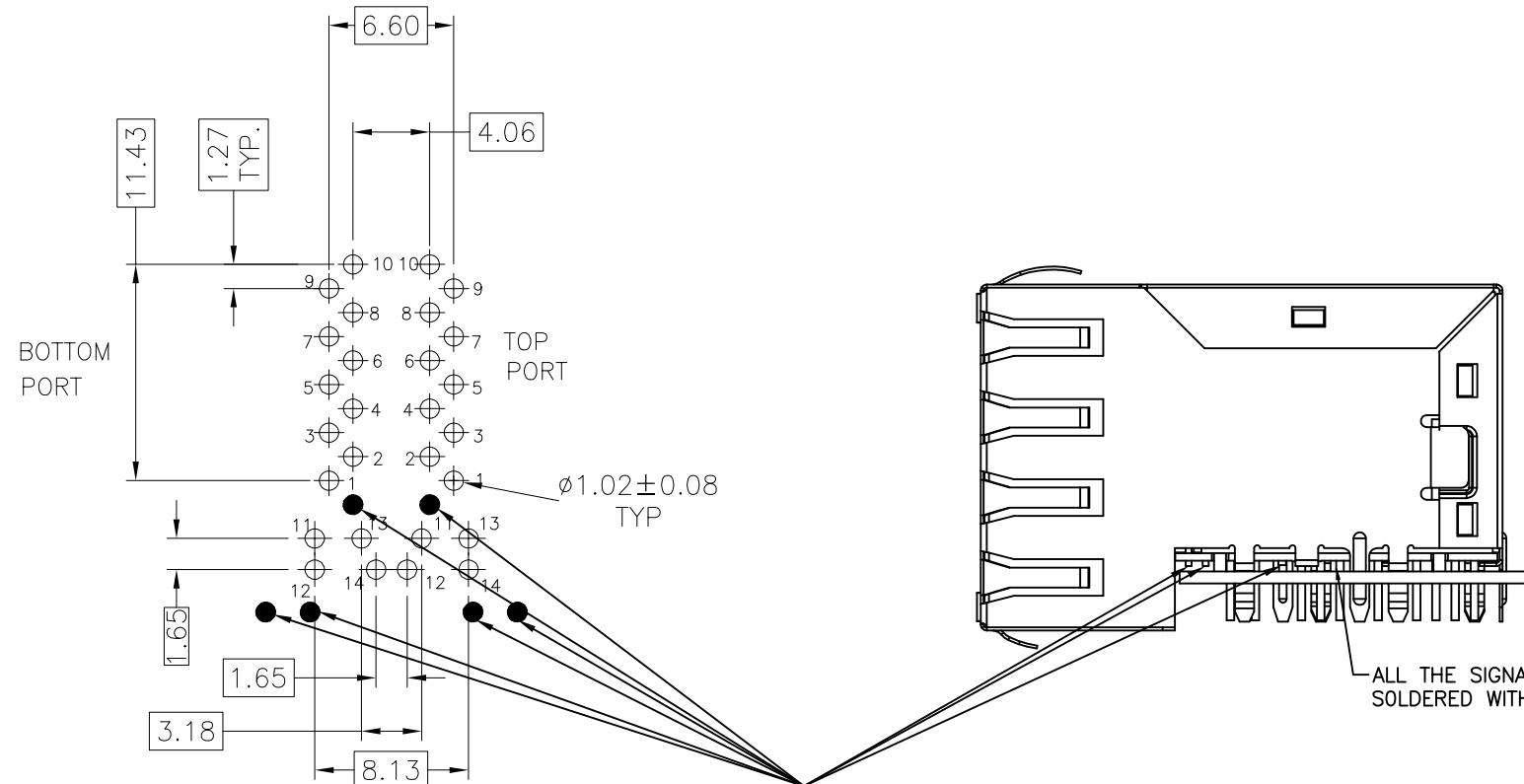
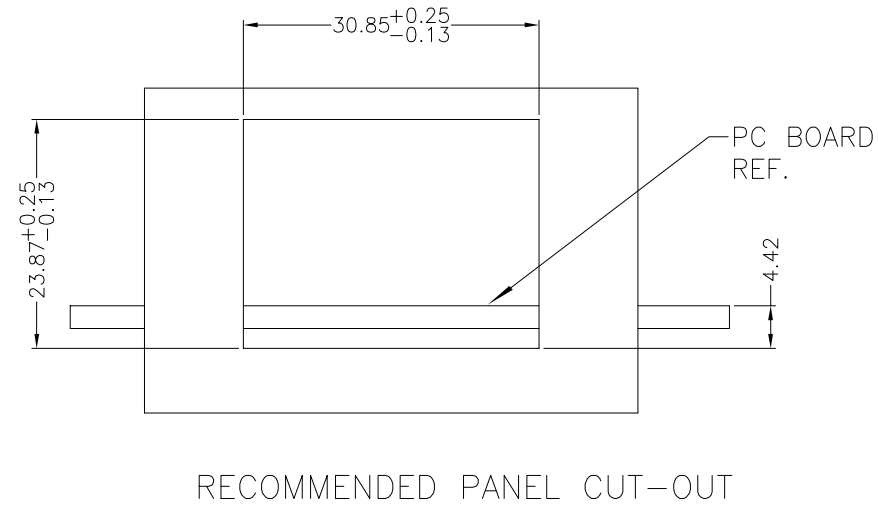
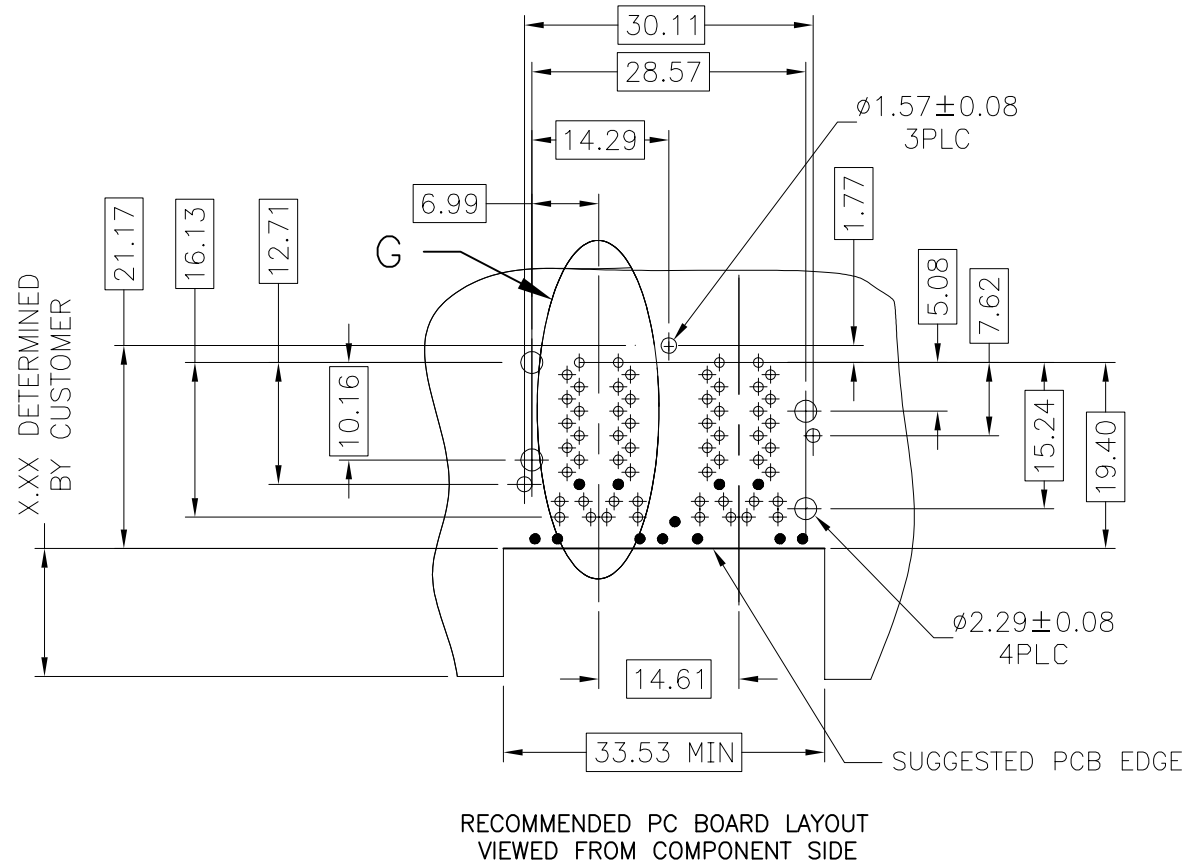


THIS DRAWING IS A CONTROLLED DOCUMENT.		DWN DALE PAN 30JUL2007	 <b>trp</b> CONNECTOR <small>a bel group</small>	DONGGUAN CHINA
DIMENSIONS: mm		CHK KEITH ZHU 30JUL2007		
		APVD TEDDY XIONG 30JUL2007		
TOLERANCES UNLESS OTHERWISE SPECIFIED:		MODEL NAME	DESC	
0 PLC ±0.25	1 PLC ±0.25	MAGJACK	2X2 S8G17 GIGABIT OFFSET W/ LED	
2 PLC ±0.25	3 PLC ±0.25	STACK NON-PoE	SIZE A2	CAGE CODE C=1840242
4 PLC ±0.25	ANGLES -	CUSTOMER DRAWING	RESTRICTED TO -	
APPLICATION SPEC -		SCALE NTS	SHEET 2 OF 4	REV E


THIS DRAWING AND THE SUBJECT MATTER SHOWN THEREON ARE CONFIDENTIAL AND THE PROPERTY OF BEL/STEWART/TRP CONNECTOR AND SHALL NOT BE REPRODUCED, COPIED, OR USED IN ANY MANNER WITHOUT THE WRITTEN CONSENT OF TRP CONNECTOR.

PRODUCT MAY BE PROTECTED BY ONE OR MORE OF THE FOLLOWING US PATENTS:  
 5736910 5939955 6425781 6428361 6554638 6840817 7123117  
 7429195 7717749 7808751 6217391 6149050 7924130

REVISIONS				
P	LTR	DESCRIPTION	DATE	APVD
E		EC-1411035, COMPANY LOGO CHANGE	11FEB2015	TR TY



PIN 0#, BOTTOM LED'S PIN ON MOD JACK AND BOTTOM PCB ARE STUB PINS WITH LENGTH SIMILAR TO PCB STANDOFF HEIGHT PRECAUTIONS SHOULD BE TAKEN IN PCB DESIGN TO GUARD AGAINST SHORTING TRACES TO STUB PINS

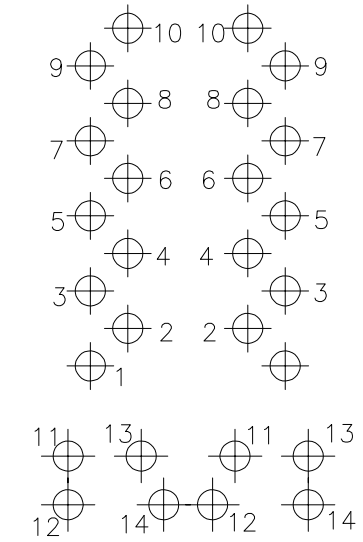
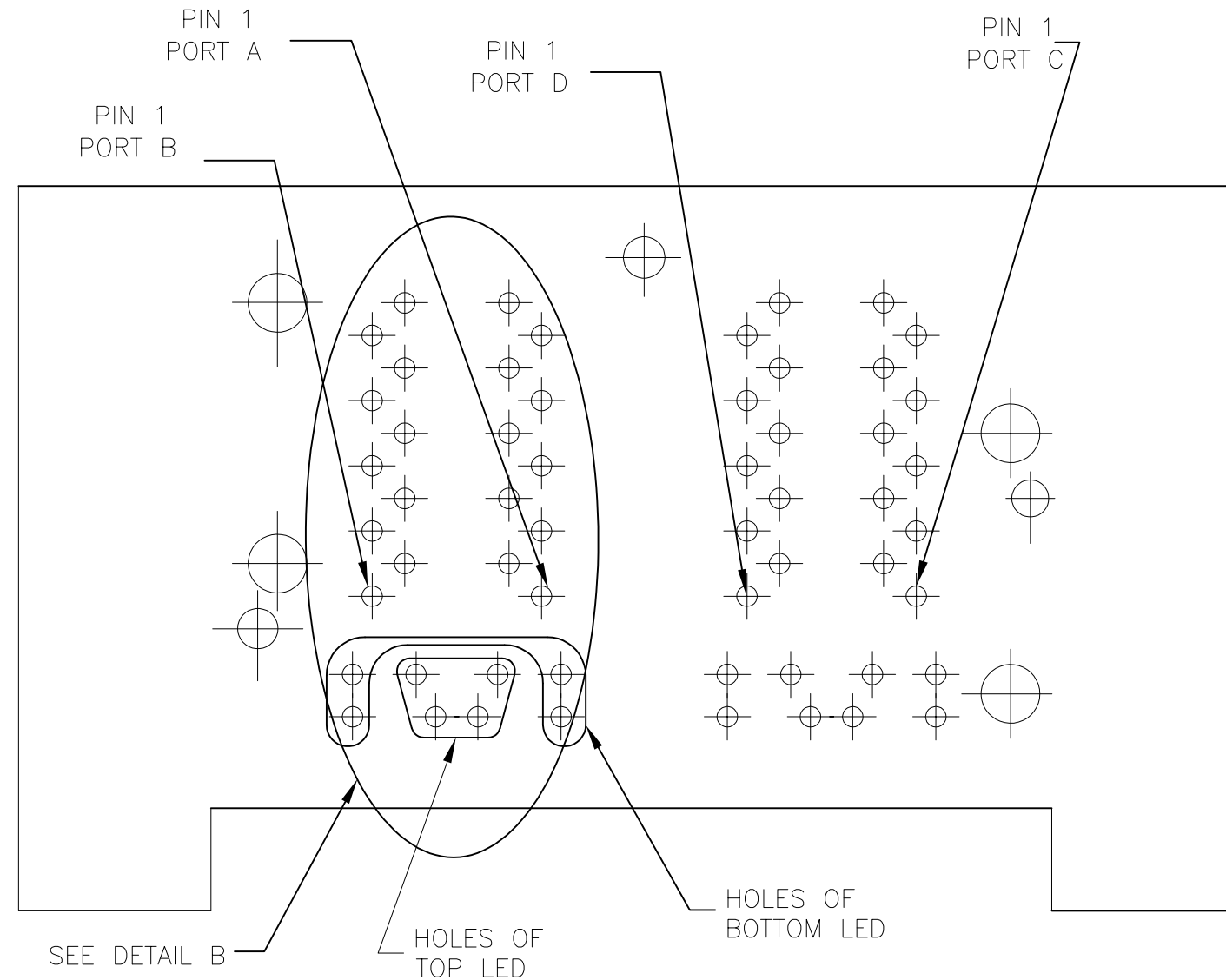
THIS DRAWING IS A CONTROLLED DOCUMENT.		DWN DALE PAN 30JUL2007	 <b>trp</b> CONNECTOR <small>a bel group</small>	DONGGUAN CHINA
DIMENSIONS: mm		CHK KEITH ZHU 30JUL2007		
TOLERANCES UNLESS OTHERWISE SPECIFIED:		APVD TEDDY XIONG 30JUL2007		
0 PLC ±0.25 1 PLC ±0.25 2 PLC ±0.25 3 PLC ±0.25 4 PLC ±0.25 ANGLES - APPLICATION SPEC -	PRODUCT SPEC -	MODEL NAME <b>MAGJACK</b> <b>STACK NON-PoE</b>	DESC <b>2X2 S8G17 GIGABIT OFFSET W/ LED</b>	SIZE A2 CAGE CODE C=1840242 DRAWING NO. 1840242 RESTRICTED TO -
CUSTOMER DRAWING			SCALE NTS	SHEET 3 OF 4

THIS DRAWING AND THE SUBJECT MATTER SHOWN THEREON ARE CONFIDENTIAL AND THE PROPERTY OF BEL/STEWART/TRP CONNECTOR AND SHALL NOT BE REPRODUCED, COPIED, OR USED IN ANY MANNER WITHOUT THE WRITTEN CONSENT OF TRP CONNECTOR.

PRODUCT MAY BE PROTECTED BY ONE OR MORE OF THE FOLLOWING US PATENTS:  
5736910 5939955 6425781 6428361 6554638 6840817 7123117  
7429195 7717749 7808751 6217391 6149050 7924130

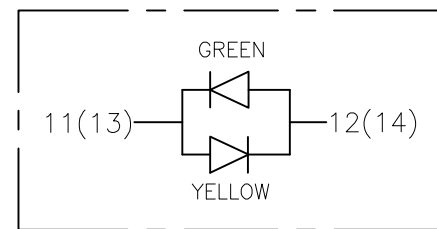
REVISIONS

P	LTR	DESCRIPTION	DATE	DWN	APVD
E		EC-1411035, COMPANY LOGO CHANGE	11FEB2015	TR	TY



DETAIL B

LED HOLE DESIGNATIONS  
VIEWED FROM COMPONENT SIDE



THIS DRAWING IS A CONTROLLED DOCUMENT.

DWN	DALE PAN	30JUL2007
CHK	KEITH ZHU	30JUL2007
APVD	TEDDY XIONG	30JUL2007
MODEL NAME		



DONGGUAN  
CHINA

DIMENSIONS:	TOLERANCES UNLESS OTHERWISE SPECIFIED:
mm	
	0 PLC ±0.25
	1 PLC ±0.25
	2 PLC ±0.25
	3 PLC ±0.25
	4 PLC ±0.25
	ANGLES -

PRODUCT SPEC	APPLICATION SPEC	MODEL NAME	DESC	SIZE	CAGE CODE	DRAWING NO	RESTRICTED TO
-	-	MAGJACK	2X2 S8G17 GIGABIT OFFSET W/ LED	A2	C=	1840242	-

CUSTOMER DRAWING	SCALE	SHEET	OF	REV
	NTS	4	4	E