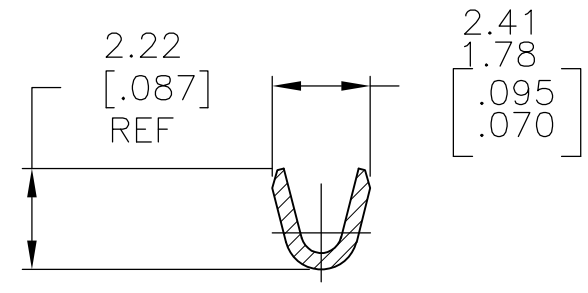
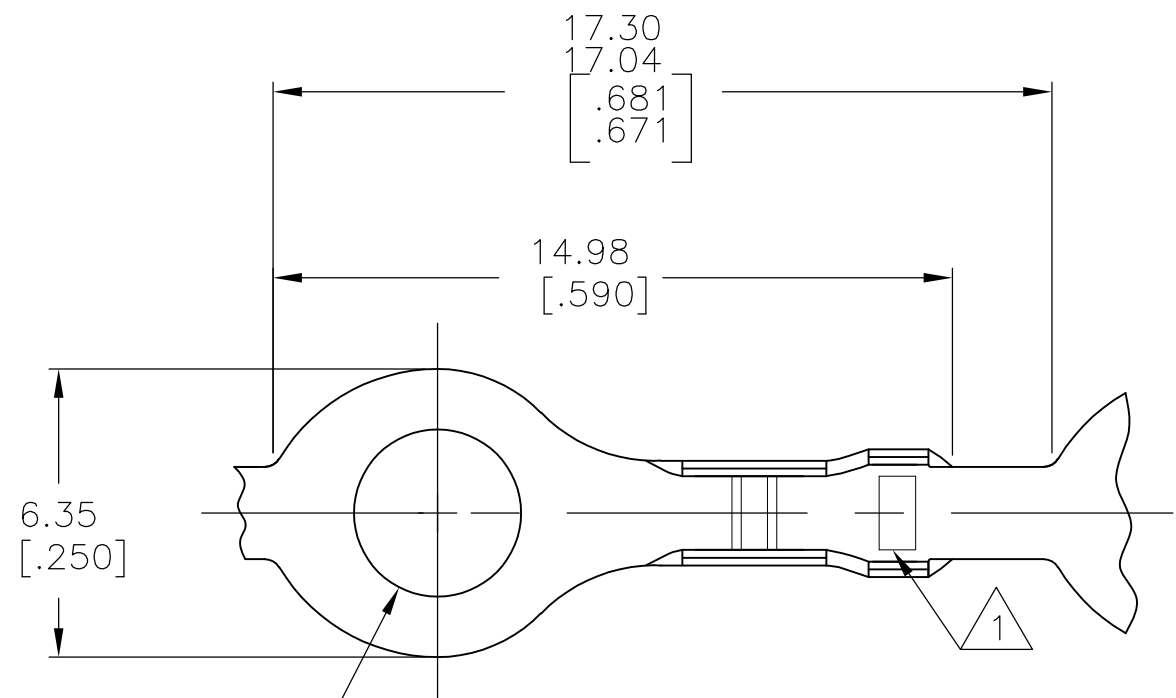


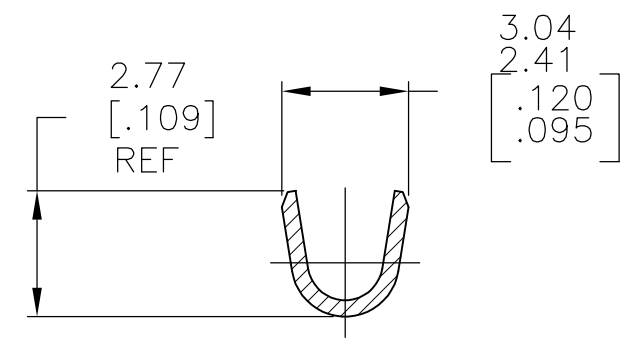
THIS DRAWING IS UNPUBLISHED. RELEASED FOR PUBLICATION
 © COPYRIGHT BY TYCO ELECTRONICS CORPORATION. ALL RIGHTS RESERVED.

LOC	DIST	REVISIONS					
AF	50	P	LTR	DESCRIPTION	DATE	DWN	APVD
			B2	REVISED PER ECR-09-024991	17NOV09	HMR	PD

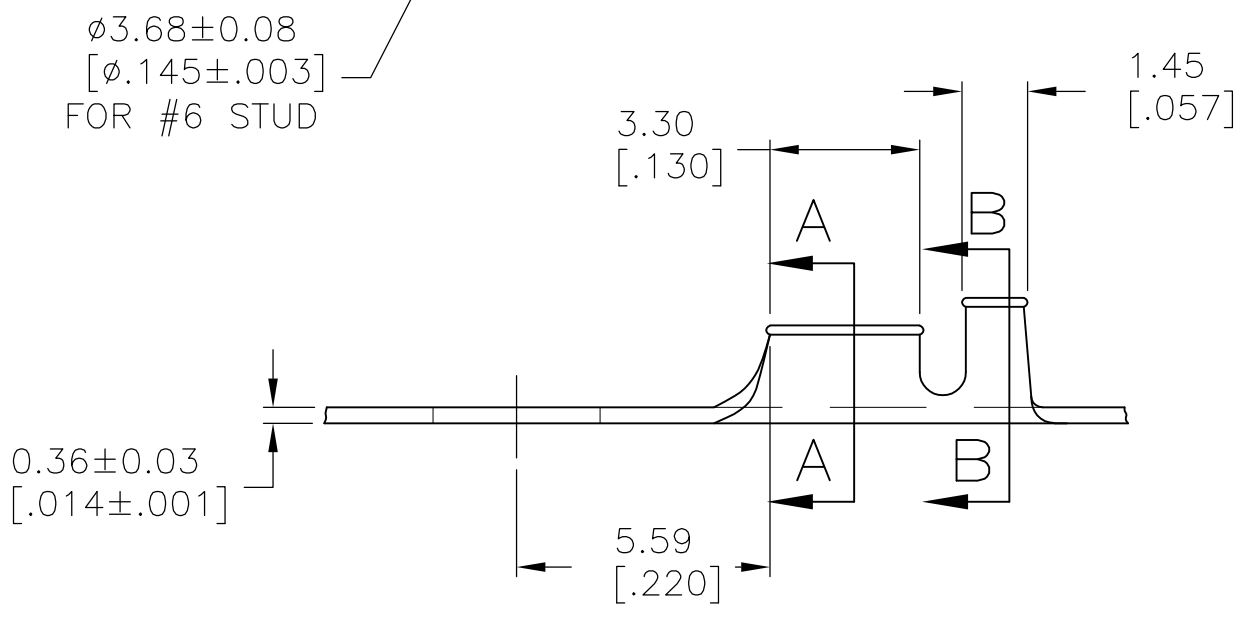
△ 1 STAMPING: AMP FOR 60553-1
 AMP* FOR 60553-3



SECTION A-A



SECTION B-B



24-20	1.22[.048]-1.98[.078]	PHOS BRONZE	60553-3
		BRASS	60553-1
WIRE SIZE AWG	INSULATION RANGE	MATERIAL	TERMINAL NUMBER

THIS DRAWING IS A CONTROLLED DOCUMENT.		DWN RAGHAVENDRA 07MAY08	Tyco Electronics Corporation Harrisburg, PA 17105-3608	
DIMENSIONS: mm [INCHES]	TOLERANCES UNLESS OTHERWISE SPECIFIED:	CHK JEFF RUTH 07MAY08	NAME	
	0 PLC ± -	APVD JEFF RUTH 07MAY08	RING	
	1 PLC ± -	PRODUCT SPEC	-	
	2 PLC ± -	APPLICATION SPEC	SIZE	CAGE CODE
	3 PLC ± 0.38 [.015]		A3	00779
	4 PLC ± -		DRAWING NO	C-60553
	ANGLES ± 1° 0'		RESTRICTED TO	-
MATERIAL SEE TABLE	FINISH TIN	WEIGHT -	CUSTOMER DRAWING	
		SCALE 6:1	SHEET 1 OF 1	REV B2