

SPECIFICATIONS:

MATERIAL:

MOULDING = NYLON 6T, UL94V-0, BLACK  
CONTACT = BRASS

FINISH:

CONTACT = GOLD FLASH OVER NICKEL

ELECTRICAL:

CURRENT RATING = 1A  
CONTACT RESISTANCE = 20mΩ MAX  
INSULATION RESISTANCE = 1000MΩ MIN  
DIELECTRIC STRENGTH = 1000V ACrms FOR ONE MINUTE

MECHANICAL:

DURABILITY = 300 CYCLES MIN

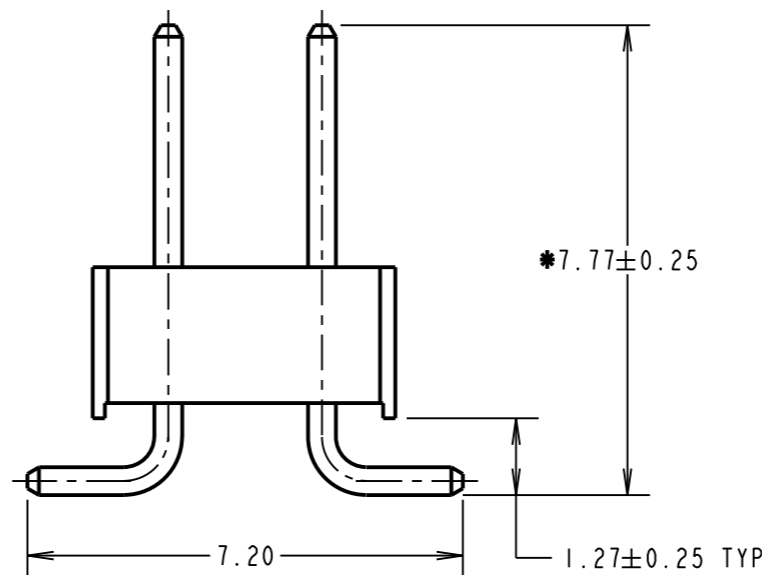
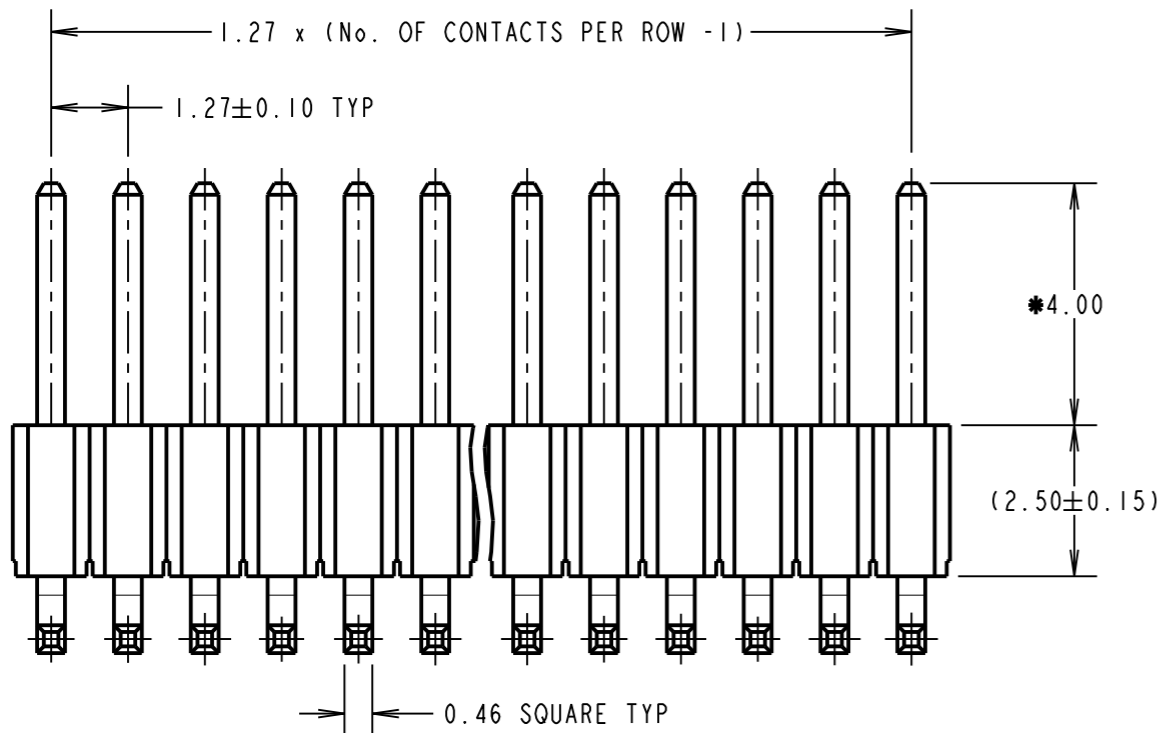
ENVIRONMENTAL:

TEMPERATURE RANGE = -40°C TO +105°C

PACKING:

BAG

FOR COMPLETE SPECIFICATION SEE  
COMPONENT SPECIFICATION C029XX (LATEST ISSUE)



NOTES:

- ALL DIMENSIONS AND NOTES MARKED \* ARE CRITICAL AND MUST BE CHECKED IN ACCORDANCE WITH QUALITY INSTRUCTION Q1-02.
- MAXIMUM PERMISSIBLE OUT OF SQUARE OF PIN TO MOULDING TO BE 0.15mm IN ANY DIRECTION.
- CONTACT LEG VARIATION ON COMPLETE ASSEMBLY NOT TO EXCEED 0.20mm.
- ALL TOLERANCES ARE ±0.20 UNLESS OTHERWISE STATED.
- \*5. ALL PRODUCT TO HAVE 'LEAD FREE' LABELLING ON ALL PACKAGING.

ORDER CODE:  
**M52-040000SXX45**

TOTAL No. OF CONTACTS: \_\_\_\_\_  
05, 10, 20, 25

FINISH: \_\_\_\_\_  
GOLD FLASH OVER NICKEL

|  |                 |
|--|-----------------|
| <br>HARWIN Europe (UK)<br>www.harwin.com<br>mis@harwin.co.uk | TOLERANCES      |
|  | X = ±1mm        |
|  | X.X = ±0.25mm   |
|  | X.XX = ±0.10mm  |
|  | X.XXX = ±0.01mm |
|  | ANGLES = ±5°    |
|  | UNLESS STATED   |



THIS DRAWING AND ANY INFORMATION OR DESCRIPTIVE MATTER SET OUT HEREON ARE CONFIDENTIAL AND COPYRIGHT PROPERTY OF THE HARWIN GROUP AND MUST NOT BE DISCLOSED, LOANED, COPIED OR USED FOR MANUFACTURING, TENDERING OR FOR ANY OTHER PURPOSE WITHOUT THEIR WRITTEN PERMISSION.

|           |                 |                 |  |
|-----------|-----------------|-----------------|--|
| MATERIAL: | SEE ABOVE       | TITLE:          | 1.27x2.54mm PITCH DIL SURFACE MOUNT PIN HEADER |
| FINISH:   | SEE ABOVE       | DRAWING NUMBER: | M52-040000SXX45                                |
| S/AREA:   | mm <sup>2</sup> |                 | SHT 1 of 1                                     |

|                |      |           |        |
|----------------|------|-----------|--------|
| SB             | 2    | 09.01.13  | 11906  |
| JMB            | 1    | 17.11.05  | ----   |
| NAME           | ISS. | DATE      | C/NOTE |
| APPROVED:      |      | S.BENNETT |        |
| CHECKED:       |      | S.FLOWER  |        |
| DRAWN:         |      | S.BENNETT |        |
| CUSTOMER REF.: |      |           |        |
| ASSEMBLY DRG:  |      |           |        |