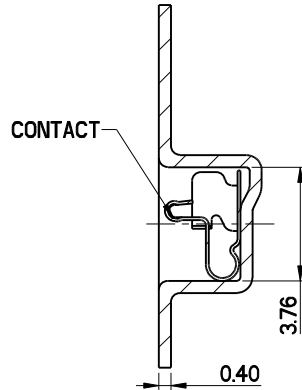
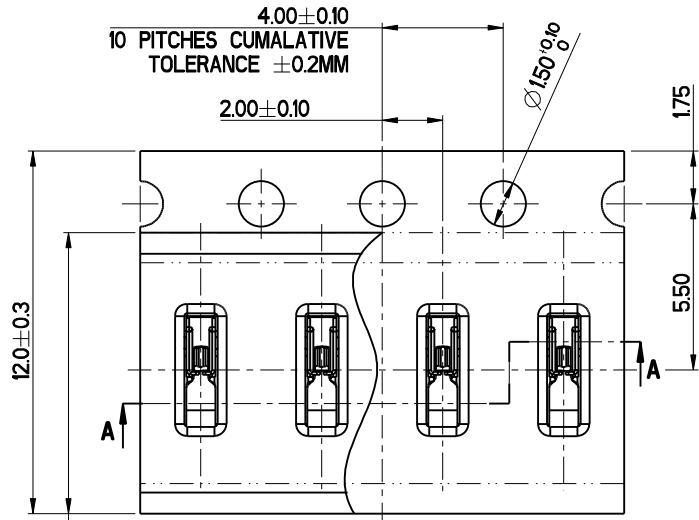


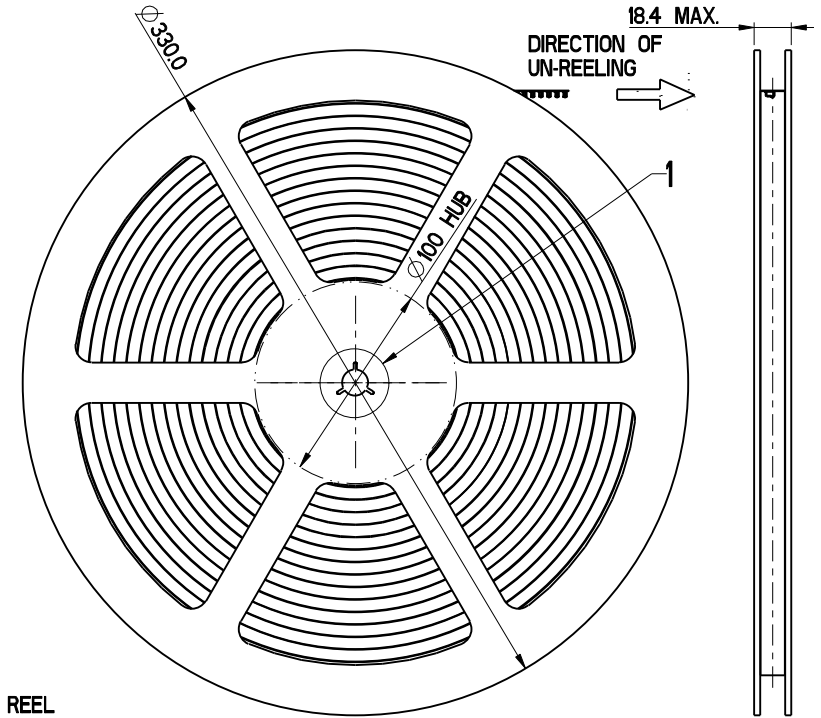
- NOTE:**
1. MATERIAL : TITANIUM COPPER 0.1 THICK
 2. FINISH: NICKEL UNDERPLATE 1.0/3.0 MICRONS
 3. PRE-LOAD FORCE: 0.35 N * CONTACT POINT
 4. FORCE * MAXIMUM DEFLECTION: 0.78 N * CONTACT POINT
 5. RINGED DIMENSIONS AND GEOMETRIC TOLERANCE ARE CRITICAL.

| | | | | | | | |
|---------------------|-------|-----------|-------------------|---|---------------------------------|--------------|---------|
| DO NOT SCALE | | | | | | A3/B | |
| Drawn | BILLS | 18-OCT-11 | Material: | Toupandun Industrial Area, Jinda Cheng, Xiner Village, Shajing Town, Baoan District, Shenzhen City PRC 518125 | Pro/E Generic Model | | |
| Checked | PL | 18-OCT-11 | SEE NOTES 1 | | Title | | |
| Engineer | BILLS | 18-OCT-11 | | | MICRO UNIVERSAL CONTACT Z 2.5mm | | |
| Manufact. | - | - | | | | | |
| Assembly | - | - | Treatment: | | | | |
| Quality | - | - | | Ref: "" | Scale 20:1 | Sheet 1 of 2 | iss/rev |
| Approvals | Sign | Date | Dimensions in: mm | Cust Spec No: | Drwg. No. CU-120220-0312 | | B |

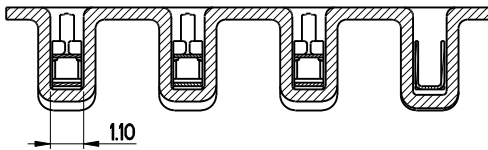
This is issued in strict confidence on condition that it is not used as a basis for manufacture or sale and that it is not copied, reprinted or disclosed to a third party either wholly or in part without the prior written consent of ITT Industries © 24-May-05



SECTION B-B



93 ANTI-STATIC COVER TAPE
POLYESTER - 0.025 THICK
PRESSURE SEAL

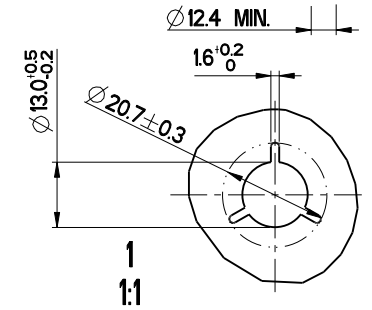
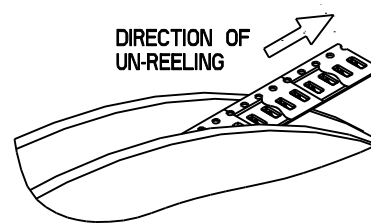


SECTION A-A

- NOTES:
 1, UNSPECIFIED INTERNAL RADII R0.2 MM MAX.
 2, CARRIER TAPE MATERIAL - BLACK CONDUCTIVE POLYSTYRENE.

PACKAGING DETAILS

- 1) 6000 PCS TO BE PACKED PER REEL
- 2) LEADER : 400 MM
- 3) TRAILER : 160 MM
- 4) REEL MATERIAL - BLACK ANTI-STATIC POLYSTYRENE



| | | | | | | | | | |
|---------------------|-------|-----------|-------------------|---|---|---|------|--|--|
| DO NOT SCALE | | | | | | | A3/B | | |
| Drawn | BILLS | 13-JUL-11 | Material: | 3rd ANGLE PROJECTION Surface Roughness Unless Specified | ITT Industries Cannon Electronics (SZ) Co. Ltd. | Toupandun Industrial Area, Jinda Cheng, Xiner Village, Shajing Town, Baoan District, Shenzhen City PRC 518125 | | Pro/E Generic Model | |
| Checked | PL | 13-JUL-11 | SEE NOTES 1 | | | Title | | MICRO UNIVERSAL CONTACT Z 2.5mm | |
| Engineer | BILLS | 13-JUL-11 | | | | Drwg. No. | | 120220-0312 | |
| Manufact. | - | . | Treatment: | | | Scale 1:1 | | Sheet 2 of 2 | |
| Assembly | - | . | Dimensions in: mm | Cust Spec No: | | Iss/rev | | B | |
| Quality | - | . | | | | | | | |
| Approvals | Sign | Date | | | | | | | |

This is issued in strict confidence on condition that it is not used as a basis for manufacture or sale and that it is not copied, reprinted or disclosed to a third party either wholly or in part without the prior written consent of ITT Industries © 24-May-05