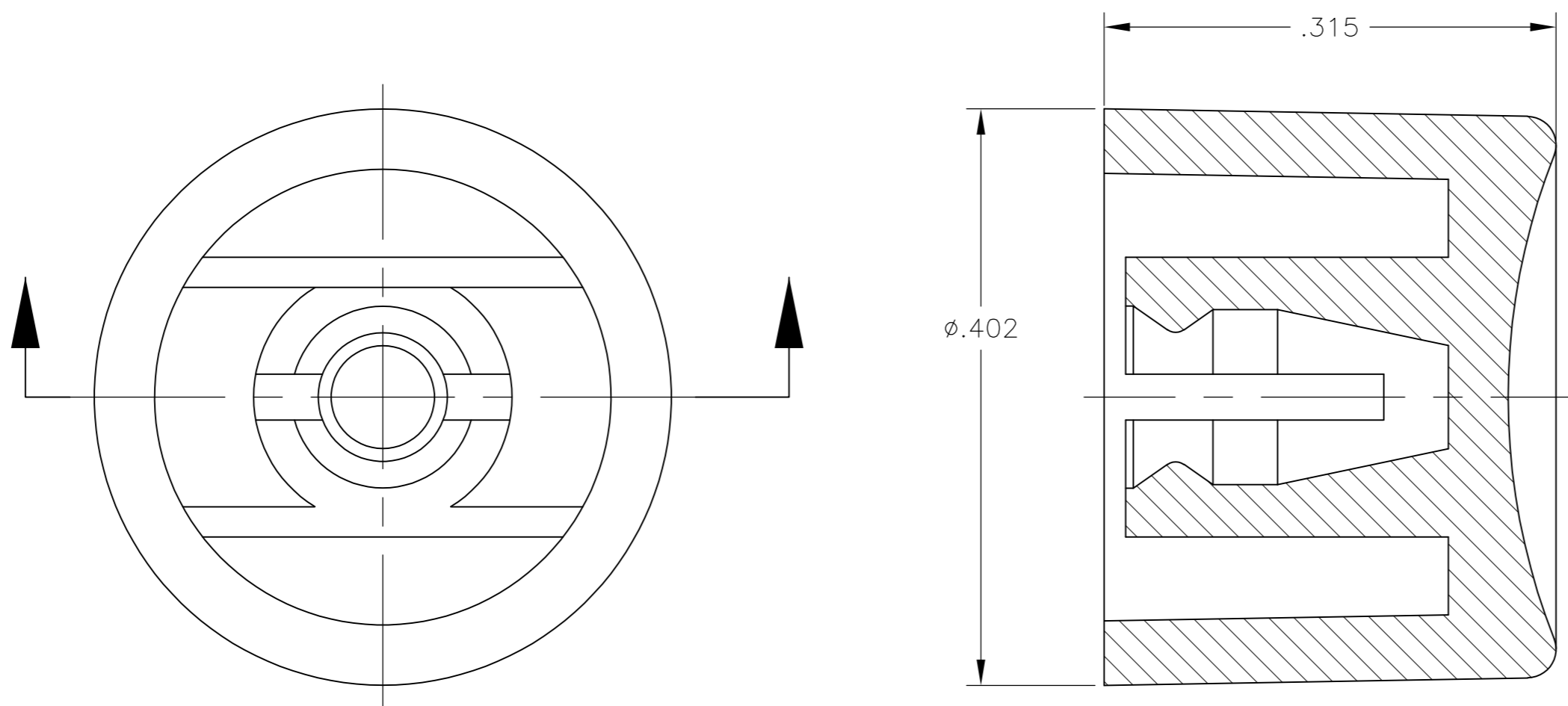


THIS DRAWING IS UNPUBLISHED. RELEASED FOR PUBLICATION
 © COPYRIGHT - By - ALL RIGHTS RESERVED.

LOC	DIST	REVISIONS					
		P	LTR	DESCRIPTION	DATE	DWN	APVD
AD	00		A1	REVISED PER ECO-11-004820	11MAR11	RK	HMR

1. MATERIAL SHALL COMPLY WITH EU DIRECTIVE 2002/95/EC OF 20JAN2003 (ROHS)
2. CAP FOR USE WITH GREEN SERIES PUSHBUTTON SWITCHES AS SHOWN ON DRAWINGS 1805040 AND 1805041.



WHITE	C22904	1825068-7
BLUE	C22604	1825068-6
GREEN	C22504	1825068-5
YELLOW	C22404	1825068-4
ORANGE	C22304	1825068-3
RED	C22204	1825068-2
BLACK	C22004	1825068-1
COLOR	ALCO PART NUMBER	PART NUMBER

THIS DRAWING IS A CONTROLLED DOCUMENT.		DWN	M.BINNER	30NOV04		TE Connectivity												
DIMENSIONS: INCHES		CHK	M.ZITTO	30NOV04		NAME												
		APVD	M.ZITTO	30NOV04		CAP, GREEN SERIES, PUSHBUTTON, C22												
TOLERANCES UNLESS OTHERWISE SPECIFIED: 0 PLC ± - 1 PLC ± - 2 PLC ± - 3 PLC ± .003 4 PLC ± - ANGLES ± 1°		PRODUCT SPEC				RESTRICTED TO												
MATERIAL	POLYAMIDE	FINISH			WEIGHT	-	SIZE	A2	CAGE CODE	00779	DRAWING NO	C=1825068	SCALE	10:1	SHEET	1 of 1	REV	A1
CUSTOMER DRAWING												SCALE	10:1	SHEET	1 of 1	REV	A1	