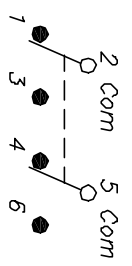
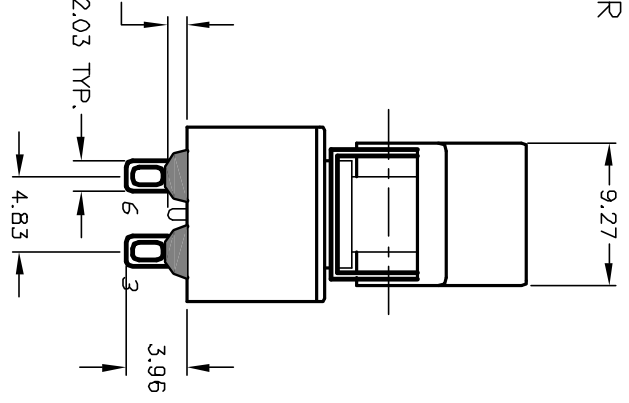
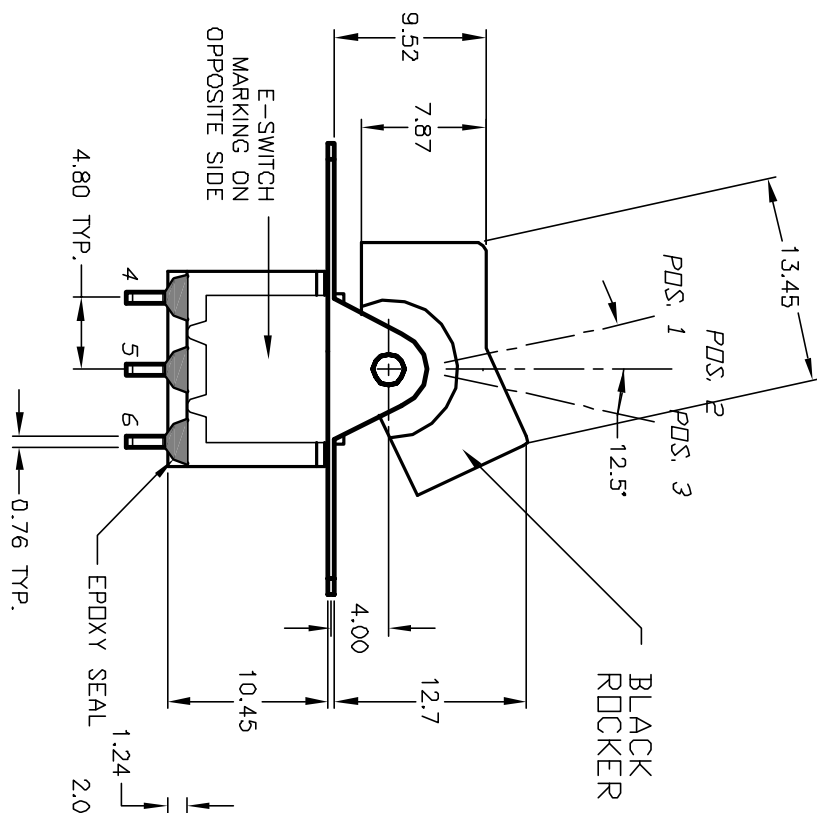


*BOTTOM VIEW
BRACKET CROPPED
FOR CLARITY*

RECOMMENDED PANEL MOUNTING

PANEL THICKNESS

▲ DIMENSION IS 15.75/15.88
FOR PANEL THICKNESS BETWEEN
1.52mm TD 3.18mm



SWITCH FUNCTION		
POS. 1	POS. 2	POS. 3
DN	OFF	DN
2-3,5-6	OPEN	2-1,5-4

NOTES:

1. ALL DIMENSIONS IN MM [INCH]
2. GENERAL TOLERANCE: X.X=±0.4
X.XX=±0.25
3. TERM. NOS. FOR REF. ONLY
4. RATING: 5A@ 120V AC or 28V DC;
2A@ 250V AC
5. MATERIAL: FIXED TERMINAL & MOVING CONTACT:
Copper Alloy w/Silver Plating
6. CONTACT RESISTANCE: 10mILLI Ohms max initial
@2-4VDC, 100mA for AG & AU
7. ELECTRICAL LIFE: 50,000 make-and-break
cycles at full load.
8. INSULATION RESISTANCE: 1,000M ohm min.
9. DIELECTRIC STRENGTH: 1000V RMS @sea level
10. OPERATING TEMP.: -30°C to 85°C

E-SWITCH®

300 DP-3 R1 BLK M1 Q E

REV.	ECN No.	DESCRIPTION	DATE	CHKD
A	12205	RELEASED FOR PRODUCTION	6/5/02	CB

TITLE	SCALE	DATE	DR	DWG	REV
300 DP-3 R1 BLK M1 Q E	2:1	6/5/02	CB	T323999	A

THE INFORMATION CONTAINED IN THIS DOCUMENT IS PROPRIETARY TO E-SWITCH AND IS NOT TO BE COPIED OR TRANSMITTED