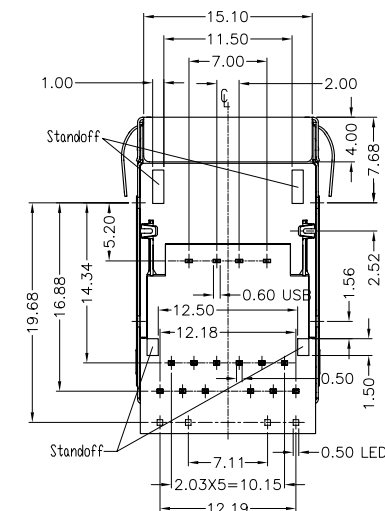
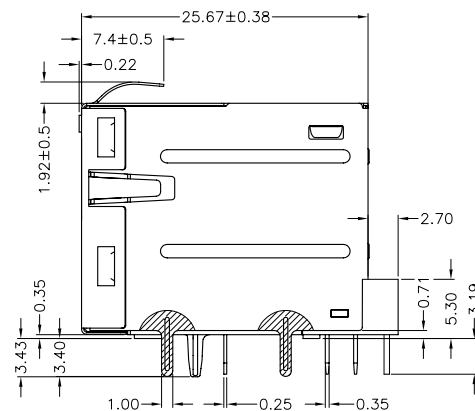
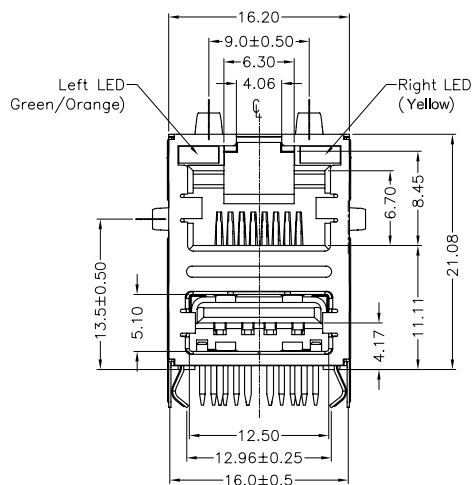
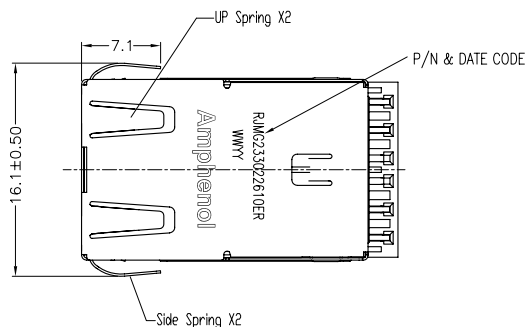
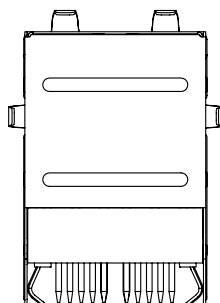


This document is the property of Amphenol Corporation and is delivered on the express condition that it is not to be disclosed, reproduced or used, in whole or in part, for manufacture or sale by anyone other than Amphenol Corporation without its prior consent, and that no right is granted to disclose or to use any information in this document.

CUSTOMER DRAWING ORIGINAL

| REVISIONS | | | | |
|-----------|---------|----------------------|-----------|----------|
| SYM | ECN No. | DESCRIPTION | DATE | APPROVED |
| A | | PRELIMINARY RELEASED | Jun.01.09 | Greg L |

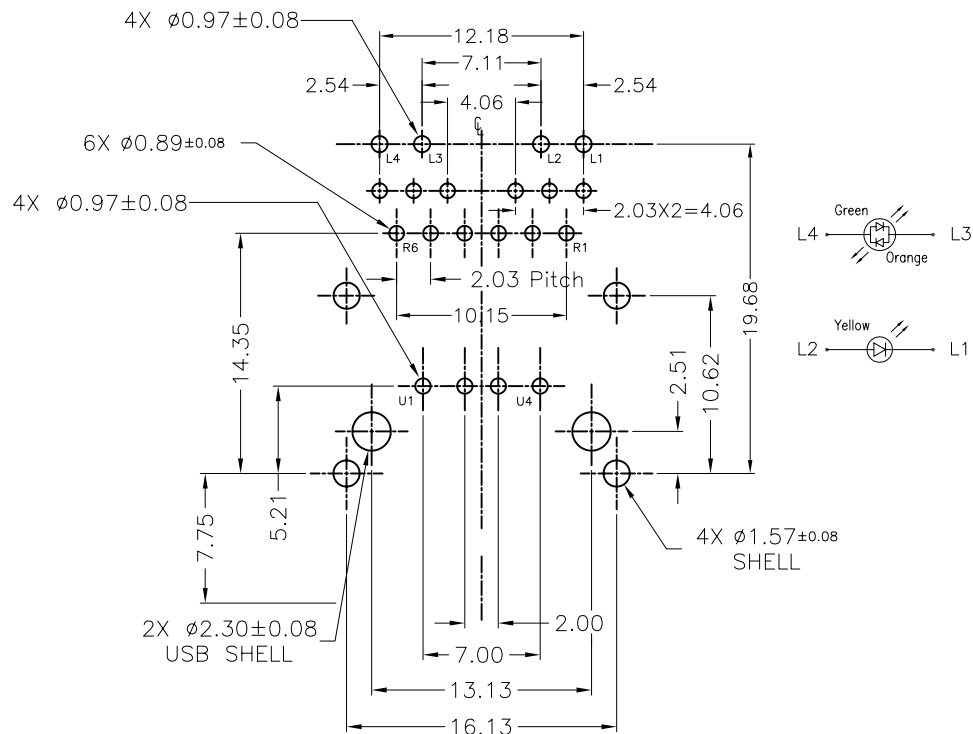


| TOLERANCE m/m | | APPROVALS | | DATE | TITLE | | Amphenol® Amphenol East Asia Ltd | |
|----------------------------|-------|-----------------------|--|-----------|-------------------|-----------------|-------------------------------------|--|
| x. | ±0.30 | DRAWN Stone Lee | | Jun.01.09 | RJmag 1000 Base-T | | SCALE N.A. SHEET 1 OF 3 | |
| x.x | ±0.25 | CHECKED Jason Zhan | | Jun.01.09 | RJ Over USB | | DRAWING NO. REV. | |
| x.xx | ±0.15 | APPROVED Greg L | | Jun.01.09 | | | RJMG233022610ER RJMG233022610ER A | |
| x.xxx | ±0.08 | | | | | | | |
| ANGULAR | ±2° | | | | | | | |
| UNLESS OTHERWISE SPECIFIED | | UNIT | | MM | SIZE | PART NO. | DRAWING NO. | |
| | | MM | | | A3 | RJMG233022610ER | RJMG233022610ER | |

This document is the property of Amphenol Corporation and is delivered on the express condition that it is not to be disclosed, reproduced or used, in whole or in part, for manufacture or sale by anyone other than Amphenol Corporation without its prior consent, and that no right is granted to disclose or to use any information in this document.

CUSTOMER DRAWING ORIGINAL

| REVISIONS | | | |
|-----------|---------|----------------------|------------------|
| SYM | ECN No. | DESCRIPTION | DATE APPROVED |
| A | | PRELIMINARY RELEASED | Jun.01.09 Greg L |

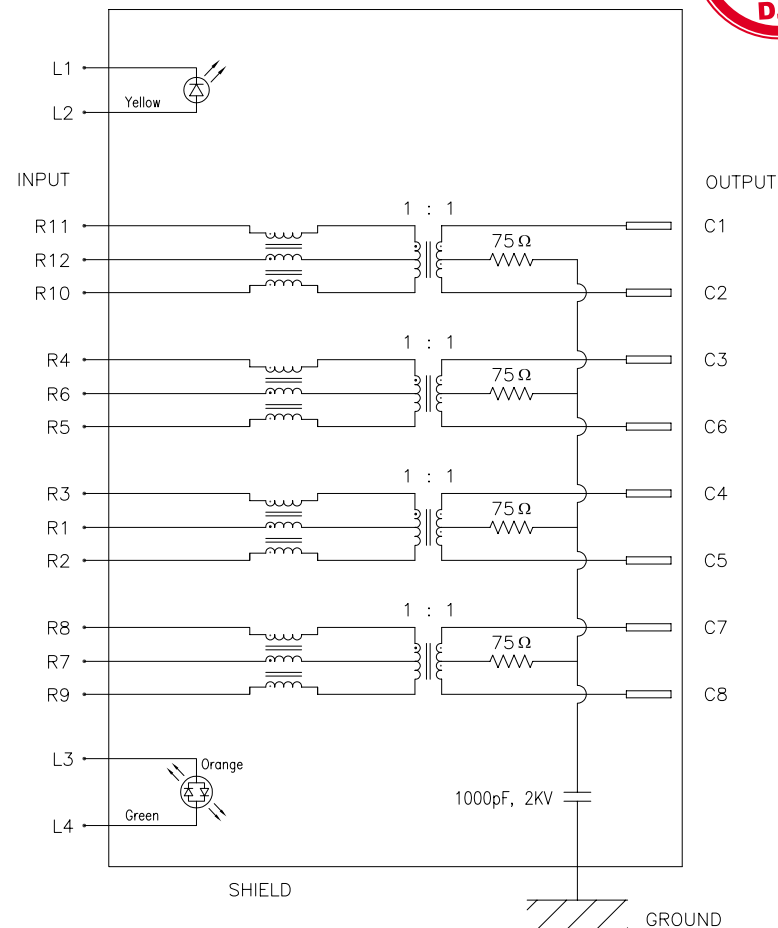


RECOMMENDED PCB LAYOUT
COMPONENT SIDE
PCB THICKNESS : 1.60mm
ALL DIMENSION TOLERANCE ARE ±0.05
UNLESS OTHERWISE SPECIFIED



LED PERFORMANCE

| Emitted Color | Yellow | Green/Orange |
|--------------------|-----------------|-----------------|
| Wavelength | 585nm | 568/610nm |
| Forward Current | 30mA Max. | 30mA Max. |
| Reverse Current | 100uA Max. @ 5V | 100uA Max. @ 5V |
| Forward Volt. Max. | 2.2 VDC | 2.2 VDC |



| TOLERANCE m/m | | APPROVALS | DATE | TITLE | Amphenol® Amphenol East Asia Ltd |
|----------------------------|-------|------------------------------|------------|--------------------------------|--|
| x. | ±0.30 | DRAWN Stone Lee | Jun.01.09 | RJmag 1000 Base-T | |
| x.x | ±0.25 | CHECKED Jason Zhan | Jun.01.09 | RJ Over USB | |
| x.xx | ±0.15 | APPROVED Greg L | Jun.01.09 | | |
| x.xxx | ±0.08 | | | | |
| ANGULAR | ±2° | | | | |
| UNLESS OTHERWISE SPECIFIED | | | UNIT MM | SIZE A3 | PART NO. RJMG233022610ER |
| | | | | DRAWING NO. RJMG233022610ER | REV. A |
| | | | | SCALE N.A. | SHEET 2 OF 3 |

This document is the property of Amphenol Corporation and is delivered on the express condition that it is not to be disclosed, reproduced or used, in whole or in part, for manufacture or sale by anyone other than Amphenol Corporation without its prior consent, and that no right is granted to disclose or to use any information in this document.

CUSTOMER DRAWING

ORIGINAL

| REVISIONS | | | | |
|-----------|---------|----------------------|-----------|----------|
| SYM | ECN No. | DESCRIPTION | DATE | APPROVED |
| A | | PRELIMINARY RELEASED | Jun.01.09 | Greg L |

MATERIALS:

1.Terminal Parts:

- 1.1.RJ Terminal :Phosphor Bronze,Thickness=0.30mm
Finish:30u" gold on contact area,100u" min. tin on solder tail area,underplating 50~100u" Nickel over all.
- 1.2.RJ input Terminal :Brass,Thickness=0.35mm
Finish:100u" min. tin over 50~100u" Nickel.
- 1.3.Module Terminal :Brass,Thickness=0.25mm
Finish:100u" min. tin over 50~100u" Nickel.
- 1.4.USB Terminal : Phosphor Bronze , Thickness=0.25mm
Finish:15u" gold on contact area,100u" min. tin on solder tail area,underplating 50~100u" Nickel over all.



ELECTRICAL SPECIFICATION(@25° C) CONNECTOR PERFORMANCE

| PARAMETER | LIMITS (MAX. OR MIN.) | FREQUENCY RANGE/ TEST CONDITIONS |
|-----------------------------|--|--|
| INSERTION LOSS (RX/TX) | -1.0dB MAX. | 1-100 MHz |
| RETURN LOSS (RX/TX) | -18dB MIN. -16dB MIN. -12dB MIN. -10dB MIN. | 1-30 MHz 30-60 MHz 60-80 MHz 80-100 MHz |
| CM-CM REJECTION | -30dB MIN. | 1-100 MHz |
| CROSSTALK ISOLATION (RX/TX) | -30dB MIN. | 1-100 MHz |
| HIPOT (ISOLATION) | 1.5kVrms MIN. | 60 Sec. |
| OCL | 350uH MIN. | 100KHz 100mV 8mA |
| TURN RATIO | 1:1±5% | |

2.Plastic Parts:

- 2.1.Housing : Thermoplastic , PBT , Black ;UL FILE No. : E130155
Grade:1410, Flame Class:UL94 V-0
- 2.2.Coil Case : Thermoplastic,PBT,UL FILE No. : E130155
Grade:1410, Flame Class:UL94 V-0
- 2.3.Spacer : Thermoplastic,PBT,UL FILE No. : E130155
Grade:1410, Flame Class:UL94 V-0

3.Shell Parts:

- 3.1.Shell : Stainless,Thickness=0.20mm,
Grounding Leg : Pre-soldering.
- 3.2.Grounding Leg of USB : Brass , Thickness=0.25mm
Finish : 100m? min. Tin over 50~100m? min. Nickel

OTHERS:

- 1.Operating Temperature : 0°C TO +70°C
- 2.Storage Temperature : -40°C TO +85°C
- 3.JACK CAVITY CONFORMS TO FCC RULES AND REGULATIONS
PART 68 , SUBPART F

| TOLERANCE m/m | | APPROVALS | DATE | TITLE | | Amphenol® Amphenol East Asia Ltd | | |
|----------------------------|-------|-----------------------|-----------|-------------------|------|-------------------------------------|-----------------|------|
| x. | ±0.30 | DRAWN Stone Lee | Jun.01.09 | RJmag 1000 Base-T | | SCALE N.A. SHEET 3 OF 3 | | |
| x.x | ±0.25 | CHECKED Jason Zhan | Jun.01.09 | RJ Over USB | | | | |
| x.xx | ±0.15 | APPROVED Greg L | Jun.01.09 | | | | | |
| x.xxx | ±0.08 | | | | | | | |
| ANGULAR ±2° | | | | UNIT | SIZE | PART NO. | DRAWING NO. | REV. |
| UNLESS OTHERWISE SPECIFIED | | | | MM | A3 | RJMG233022610ER | RJMG233022610ER | A |