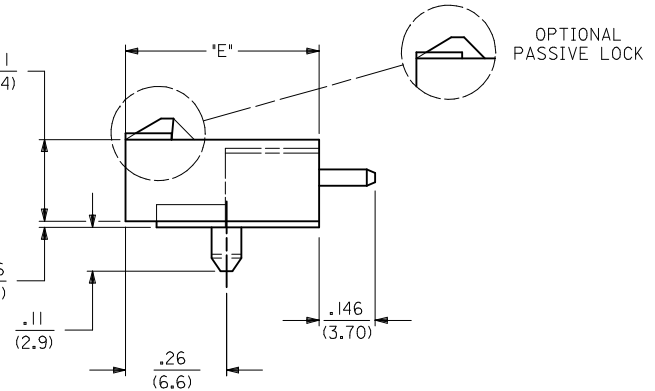
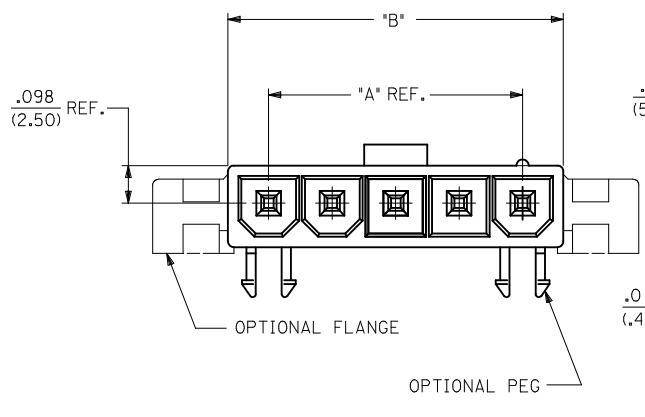
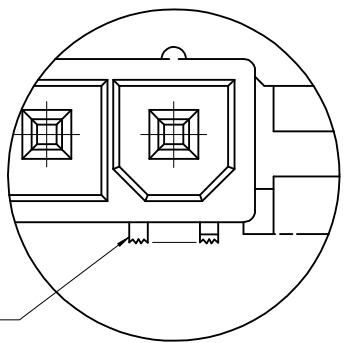


CIRCUIT SIZE	DIM. "A"	DIM. "B"	DIM. "C"	DIM. "D"	DIM. "E"
3	.331 (8.40)	.543 (13.80)	.685 (17.40)	.937 (23.80)	.490 (12.45)
4	.496 (12.60)	.709 (18.00)	.850 (21.60)	1.102 (28.00)	.504 (12.80)
5	.661 (16.80)	.874 (22.20)	1.016 (25.80)	1.268 (32.20)	.504 (12.80)
6	.827 (21.00)	1.039 (26.40)	1.181 (30.00)	1.433 (36.40)	.504 (12.80)
7	.992 (25.20)	1.205 (30.60)	1.346 (34.20)	1.598 (40.60)	.504 (12.80)
8	1.157 (29.40)	1.370 (34.80)	1.512 (38.40)	1.764 (44.80)	.504 (12.80)
9	1.323 (33.60)	1.535 (39.00)	1.677 (42.60)	1.929 (49.00)	.504 (12.80)
10	1.488 (37.80)	1.701 (43.20)	1.843 (46.80)	2.094 (53.20)	.504 (12.80)
11	1.654 (42.00)	1.866 (47.40)	2.008 (51.00)	2.260 (57.40)	.504 (12.80)
12	1.819 (46.20)	2.031 (51.60)	2.173 (55.20)	2.425 (61.60)	.504 (12.80)



- NOTES:**
- HOUSING MATERIAL:
 - "A" - NYLON 6/6, U.L. 94V-2, COLOR: NATURAL.
 - "B" - NYLON 6/6, U.L. 94V-0, COLOR: NATURAL.
 - TERMINAL MATERIAL: BRASS, ALLOY
 - TERMINAL PLATING:
 - "A" - .000100/(0.00254) MIN. MATTE TIN OVER .000050/(0.00127) MIN. NICKEL
 - "B" - .000030/(0.00076) MIN. SELECT GOLD AND .000100/(0.00254) MIN. SELECT MATTE TIN OVER .000050/(0.00127) MIN. NICKEL OVERALL
 - PRODUCT SPECIFICATION: PS-5556-001
 - PACKAGING SPECIFICATION: PK-43242-001
 - PART MATES WITH MINI-FIT JR. RECEPTACLE #5557.
 - MOUNTING OPTIONS:
 - "1" - PEGS
 - "2" - FLANGES
 - "3" - PEGS REMOVED
 - LOCK RAMP STYLES:
 - "1" - POSITIVE LOCK
 - "2" - PASSIVE LOCK
 - ITEM NUMBERS PRECEDED BY AN "X" ARE NOT AVAILABLE.
 - DISCOLORATION IN THE BANDOLIER CARRIER AREA OF THE PIN IS INHERENT TO THE PLATING PROCESS AND IS DUE TO THE MASKING EFFECT OF THE CARRIER. THIS DISCOLORATION IS IN A NON-FUNCTIONAL AREA OF THE PIN AND WILL NOT AFFECT THE PERFORMANCE OF THE HEADER ASSEMBLY.
 - PART CONFORMS TO CLASS "B" REQUIREMENTS OF COSMETIC SPECIFICATION PS-45499-002.

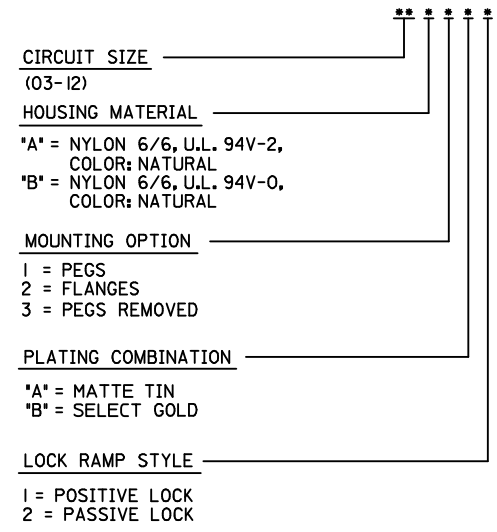


DETAIL A
SHOWING PEG REMOVED OPTION (TYPICAL)

ADD PK TO NOTE 4 EC NO: UCP2013-0433 DRW: NGUYEN 2012/08/01 CHKD: JELL 2012/08/01 APPR: FSMITH 2012/08/09 REV: C2	QUALITY SYMBOLS ▽=0 ▽=0 ▽=0	GENERAL TOLERANCES (UNLESS SPECIFIED) <table border="1"> <tr> <th></th> <th>mm</th> <th>INCH</th> </tr> <tr> <td>4 PLACES ±</td> <td>---</td> <td>±---</td> </tr> <tr> <td>3 PLACES ±</td> <td>---</td> <td>±.015</td> </tr> <tr> <td>2 PLACES ±</td> <td>.38</td> <td>±---</td> </tr> <tr> <td>1 PLACE ±</td> <td>---</td> <td>±---</td> </tr> </table>		mm	INCH	4 PLACES ±	---	±---	3 PLACES ±	---	±.015	2 PLACES ±	.38	±---	1 PLACE ±	---	±---	DIMENSION STYLE IN/MM	SCALE 4:1	DESIGN UNITS METRIC	THIRD ANGLE PROJECTION
		mm	INCH																		
	4 PLACES ±	---	±---																		
	3 PLACES ±	---	±.015																		
2 PLACES ±	.38	±---																			
1 PLACE ±	---	±---																			
DRAFT WHERE APPLICABLE MUST REMAIN WITHIN DIMENSIONS		DRAWN BY: NGUYEN DATE: 2012/01/24 CHECKED BY: GEP DATE:	MATERIAL NO. SEE SHEET 2	SELECTIVELY LOADED SINGLE ROW VERT HDR ASSY MINI-FIT JR		SHEET NO. 1 OF 2															
		APPROVED BY: FSMITH DATE: 2012/02/02	MOLEX INCORPORATED	SDA-43242-*																	
THIS DRAWING CONTAINS INFORMATION THAT IS PROPRIETARY TO MOLEX INCORPORATED AND SHOULD NOT BE USED WITHOUT WRITTEN PERMISSION																					

ITEM NO.	CKT. SIZE	CHARACTERISTIC DESCRIPTION	MOUNTING OPTION	PLATING	LETTER INDICATES PLATING AT EACH CKT., SEE NOTE 5											
					1	2	3	4	5	6	7	8	9	10	11	12
43242-0001	03	03B I A I	PEG	A	A	A	A	-	-	-	-	-	-	-	-	-
43242-0002	04	04B I A I	PEG	A	A	A	A	A	-	-	-	-	-	-	-	-
43242-0003	05	05B I A I	PEG	A	A	A	A	A	A	-	-	-	-	-	-	-
43242-0004	04	04A I A I	PEG	A	A	A	A	A	-	-	-	-	-	-	-	-
43242-0005	03	03B3A I	PEGS REMOVED	A	A	A	A	-	-	-	-	-	-	-	-	-
43242-0006	04	04B3A I	PEG REMOVED	A	A	A	A	A	-	-	-	-	-	-	-	-

CHARACTERISTICS LEGEND:



SEE SHEET 1 EC NO: UCP2013-0433 DRAWN: NGUYEN 2012/08/01 CHKD: BELL 2012/08/01 APPR: FSMITH 2012/08/09	QUALITY SYMBOLS 	GENERAL TOLERANCES (UNLESS SPECIFIED)		DIMENSION STYLE IN/MM		SCALE 1:1	DESIGN UNITS METRIC	THIRD ANGLE PROJECTION		
		4 PLACES ± --- ± ---		DRAWN BY DATE NGUYEN 2012/01/24		TITLE SELECTIVELY LOADED SINGLE ROW VERT HDR ASSY MINI-FIT JR		MOLEX INCORPORATED		
		3 PLACES ± --- ± .015		CHECKED BY DATE GEP						
		2 PLACES ± .38 ± ---		APPROVED BY DATE FSMITH 2012/02/02		MATERIAL NO. SDA-43242-*		DOCUMENT NO.		SHEET NO. 2 OF 2
1 PLACE ± --- ± ---		ANGULAR ±1/2°		DRAFT WHERE APPLICABLE MUST REMAIN WITHIN DIMENSIONS		SIZE C		THIS DRAWING CONTAINS INFORMATION THAT IS PROPRIETARY TO MOLEX INCORPORATED AND SHOULD NOT BE USED WITHOUT WRITTEN PERMISSION		