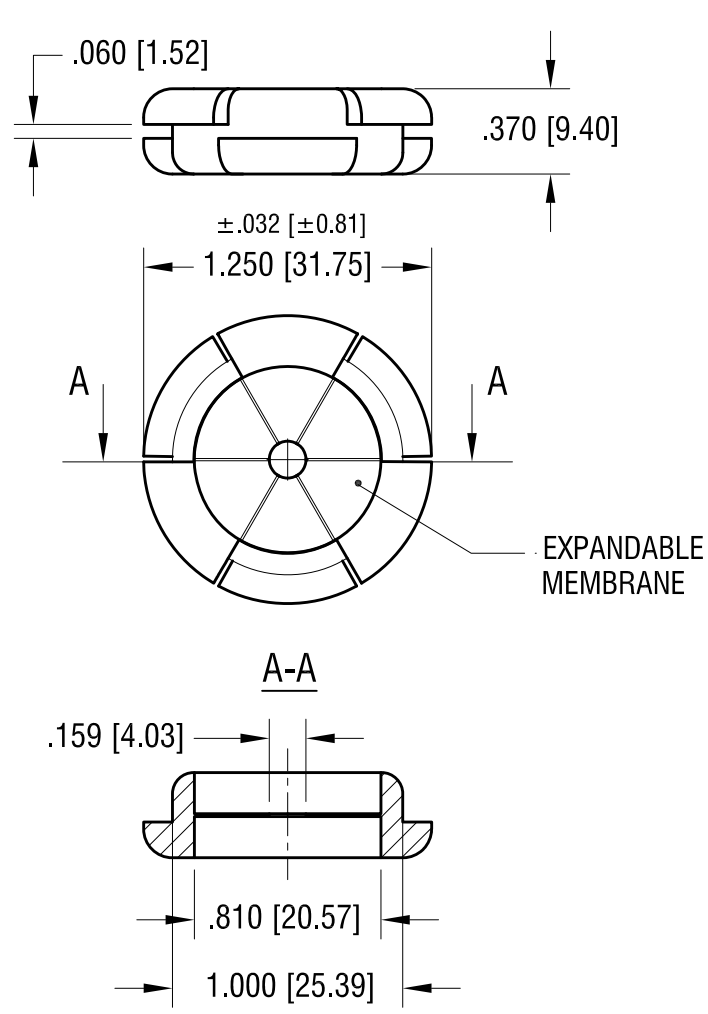


THIS DOCUMENT IS THE PROPERTY OF  
KEYSTONE ELECTRONICS CORP. AND  
SHALL NOT BE REPRODUCED, DISTRIBUTED  
OR USED AS A BASIS FOR MANUFACTURE  
WITHOUT PRIOR WRITTEN PERMISSION  
FROM KEYSTONE ELECTRONICS CORP.



NOTES:

1. ACCOMMODATES WIRE DIAMETERS:  
.187 [4.77] MIN. .750 [19.04] MAX.
2. MOUNTS INTO 1.000 [25.4] DIA. HOLE

<b>KEYSTONE ELECTRONICS CORP.</b>			
www.keyelco.com • ASTORIA, N.Y. 11105-2017 • Tel (718) 956-8900			
PART NAME		UNIVERSAL GROMMET	
MATERIAL		THERMOPLASTIC RUBBER	
FINISH	-	DRN BY NT	DATE 3.21.11
		APP'D LN	SCALE 1X
TOLERANCES	INCH [MM]	CODE	DWG NO.
DECIMAL	$\pm .020$ [ $\pm 0.50$ ]	C/M	<b>778</b>
ANGULAR	$\pm 1^\circ$	UNLESS OTHERWISE SPECIFIED	

DATE	DESCRIPTION	REV.	
------	-------------	------	--