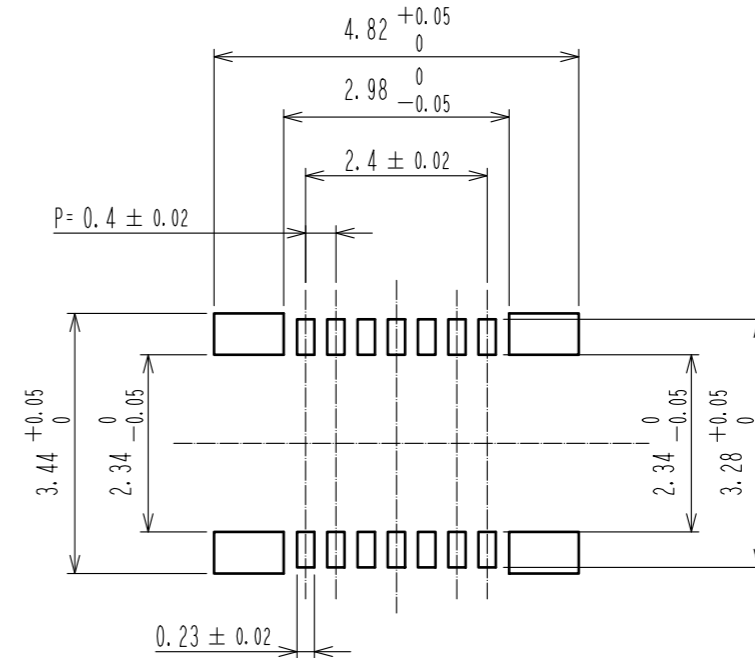
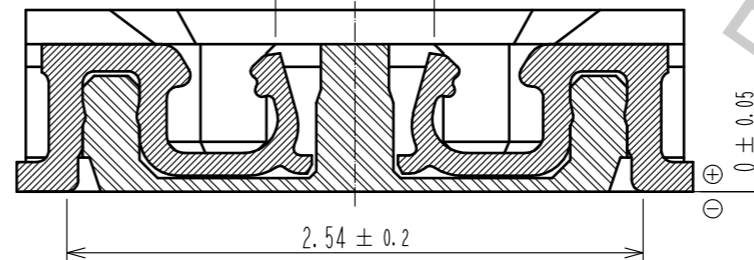


4 RECOMMENDED PATTERN

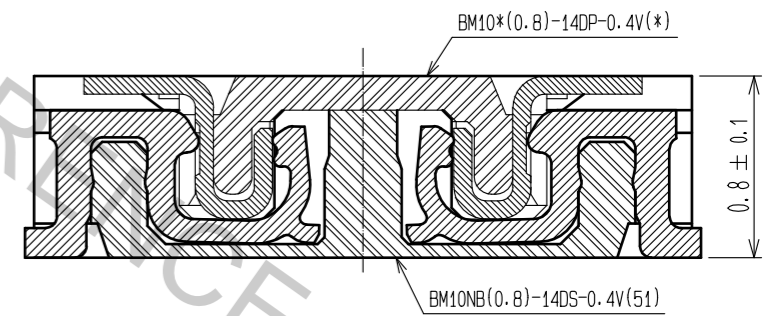


- 4 RECOMMENDED SOLDER PASTE : THICKNESS 120μm
- 4 RECOMMENDED METAL MASK OPENING RATIO : 100%

A-A
PICK AND PLACE AREA : 0.7 ± 0.1



ENGAGEMENT FIGURE



NOTE 1. ALL LEADS CO-PLANARITY SHALL BE 0.1mm MAX.

2 CONTACT PLATING SPECIFICATIONS.

CONTACT AREA : GOLD 0.05μm MIN.
SMT LEAD : GOLD 0.05μm MIN.
UNDERPLATING : NICKEL 1μm MIN.
(SURFACE : SEALING)

3 METAL HOLD DOWN PLATING SPECIFICATIONS.

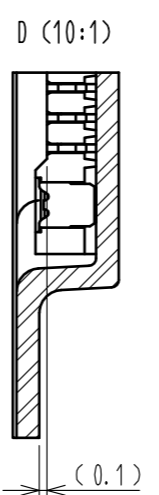
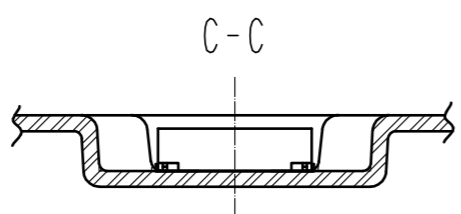
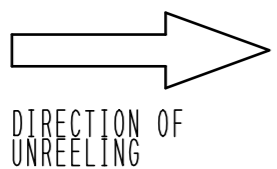
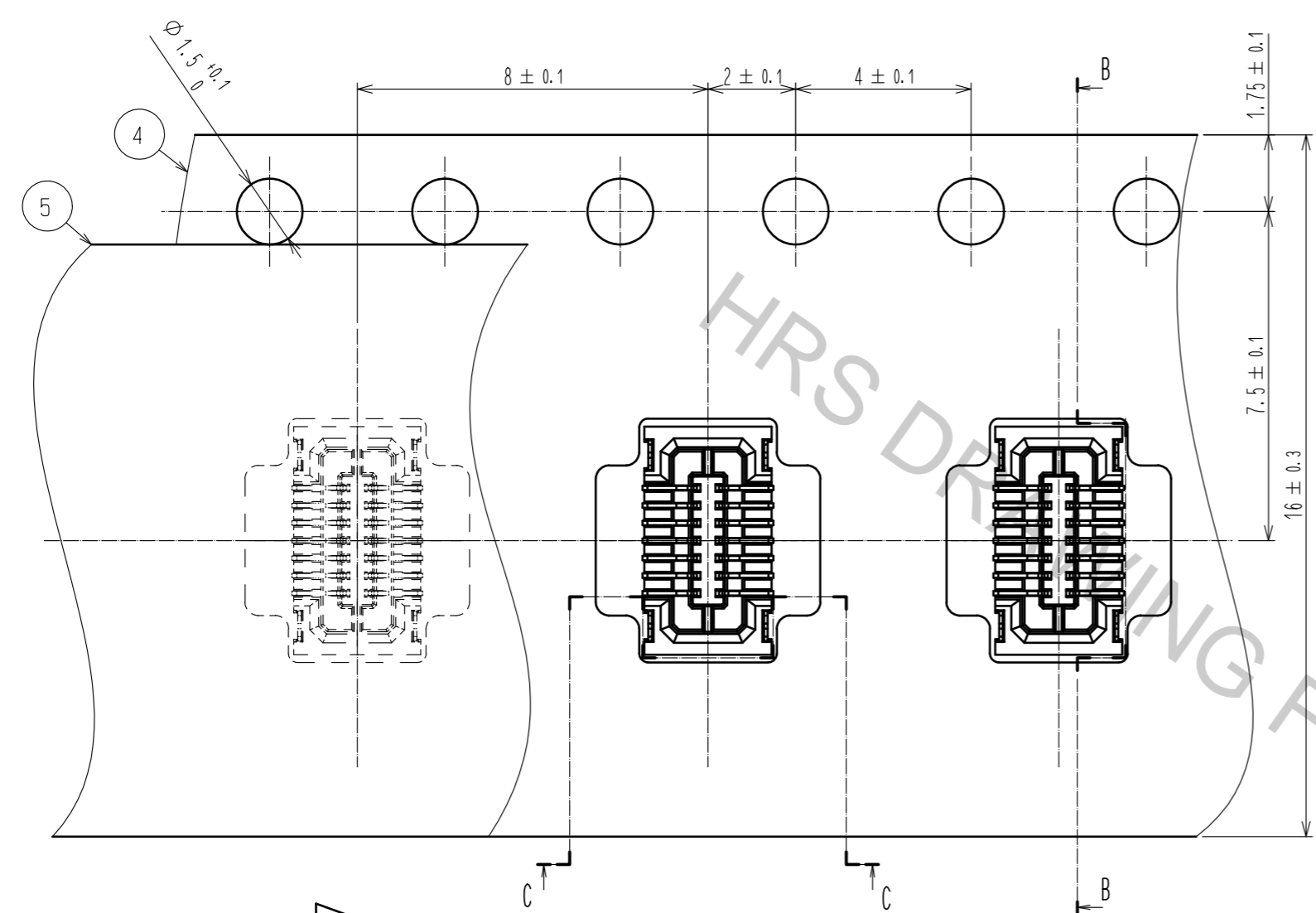
MOUNTING AREA: GOLD 0.05μm MIN.
UNDERPLATING : NICKEL 1μm MIN.

4 PLEASE CONTACT US IN CASE YOU WILL MAKE DIFFERENT SETTINGS FROM OUR RECOMMENDATION.

NO.	MATERIAL	FINISH	REMARKS	NO.	MATERIAL	FINISH	REMARKS
3	PHOSPHOR BRONZE	3		7	PS		CLEAR(REINFORCEMENT COLLAR)
2	PHOSPHOR BRONZE	2		6	PS		BLACK(PLASTIC REEL)
1	LCP		UL94V-0 BLACK	5	POLYESTER		CLEAR(COVER TAPE)
				4	PS		CLEAR(EMBOSSED CARRIER TAPE)

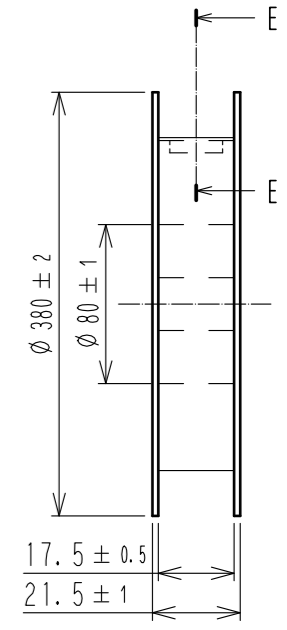
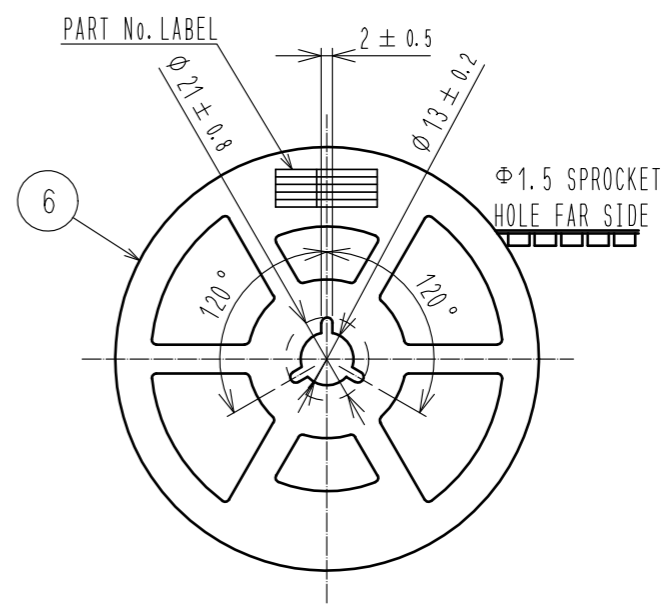
UNITS	SCALE	COUNT	DESCRIPTION OF REVISIONS	DESIGNED	CHECKED	DATE
mm	FREE	1				
APPROVED : MO. ISHIDA			16.04.26	DRAWING NO. EDC-322233-51-00		
CHECKED : TS. MIYAZAKI			16.04.26	PART NO. BM10NB(0.8)-14DS-0.4V(51)		
DESIGNED : NY. YAMASHIRO			16.04.26	CODE NO. CL684-6125-1-51		
DRAWN : SN. NUMAZAKI			16.04.25	1/2		

EMBOSSED CARRIER TAPE PACKAGING (FREE)



STYLE AND DIMENTION OF REEL (FREE)

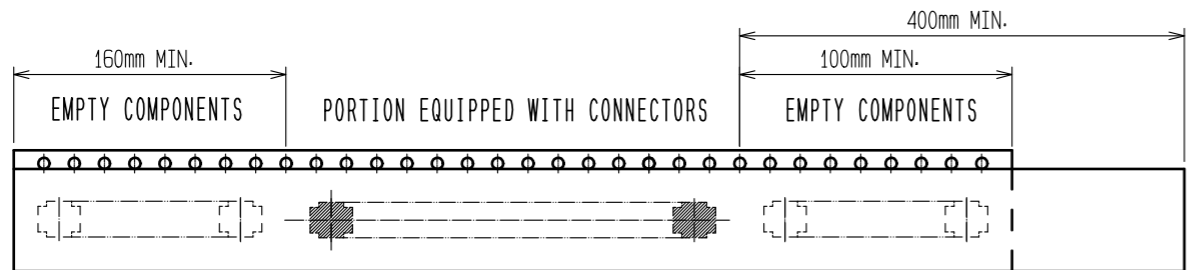
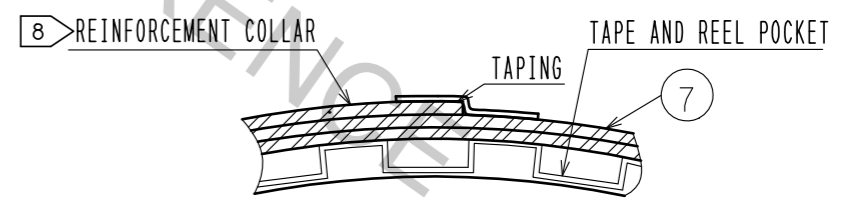
B-B



DETEIL OF PART No. LABEL

SUPPLIER	
QUANTITY	
PART NO.	
CODE NO.	
DATE OF MANUFACTURED	
生産月日	年 月 日
図番	CL684-6125-1-51
品名	BM10NB(0.8)-14DS-0.4V(51)
納入数量	8000個
納入者	ヒロセ電機(株)

E-E (FREE)



TAPING(FREE)

- 5. PER REEL 8000 CONNECTORS.
- 6. THE DIMENTION IN PARENTHESIS ARE FOR REFERENCE.
- 7. REFER TO JIS C 0806. IEC 60286-3(PACKAGING OF COMPONENTS FOR AUTOMATIC HANDLING)
- 8. AFTER PACKAGING, ROLL 2 METERS OF THE REINFORCEMENT COLLAR TO OUTER CIRCUMFERENCE OF TAPE AND REEL POCKET. AND TAPE DOWN AT THE END THE COLLAR.

HRS	DRAWING NO.	EDC-322233-51-00
	PART NO.	BM10NB(0.8)-14DS-0.4V(51)
	CODE NO.	CL684-6125-1-51
		2/2