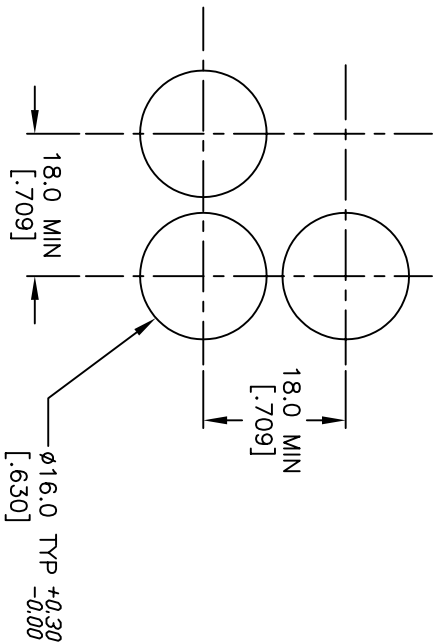
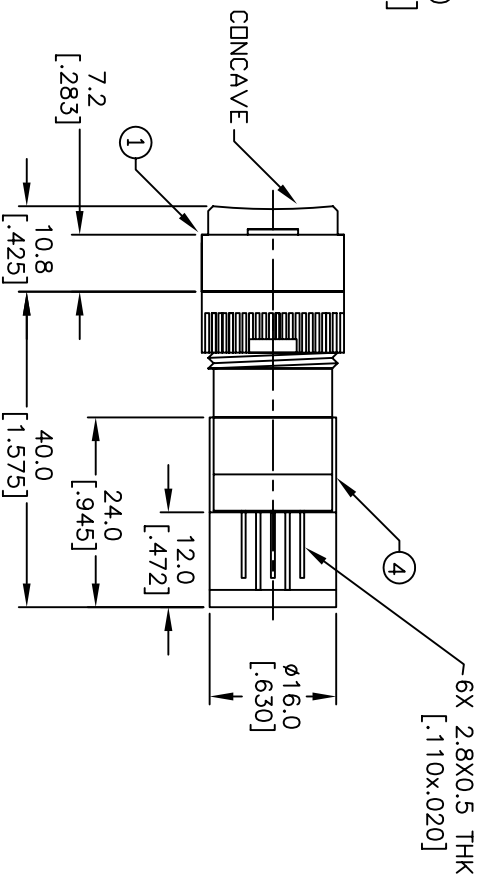
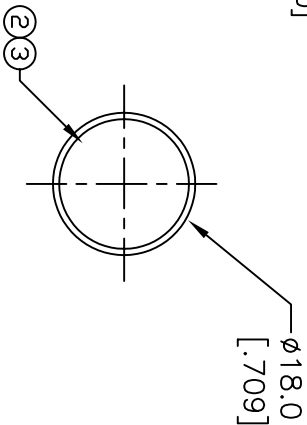


PARTS LIST			
ITEM	QTY.	PART NO.	PART DESCRIPTION
1	1	F040014	P16 OA R11
2	1	F050419	50-004-19(GREEN LED)
3	1	F050102	50-001-02 (GRN LNS TRANSPARENT)
4	1	F051601	P16 PLASTIC TERMINAL PROTECTOR



RECOMMEND PANEL MOUNTING

1.0
3.0
a-L-b (+)



CONTACT CONFIGURATION

NOTES:

1. ALL DIMENSIONS IN MM [INCH]
2. GENERAL TOLERANCE: X.X=±0.4
X.XX=±0.25
3. TERM. NOS. FOR REFERENCE ONLY.
4. RATING: 5A@250V AC / 8A@125V AC / 6A@24VDC
5. MECHANICAL LIFETIME: >2 MILLION OPERATIONS
6. TRAVEL: 3.0MM
7. CONTACT MATERIAL: COPPER ALLOY W/SILVER PLATING
8. LAMP VOLTAGE: 12V DC
9. PACKAGE: BOX/20 PCS PER
10. 2002/95/EC (ROHS) COMPLIANT

REV.	ECN NO.	DESCRIPTION	DATE	CHKD
A	17277	RELEASED FOR PRODUCTION	5/14/07	TN

THE INFORMATION CONTAINED IN THIS DOCUMENT IS PROPRIETARY TO E-SWITCH AND IS NOT TO BE COPIED OR TRANSFERRED

TITLE	SCALE	DATE	DR	DWG	REV
P16DAR11JGRNGRN	1.5:1	5/14/07	TN	XF0720P	A

