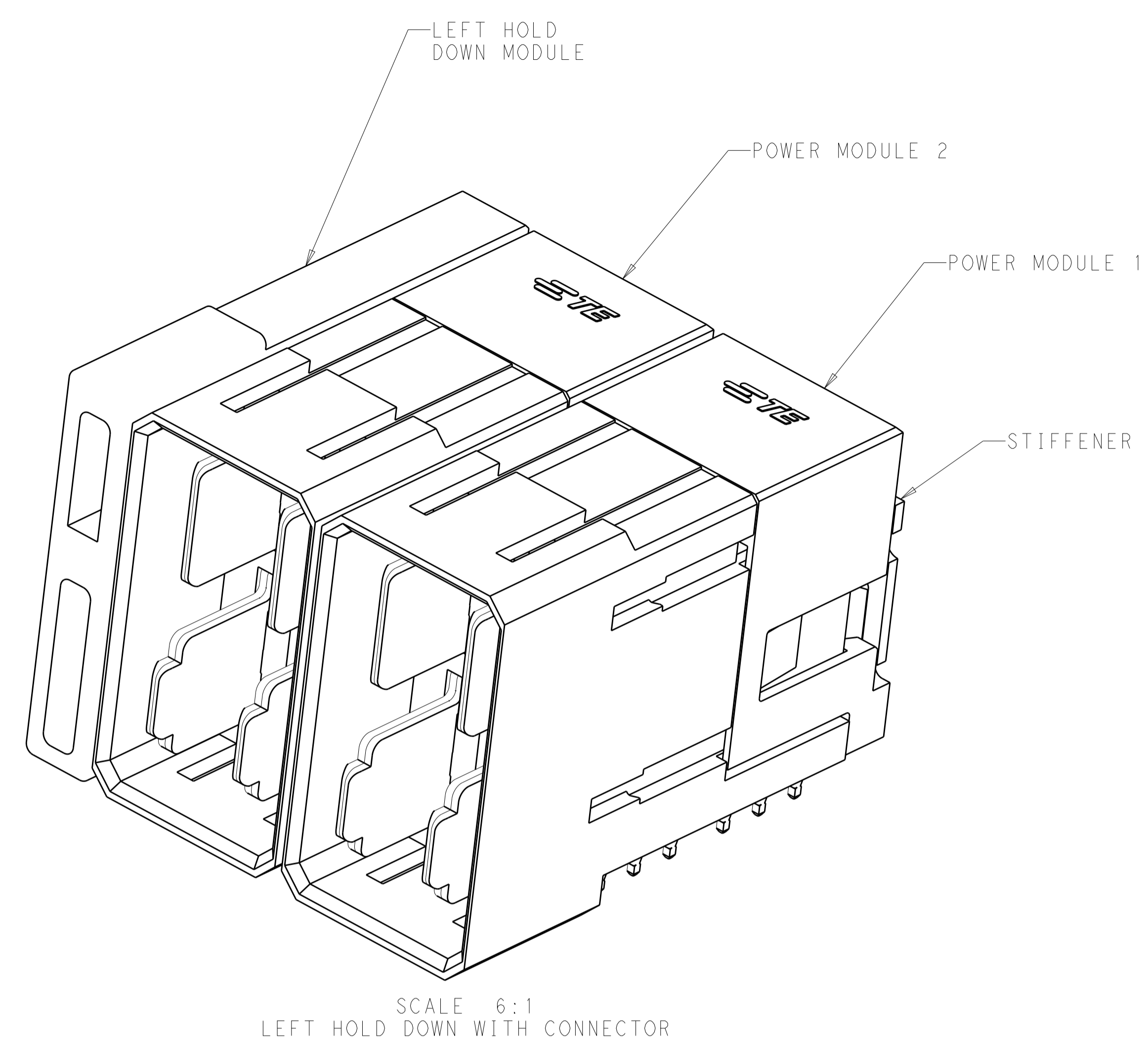


LOC		DIST		REVISIONS			
GP	00	P	LTN	DESCRIPTION	DATE	DWN	APVD
		A		INITIAL RELEASE	24MAY2012	LW	AC
		A1		REV PER ECR-12-010636	19JUN2012	LW	AC



SCALE 6:1
LEFT HOLD DOWN WITH CONNECTOR

- NOTES:
- 1. MATERIALS:
HOUSING: HIGH TEMP. THERMOPLASTIC GLASS/MINERAL FILLED UL94V-0
TERMINAL: COPPER ALLOY
 - 2. FINISH:
TIN OPTION-0.76um MIN GOLD AT CONTACT AREA AND
1.27um MIN NICKEL UNDERPLATED OVER ALL
2.54um TIN AT SOLDER TAIL AREA
TIN-LEAD OPTION-0.76um MIN GOLD AT CONTACT AREA AND
1.27um MIN NICKEL UNDERPLATED OVER ALL
2.54um TIN-LEAD AT SOLDER TAIL AREA
 - 3. REFER TO TE'S PRODUCT SPECIFICATION:108-2473 FOR PLATED THROUGH-HOLE SPECIFICATION AND TORQUE FORCE
 - 4. CONNECTOR WERE PACKED BY TRAY
REFER TO TE'S PACKAGING SPECIFICATION:107-97874
 - 5. MATED WITH 2169809-*
 - 6. LASER MARK PART NUMBER AND DATE CODE (YYWWDS) CAN BE AT THE OPPOSITE SIDE
 - 7. ADD 11.40MM FOR EACH ADDITIONAL MODULE
 - 8. REFER TO DOCUMENT NUMBER:2169802 FOR INDIVIDUAL MODULE COMPONENT INFORMATION
 - 9. FIRST POWER MODULE(1#) STARTS FROM THE RIGHT
 - 10. DIMENSION P1&P2 FOR POWER MODULE 1, P3&P4 FOR POWER MODULE 2
 - 11. COMPONENT STAY AWAY ZONE FROM CONNECTOR
 - 12. ALL PARTS ARE SHIPPED WITH A 2-32 AB TYPE SELF-TAPPING SCREW P/N:2057509-2

STATUS	PACKAGING	PLATING TYP	P4	P3	P2	P1	DIM A	NUMBER OF POWER MODULE	PART NUMBER
OBSOLETE			6.90	5.70	6.90	5.70	26.40	2X	7-2180488-0
OBSOLETE			6.90	5.70	5.70	6.90	26.40	2X	6-2180488-9
OBSOLETE			6.90	5.70	5.70	5.70	26.40	2X	6-2180488-8
OBSOLETE			6.90	5.70	6.90	6.90	26.40	2X	6-2180488-7
OBSOLETE			5.70	6.90	6.90	5.70	26.40	2X	6-2180488-6
OBSOLETE			5.70	6.90	5.70	6.90	26.40	2X	6-2180488-5
OBSOLETE			5.70	6.90	5.70	5.70	26.40	2X	6-2180488-4
OBSOLETE			5.70	6.90	6.90	6.90	26.40	2X	6-2180488-3
OBSOLETE			5.70	5.70	6.90	5.70	26.40	2X	6-2180488-2
OBSOLETE			5.70	5.70	5.70	6.90	26.40	2X	6-2180488-1
OBSOLETE			5.70	5.70	5.70	5.70	26.40	2X	6-2180488-0
OBSOLETE			5.70	5.70	6.90	6.90	26.40	2X	5-2180488-9
OBSOLETE			6.90	6.90	6.90	5.70	26.40	2X	5-2180488-8
OBSOLETE			6.90	6.90	5.70	6.90	26.40	2X	5-2180488-7
OBSOLETE			6.90	6.90	5.70	5.70	26.40	2X	5-2180488-6
OBSOLETE			6.90	6.90	6.90	6.90	26.40	2X	5-2180488-5
OBSOLETE			N/A	N/A	6.90	5.70	15.00	1X	5-2180488-4
OBSOLETE			N/A	N/A	5.70	6.90	15.00	1X	5-2180488-3
OBSOLETE			N/A	N/A	5.70	5.70	15.00	1X	5-2180488-2
OBSOLETE			N/A	N/A	6.90	6.90	15.00	1X	5-2180488-1
ACTIVE			6.90	5.70	6.90	5.70	26.40	2X	2-2180488-0
ACTIVE			6.90	5.70	5.70	6.90	26.40	2X	1-2180488-9
ACTIVE			6.90	5.70	5.70	5.70	26.40	2X	1-2180488-8
ACTIVE			6.90	5.70	6.90	6.90	26.40	2X	1-2180488-7
ACTIVE			5.70	6.90	6.90	5.70	26.40	2X	1-2180488-6
ACTIVE			5.70	6.90	5.70	6.90	26.40	2X	1-2180488-5
ACTIVE			5.70	6.90	5.70	5.70	26.40	2X	1-2180488-4
ACTIVE			5.70	6.90	6.90	6.90	26.40	2X	1-2180488-3
ACTIVE			5.70	5.70	6.90	5.70	26.40	2X	1-2180488-2
ACTIVE			5.70	5.70	5.70	6.90	26.40	2X	1-2180488-1
ACTIVE			5.70	5.70	5.70	5.70	26.40	2X	1-2180488-0
ACTIVE			5.70	5.70	6.90	6.90	26.40	2X	2180488-9
ACTIVE			6.90	6.90	6.90	5.70	26.40	2X	2180488-8
ACTIVE			6.90	6.90	5.70	6.90	26.40	2X	2180488-7
ACTIVE			6.90	6.90	5.70	5.70	26.40	2X	2180488-6
ACTIVE			6.90	6.90	6.90	6.90	26.40	2X	2180488-5
ACTIVE			N/A	N/A	6.90	5.70	15.00	1X	2180488-4
ACTIVE			N/A	N/A	5.70	6.90	15.00	1X	2180488-3
ACTIVE			N/A	N/A	5.70	5.70	15.00	1X	2180488-2
ACTIVE			N/A	N/A	6.90	6.90	15.00	1X	2180488-1

THIS DRAWING IS A CONTROLLED DOCUMENT. DWN: LERRY WANG 06MAR2012
 CHK: SUNY ZHAO 06MAR2012
 APVD: SUNY ZHAO 06MAR2012

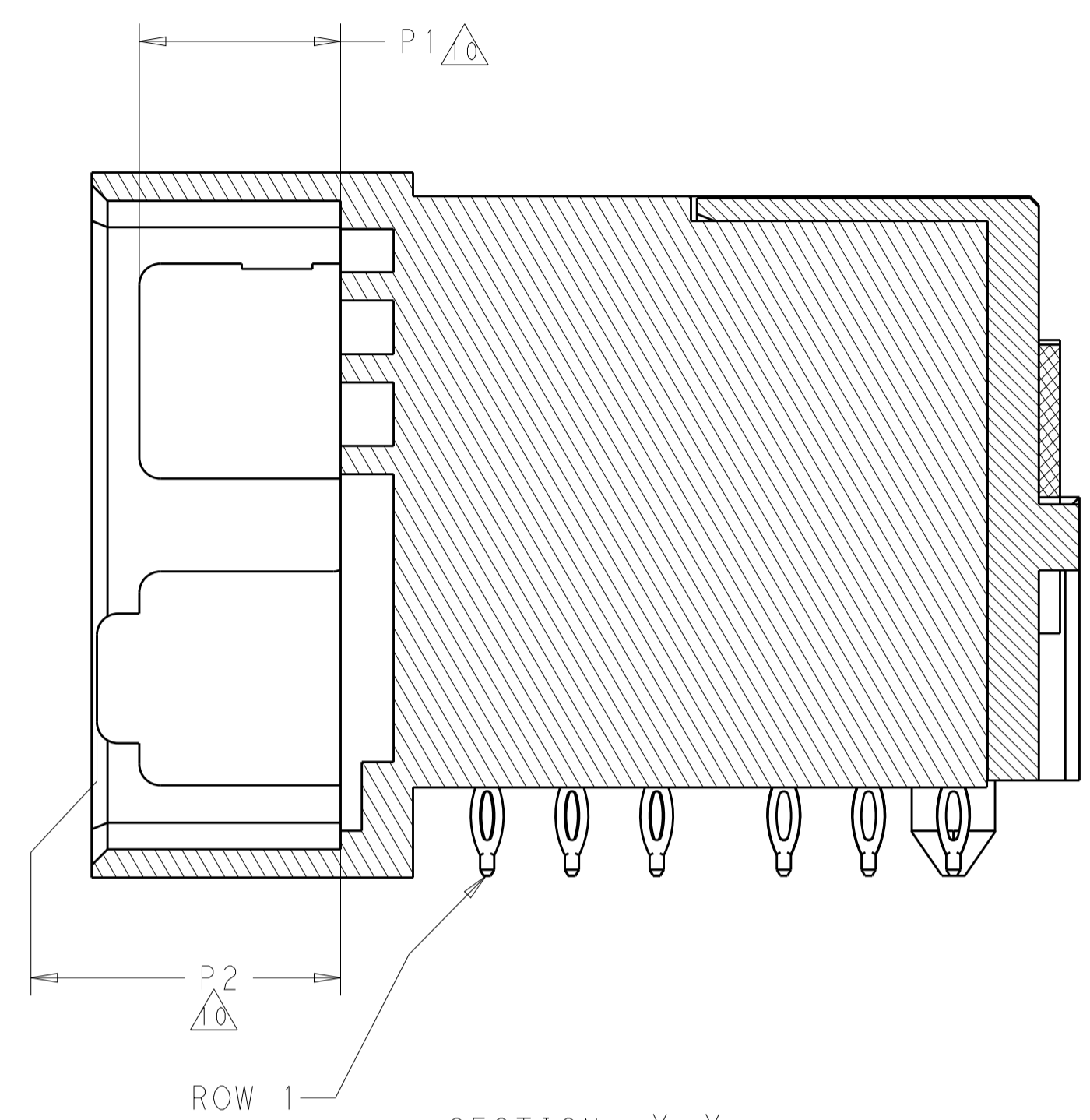
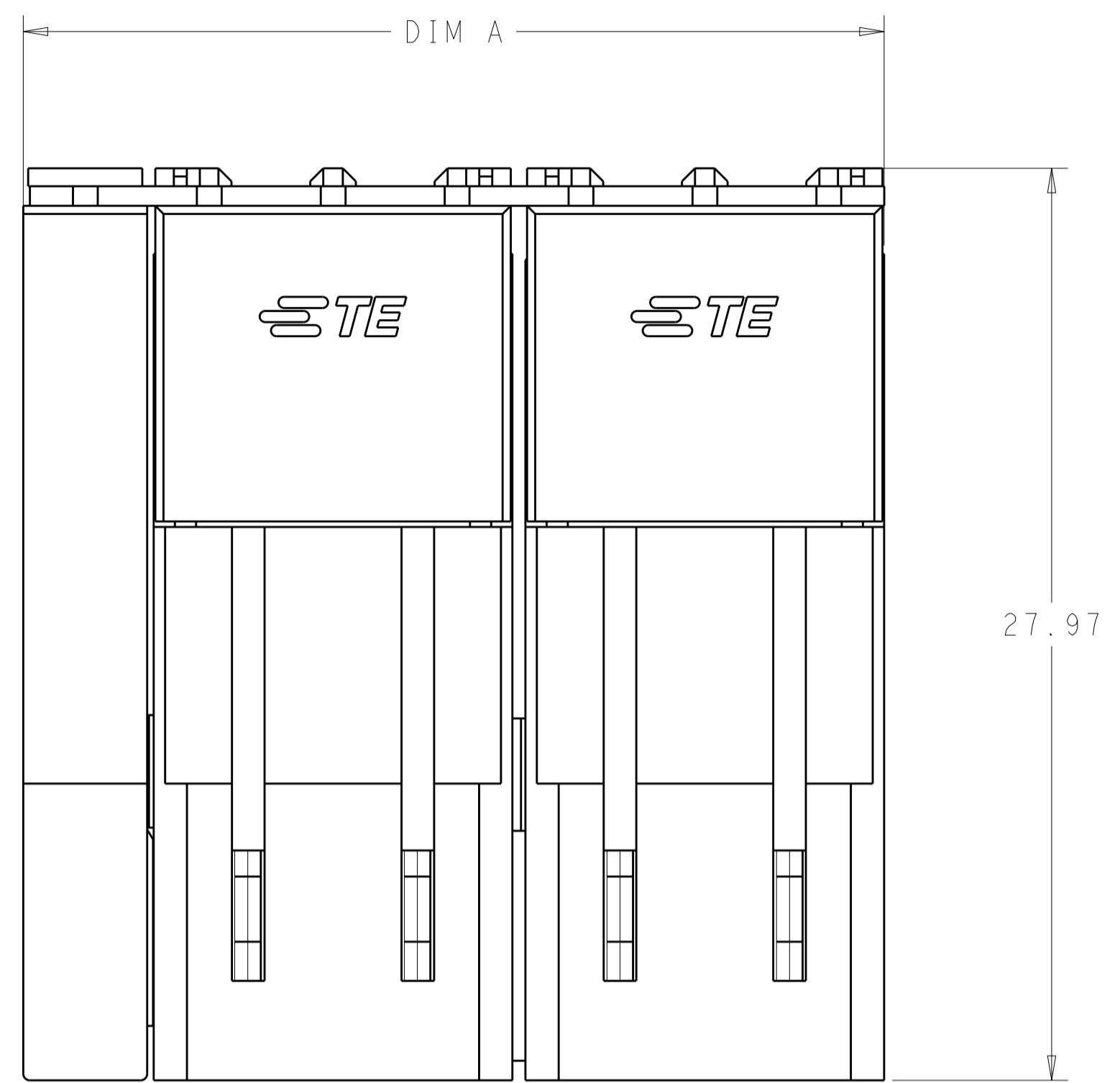
TE Connectivity

IMPACT POWER 4PAIR HEADER WITH LEFT HOLD DOWN PRESS FIT

114-32028
 100779 ©=2180488

SCALE 4:1 SHEET 1 OF 3 REV A1

LOC	DIST	REVISIONS			
P	LTN	DESCRIPTION	DATE	DMN	APVD
-	-	SEE SHEET 1	-	-	-



SECTION X-X
 BLADE LOCATION P1 & P2
 SCALE 6:1

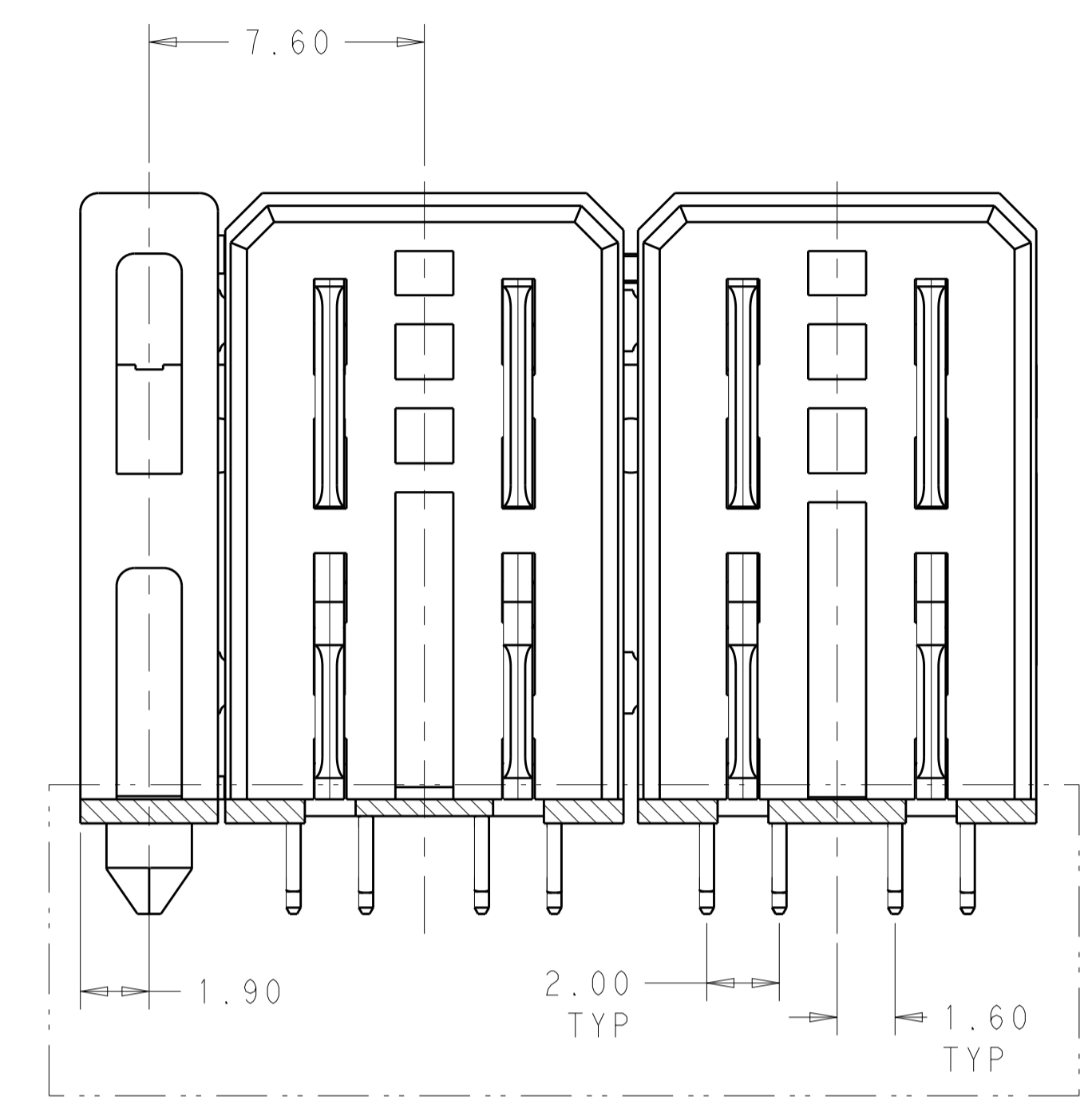
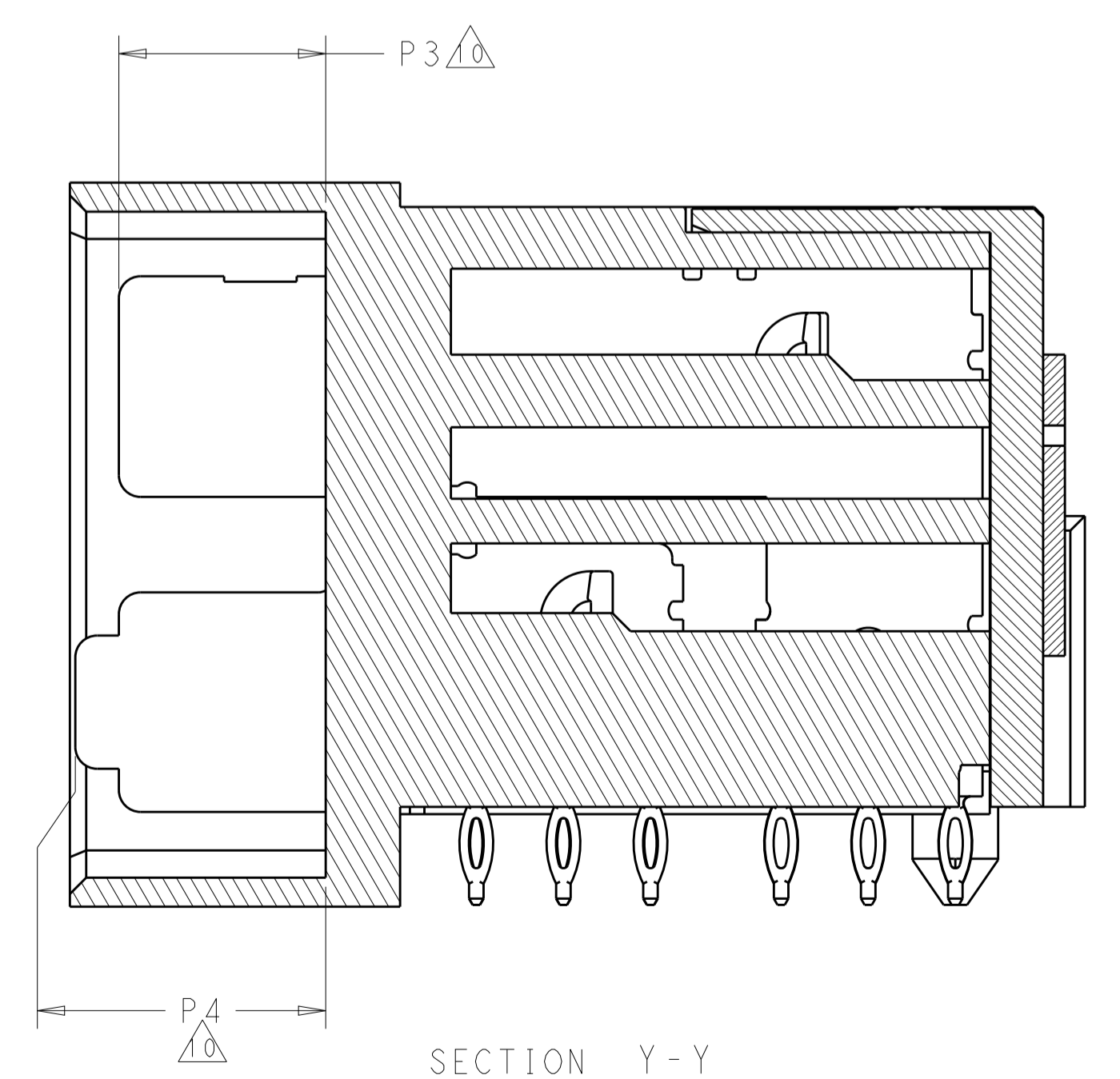
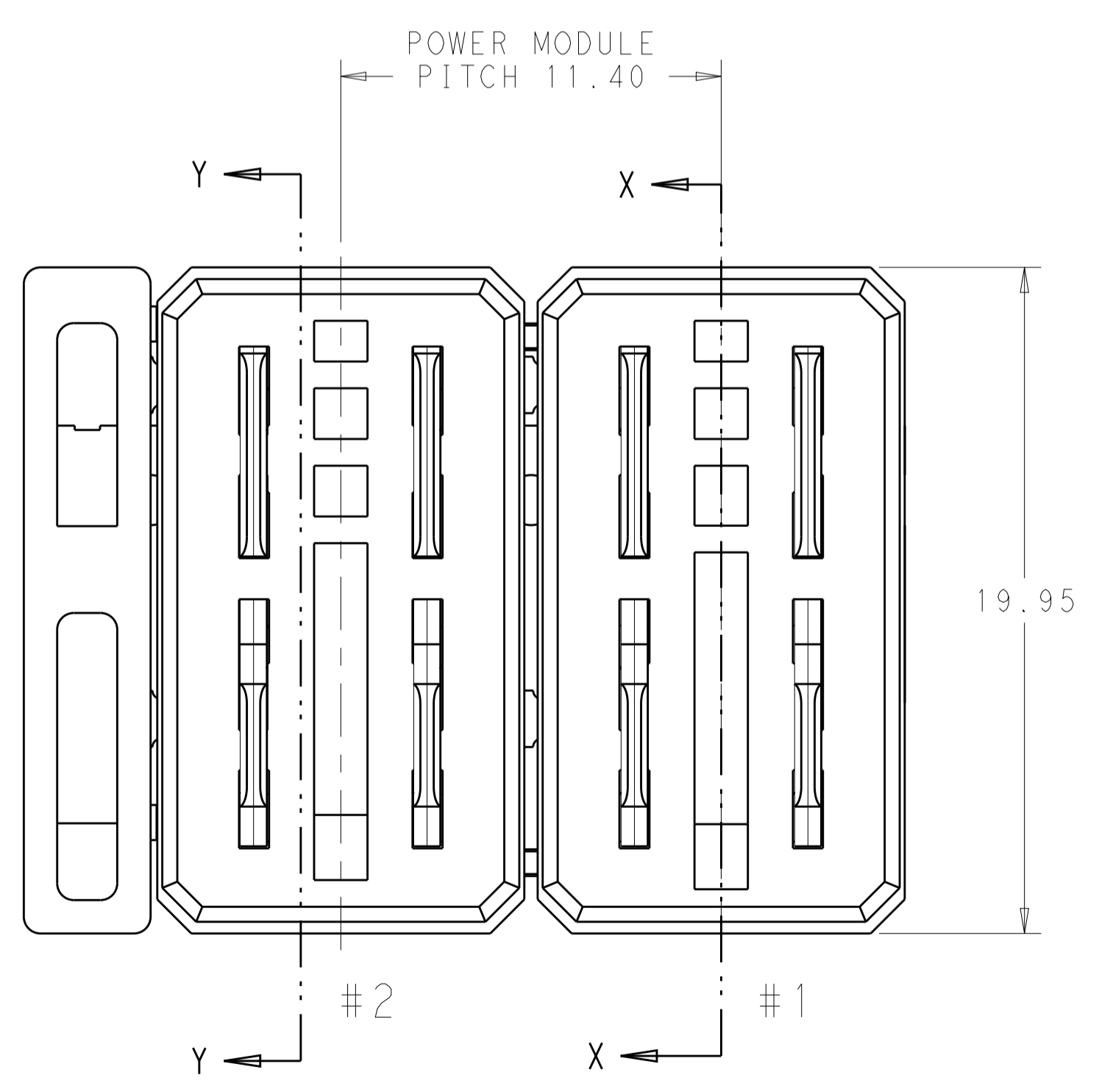
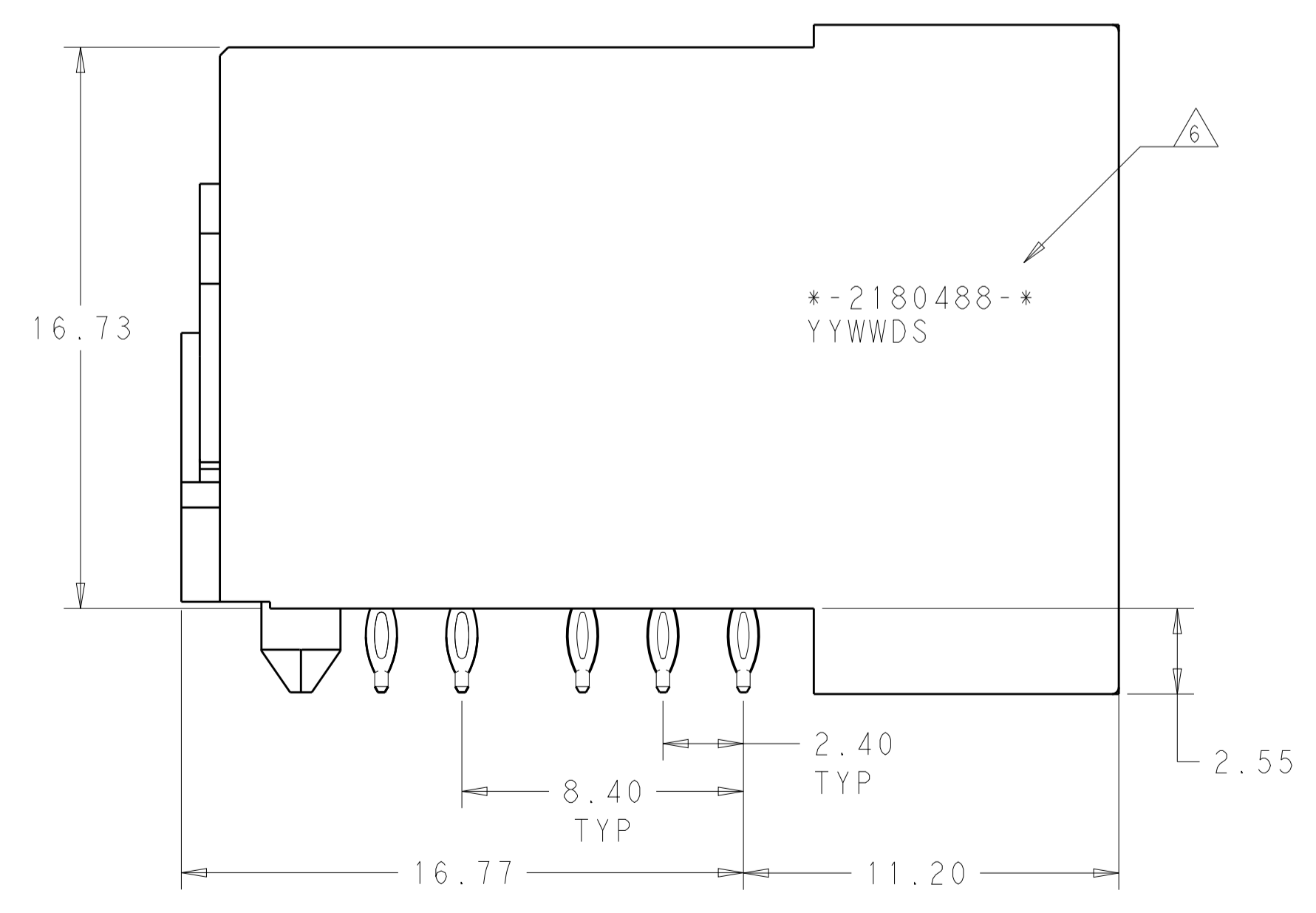


FIGURE: CUTAWAY
 SHOWN SOLDER TAIL POSITION

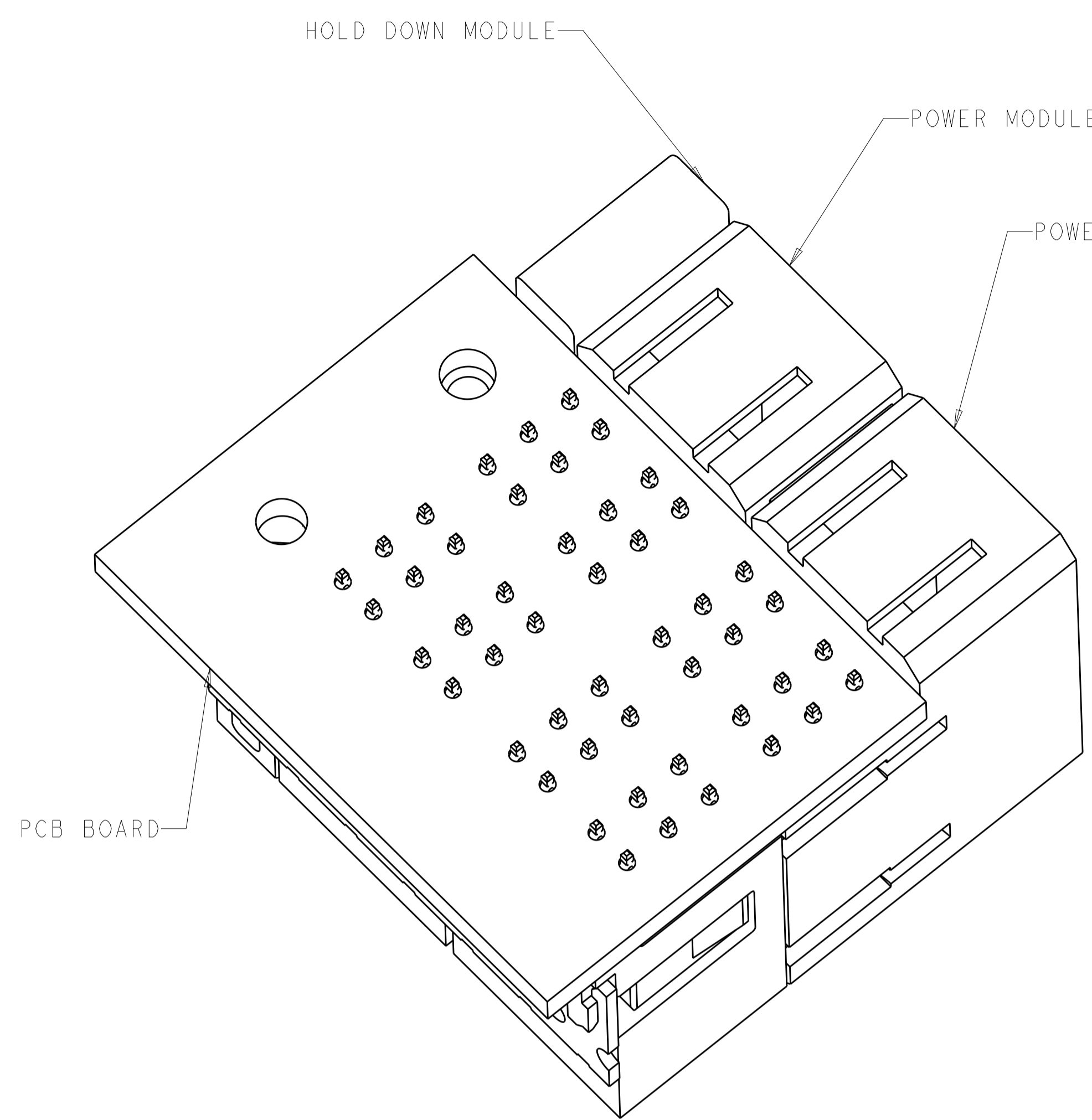


SECTION Y-Y
 BLADE LOCATION P3 & P4

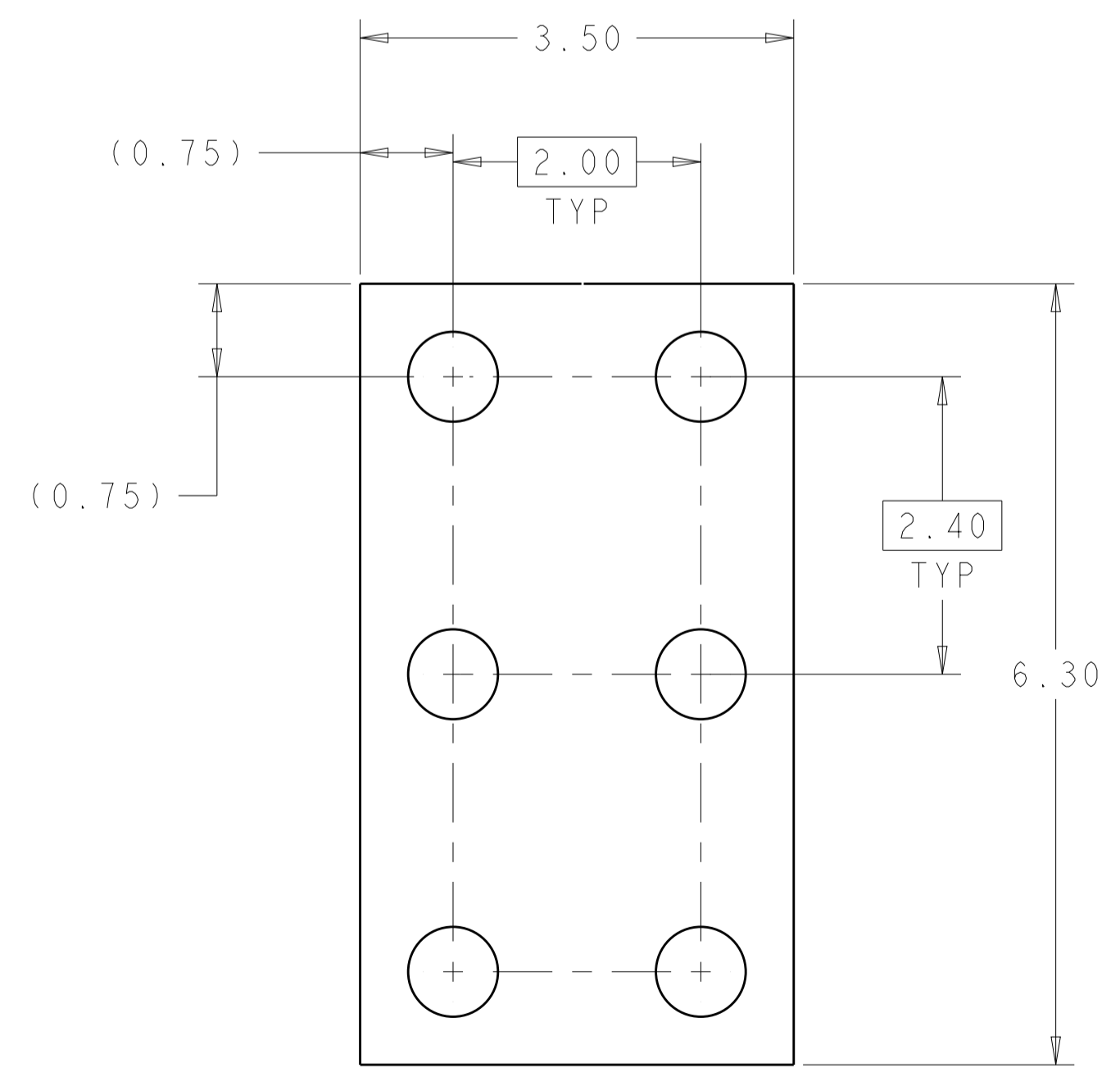


THIS DRAWING IS A CONTROLLED DOCUMENT.		DMN: LERRY WANG 06MAR2012	TE Connectivity
DIMENSIONS:		CHK: SUNY ZHAO 06MAR2012	
mm	TOLERANCES UNLESS OTHERWISE SPECIFIED:	APVD: SUNY ZHAO 06MAR2012	NAME: IMPACT POWER 4PAIR HEADER WITH LEFT HOLD DOWN PRESS FIT
0 PLC ±.1 1 PLC ±.15 2 PLC ±.25 3 PLC ±.3 4 PLC ±.4 ANGLES ±.5°	FINISH:	PRODUCT SPEC: APPLICATION SPEC: 114-32028	
MATERIAL:		WEIGHT:	SIZE: A1 CAGE CODE: 00779 DRAWING NO: C=2180488
CUSTOMER DRAWING			RESTRICTED TO: SCALE: 4:1 SHEET 2 OF 3 REV: A1

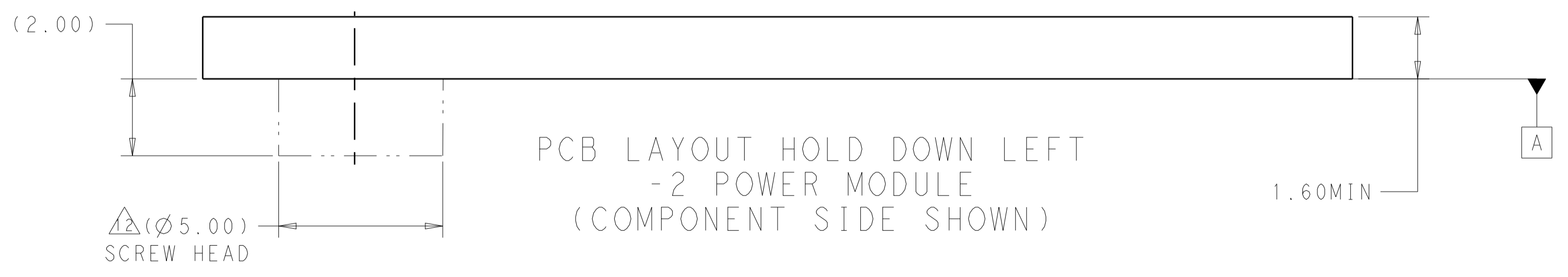
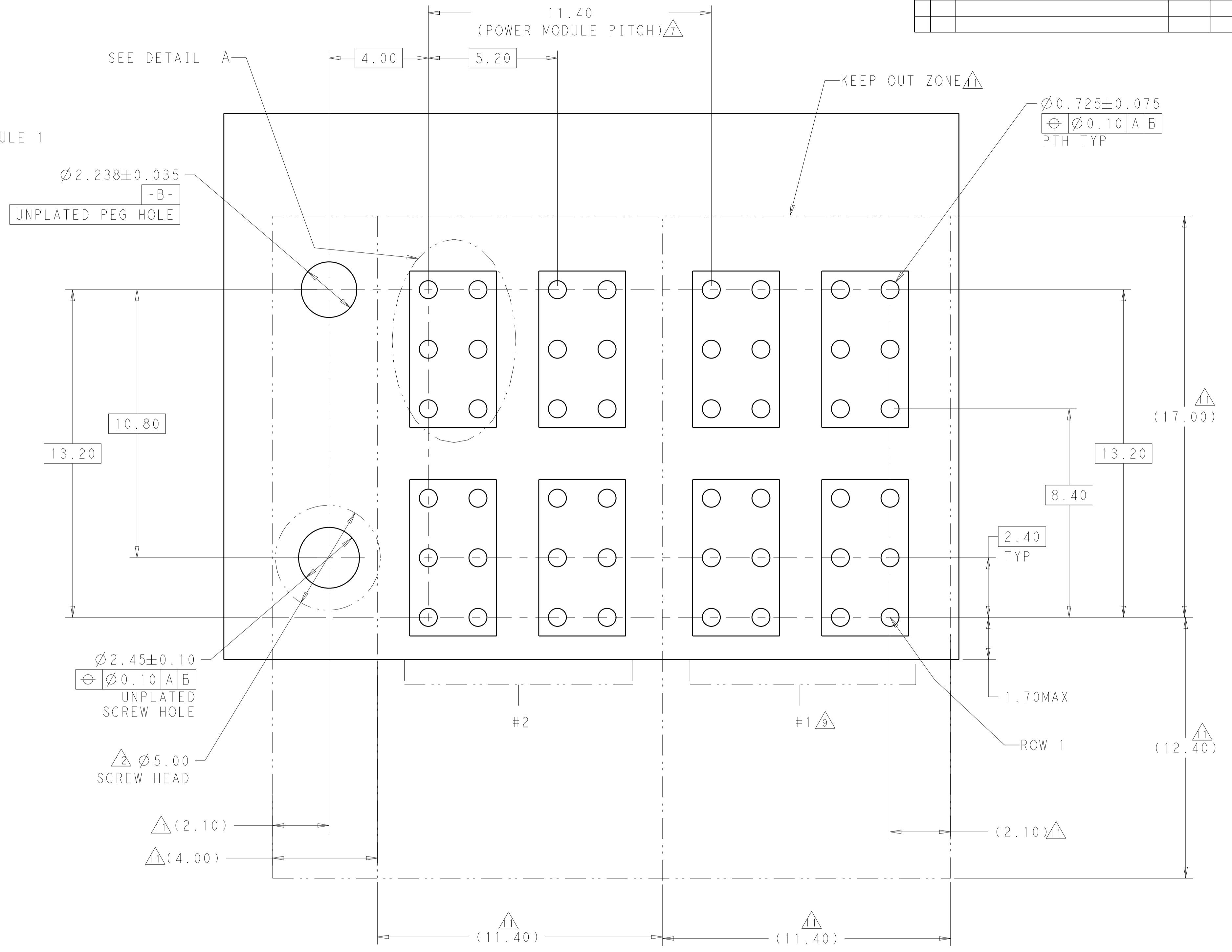
LOC	DIST	REVISIONS			
GP	00	REV	DATE	BY	APPV
-	-	SEE SHEET 1	-	-	-



CONNECTOR WITH PCB BOARD



DETAIL A
COPPER PAD REFERENCE
SCALE 20:1



PCB LAYOUT HOLD DOWN LEFT
- 2 POWER MODULE
(COMPONENT SIDE SHOWN)

THIS DRAWING IS A CONTROLLED DOCUMENT.		OWN: LERRY WANG 06MAR2012	TE Connectivity
DIMENSIONS: mm		CHK: SUNY ZHAO 06MAR2012	
TOLERANCES UNLESS OTHERWISE SPECIFIED:		APPV: SUNY ZHAO 06MAR2012	NAME: IMPACT POWER 4PAIR HEADER WITH LEFT HOLD DOWN PRESS FIT
0 PLC	±0.25	PRODUCT SPEC	SIZE: CAGE CODE DRAWING NO
1 PLC	±0.25	APPLICATION SPEC	RESTRICTED TO
2 PLC	±0.25	114-32028	A100779C=2180488
3 PLC	±0.25	WEIGHT	SCALE 4:1 SHEET 3 OF 3 REV A1
4 PLC	±0.25	CUSTOMER DRAWING	
ANGLES	±0.25		
FINISH	±0.25		