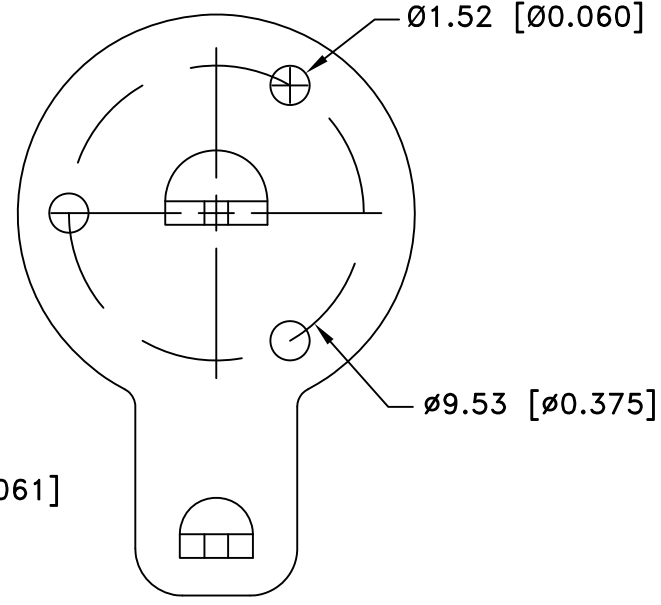
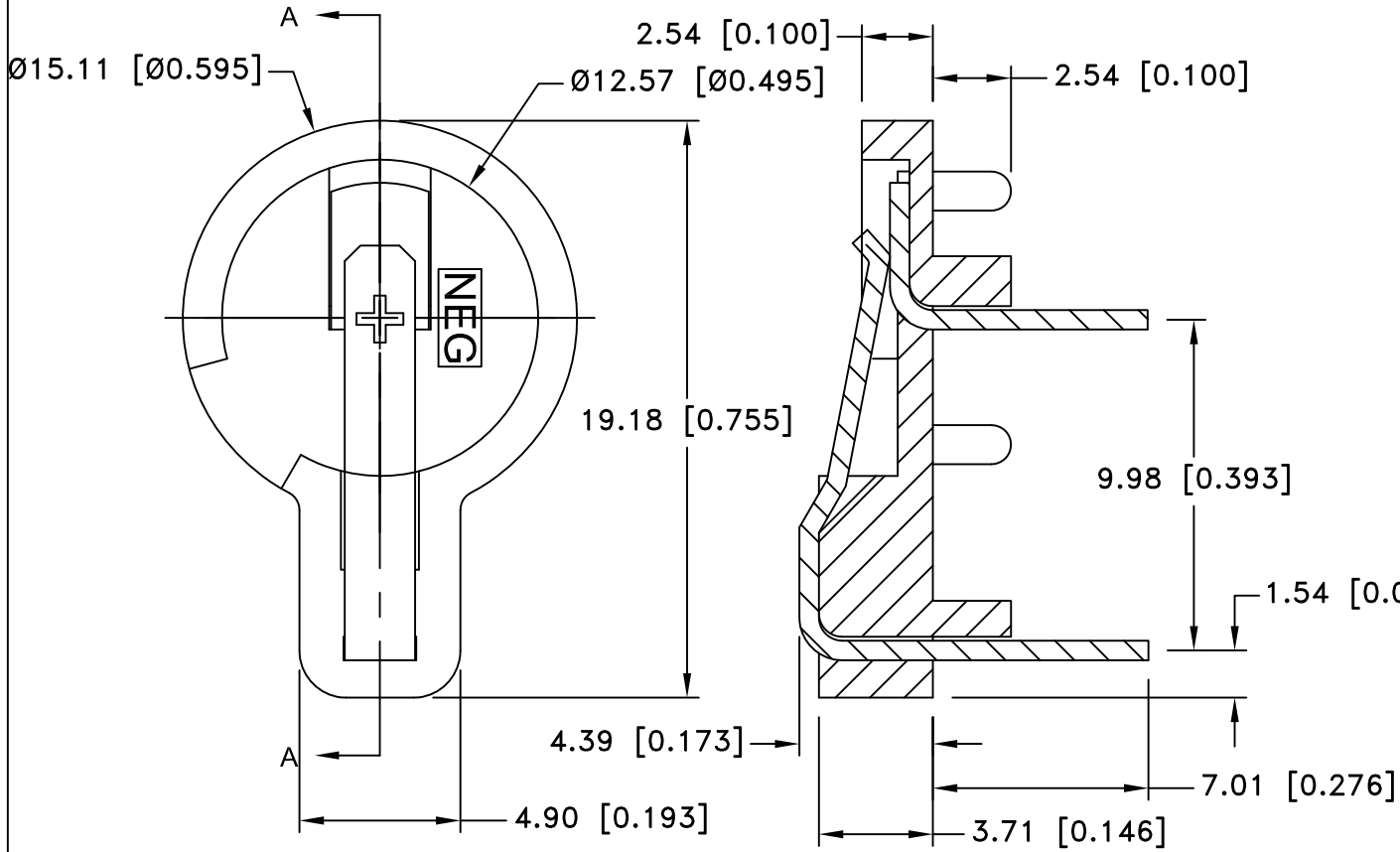



**PCB LAYOUT**

Date	SYM	REVISION RECORD	AUTH	DR.	CK.
03/26/05	B	4.39 [0.173] WAS 4.34 [0.171]	T.B.	B.S.	
1/07/06	C	ADDED "ROHS COMPLIANT"	T.B.	B.S.	
2/25/06	D	LEAD FREE WAS Sn-Pb PLTD.	T.B.	B.S.	
03/09/12	E	REMOVED SOLDER TAILS FROM NOTE	T.B.	B.S.	



**NOTES:**  
**MATERIAL:**  
 HOLDER: PBT POLYESTER, BLACK, UL94V-0  
 POS. CONT.: PHOSPHOR BRONZE, SPRING TEMPER, NICKEL PLATED.  
 NEG. CONT.: PHOSPHOR BRONZE, SPRING TEMPER, NICKEL PLATED.  
 ROHS COMPLIANT

Tolerance (Except as noted)	 <b>Memory Protection Devices, Inc</b> 200 Broad Hollow Road, Farmingdale, New York 11735	Scale	Drawn By B.S.
			Approved By T.B.
decimal $\pm .5$ (.020)	Title <b>COIN CELL HOLDER</b>		
Fractional $\pm .8$ (.030)		Date 03/09/12	Drawing Number BH501
Angular $\pm 3^\circ$			