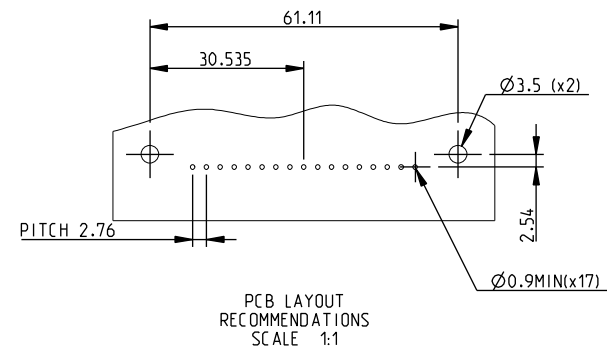
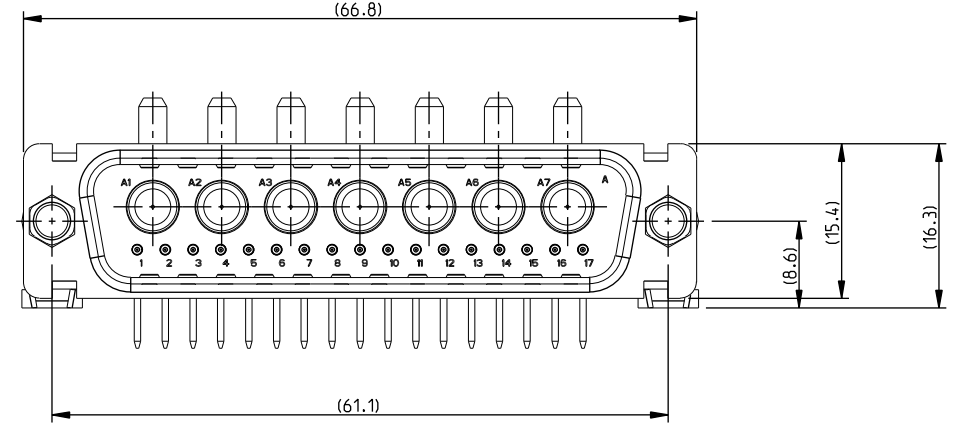
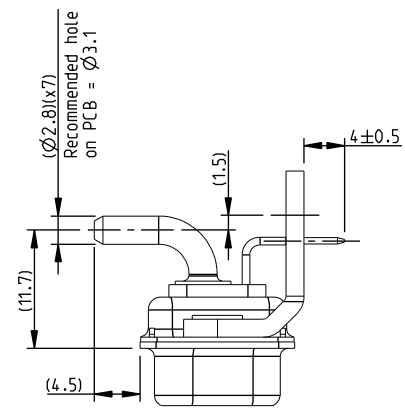
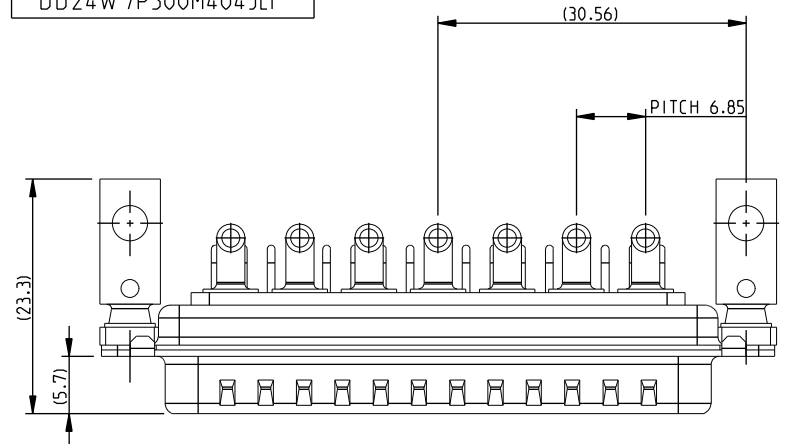


PART-NUMBER
DD24 W 7P500M404 JLF

- NOTES :
- 1- REFERENCE SPECIFICATION :
- NFC 93425 (compliant with HE-507).
 - 2- PHYSICAL CHARACTERISTICS
- INSULATOR MATERIAL : Thermoset
- CONTACTS MATERIAL : BRASS
- SHELLS : STEEL
- BRACKETS : STEEL
 - 2- ELECTRICAL CHARACTERISTICS
- NOMINAL CURRENT : 40 A
- CONTACT RESISTANCE : 7.3 mΩ
- CONTACT-CONTACT : 1000 V
- CONTACT GROUND : 1200 V
- INSULATION RESISTANCE : 5000 MΩ
- MATE/UNMATE : 200 CYCLES
 - 2- ENVIRONMENTAL CHARACTERISTICS
- CLIMATIC CATEGORY : 55/125/21.
- TEMPERATURE RANGE : -55°C TO +125°C.
- DAMP HEAT STEADY STATE 21 DAYS.
- SALT SPRAY 24 HOURS.
 - 3- PACKAGING : IN VACUUM-FORMED TRAY, xx PCS PER TRAY.
(TBD)



Copyright FCJ

RoHS INFORMATION

- The LF products meet european union directive and other country regulations as described in GS-22-008.
- The housing will withstand exposure to 260° temperature for 3.5 seconds in a wave solder application with a 2.4 minimum thick circuit board. See application notes/procedures if available.
- Termination plating specifications :
Ni 1.7µm MIN + Sn 2.5 to 7.5µm (pure bright)
- Active area plating specifications :
Ni + Au
- Shells plating specifications :
2 to 4µm Cu + 3 to 10 Sn (pure bright)
- Bracket plating specifications :
2 to 4µm Cu + 3 to 10 Sn (pure bright)
- Packaging spec regarding RoHS : GS-14-920

rev	ecn no	dr	date
A	F10-0022	LSA	10-03-26
B	F10-0051	LSA	10-05-11
-	-	-	-
-	-	-	-
-	-	-	-
-	-	-	-

www.fciconnect.com			surface ISO 1302	-	tolerance std ISO 406 ISO 1101	projection mm	mm		
TOLERANCES UNLESS OTHERWISE SPECIFIED						size A3	Scale 2:1		
Dr	L. SAILLARD	09-10-13	ANGULAR	LINEAR	0.x		±/	ECN F10-0022	
Eng	L. SAILLARD	09-10-13	0°	±/	0.xx		±/	Spec ref /	
Chr	G. PEQUIGNOT	09-10-13	Product family			-		-	
Appr	/	/	Product family			-		-	
FCJ		Title POWER CONTACTS REVERSED				dwg no		C01-8639-2356	
		MALE D-SUB MIXED STB						Rev. B	
		catalog no				-		CUSTOMER sheet 1 of 1	

REV C - 2006-03-28