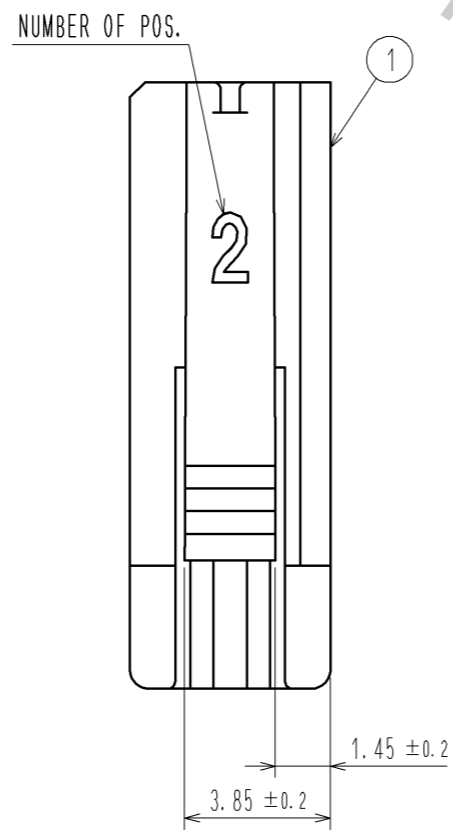
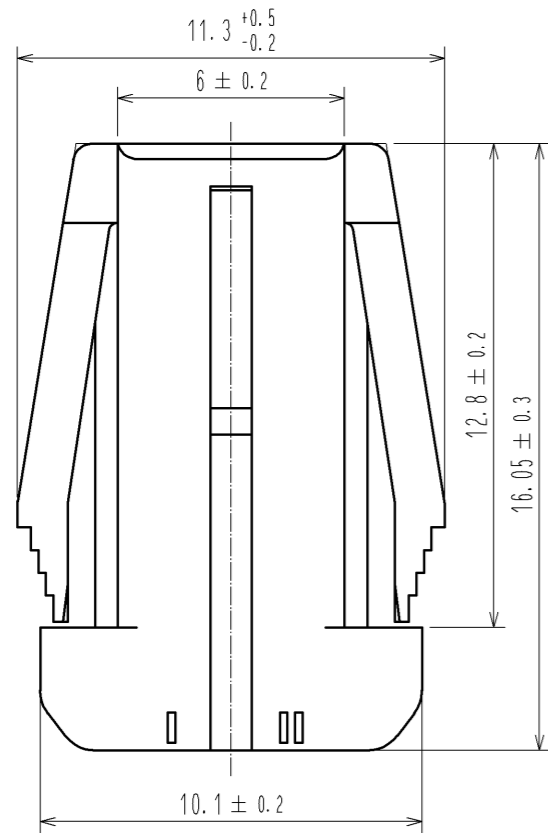
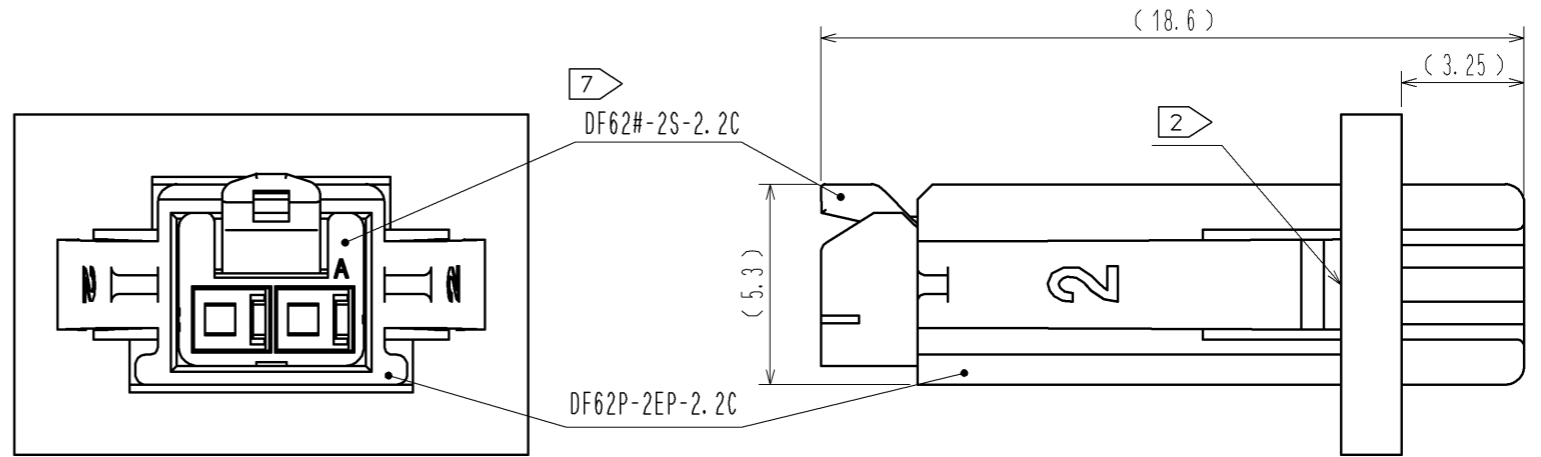
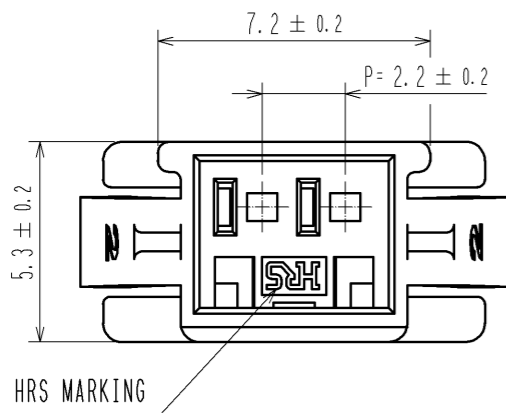
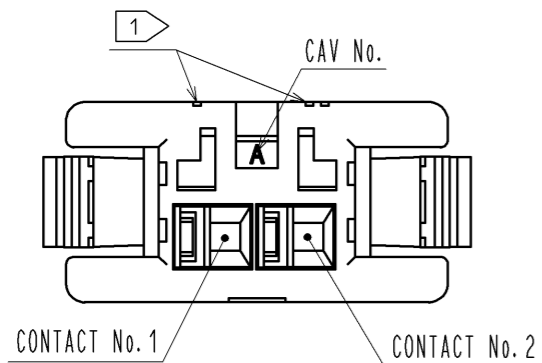
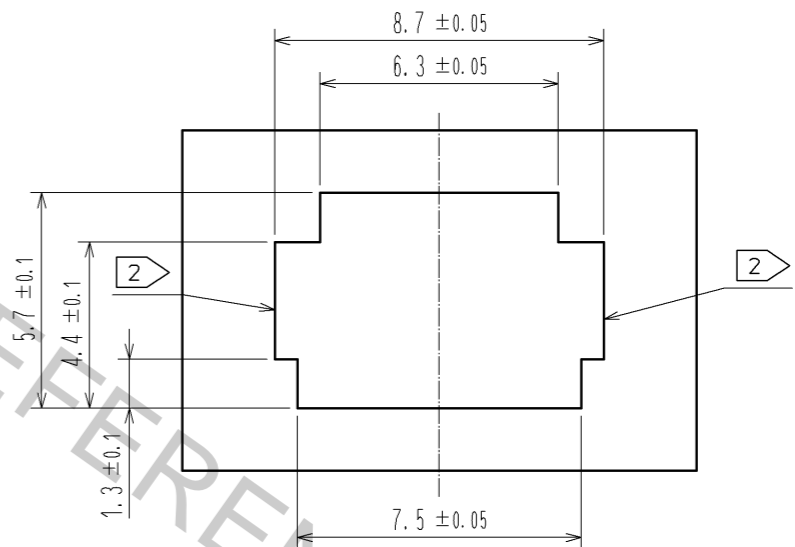


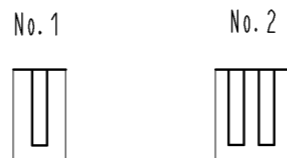
7 MATING FIGURE ( PANEL MOUNTED )



3 4 RECOMMENDED PANEL CUTOUT DIMENSION



1 FIGURE-1 CONTACT No. MARKING (10:1)



- 1 MARKINGS AT THE INDICATED POSITIONS ARE CONTACT NO. MARKING, AND SHAPES ARE SHOWN IN FIGURE-1.
- 2 PLEASE USE THE NON-RADIUS SIDE FOR THE PANEL HOOKING AREA.
- 3 APPLICABLE PANEL THICKNESS IS 2.3 TO 0.5mm.
- 4 CONSULT HIROSE FOR THE OTHER PANEL CUTOUT DESIGNS THAN THE RECOMMENDED ONE.
- 5. PER PACK : 100 PIECES.
- 6. THE DIMENSIONS IN PARENTHESIS ARE FOR REFERENCE.
- 7 THIS FIGURE SHOWS THE MATED CONDITION WITH DF62B-2S-2.2C.

NO.		MATERIAL		FINISH . REMARKS		1	PBT	UL94V-0(BLACK)
UNITS mm		SCALE 5 : 1		COUNT		DESIGNED		CHECKED
HRS		HIROSE ELECTRIC CO., LTD.		APPROVED : KI. AKIYAMA		13.12.18		DRAWING NO. EDC3-349135-00
				CHECKED : OM. MIYAMOTO		13.12.18		PART NO. DF62P-2EP-2.2C
				DESIGNED : TH. YOSHIZAWA		13.12.18		CODE NO. CL544-0543-1-00
				DRAWN : TH. YOSHIZAWA		13.12.18		1/1