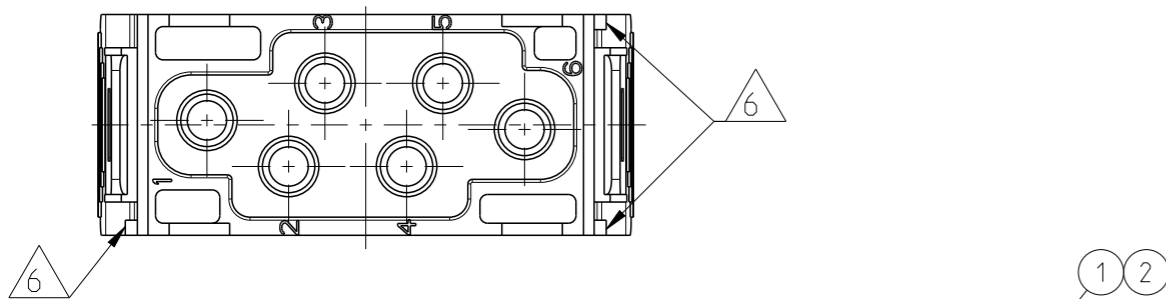


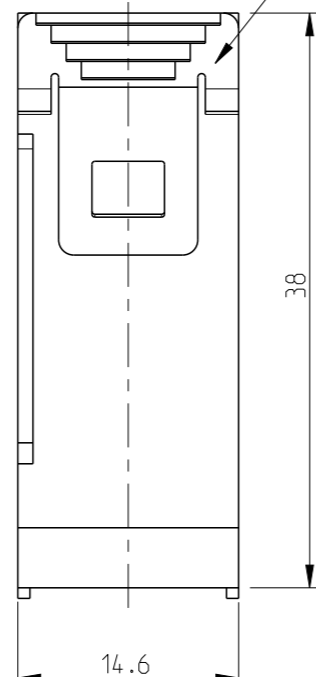
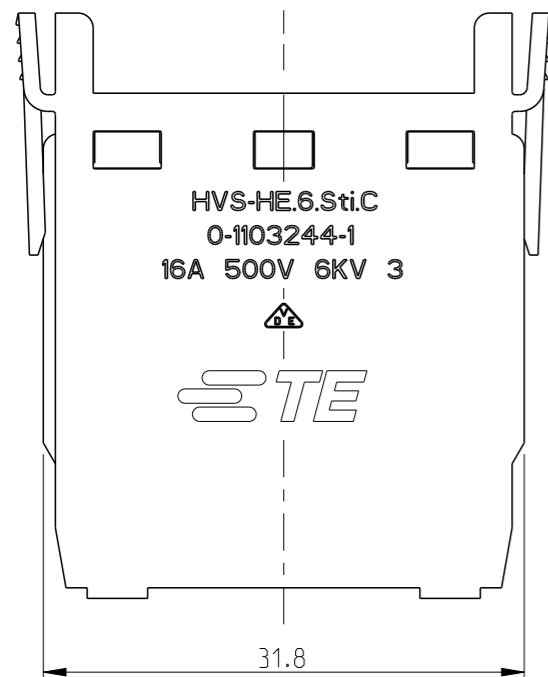
Contact arrangement
view from connecting side

PN 0-1 As Shown

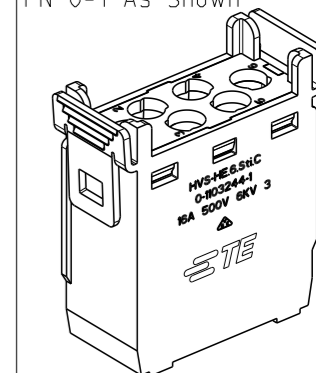


NOTES

- 1 SUITABLE CRIMP CONTACTS: SERIES HE
CUSTOMER DRAWING: 1105100
OUTER DIMENSIONS OF INSULATION: MAX. Ø4.9mm
- 2 SUITABLE MODULE FIXING FRAME: SERIES HVS SIZE 3 TO 8
CUSTOMER DRAWING: 1103250
- 3 SUITABLE INSERTION TOOL:
CUSTOMER DRAWING: 0-1102855-6
- 4 SUITABLE EXTRACTION TOOL:
CUSTOMER DRAWING: 0-1102855-7
- 5 STANDARDS:
DIN EN 61984; DIN EN 60664-1
- 6 POLARIZATION RIBS
- 7 MARKING OF POLARIZATION ACCORDING TO MARKING OF
MODULE FRAME
- 8 PACKAGING:
10 SETS IN A CARTON, PRE-MOUNTED

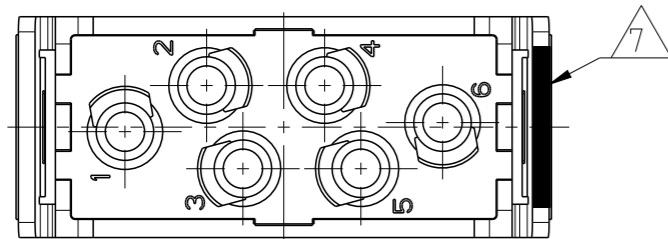


PN 0-1 As Shown




SCALE 1:1


Contact arrangement
view from termination side



QTY	DESCRIPTION	MATERIAL	COLOR	NOTE	ITEM
1	MALE INSERT HVS-HE.6	PBT-GF10	LIGHT GREY		2
1	COVER MALE INSERT HVS-HE.6	PBT-GF15	LIGHT GREY		1

HVS-HE.6.Sti.C					
DWN	24.05.2005	 TE Connectivity MALE INSERT HVS-HE.6.STI.C			
CHK	22.05.2005				
APVD	20.12.2006				
PRODUCT SPEC	T.SCHNURPFIL				
APPLICATION SPEC		NAME			
WEIGHT		SIZE	CAGE CODE	DRAWING NO	RESTRICTED TO
CUSTOMER DRAWING		A3	00779	C-1103244	
SCALE 2:1			SHEET 1 OF 1	REV C	

THIS DRAWING IS A CONTROLLED DOCUMENT.

DIMENSIONS:	TOLERANCES UNLESS OTHERWISE SPECIFIED:
mm	ISO 8075 DIN ISO 2768 mH-E DIN 16901-120
	0 PLC ± 1 PLC ± 2 PLC ± 3 PLC ± 4 PLC ± ANGLES ±
MATERIAL	FINISH
