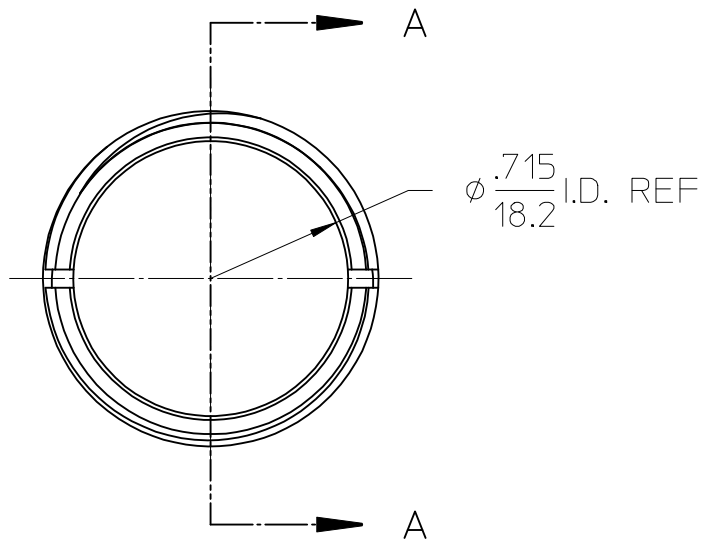
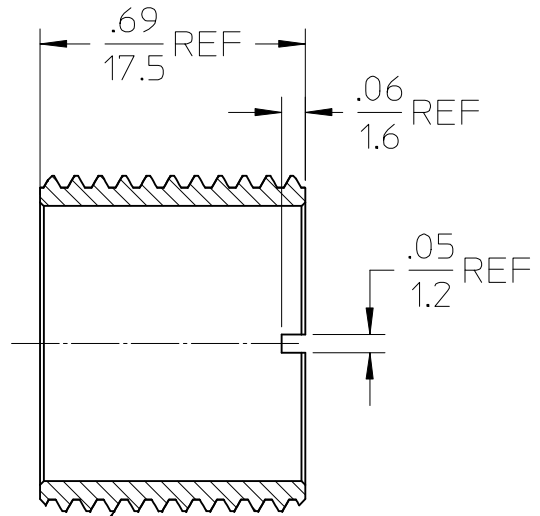


MATL. NO.	ENG NO.	FINISH	MATERIAL
1302011224	55-0426	CLEAR ANODIZE	ALUMINUM
1302011225	55-0426SS	PASSIVATED	ST. STEEL

(B)



7/8-16 UNS-2A THD.

Section A-A

ADD SS P/N EC NO: IPG2013-0880 DRWN:RSTONE 2013/01/22 CH'KD:K. JOZWIK 2013/01/25 APPR:JFMURPHY 2013/03/01 B REV	QUALITY SYMBOLS ▽=0 ▽=0	GENERAL TOLERANCES (UNLESS SPECIFIED) <table border="1"> <thead> <tr> <th></th> <th>mm</th> <th>INCH</th> </tr> </thead> <tbody> <tr> <td>4 PLACES</td> <td>± .005</td> <td>± .0004</td> </tr> <tr> <td>3 PLACES</td> <td>± .004</td> <td>± .0003</td> </tr> <tr> <td>2 PLACES</td> <td>± .003</td> <td>± .0002</td> </tr> <tr> <td>1 PLACE</td> <td>± .002</td> <td>± .0001</td> </tr> </tbody> </table>		mm	INCH	4 PLACES	± .005	± .0004	3 PLACES	± .004	± .0003	2 PLACES	± .003	± .0002	1 PLACE	± .002	± .0001	DIMENSION STYLE IN/MM	SCALE 2:1	DESIGN UNITS INCH	THIRD ANGLE PROJECTION
		mm	INCH																		
	4 PLACES	± .005	± .0004																		
	3 PLACES	± .004	± .0003																		
	2 PLACES	± .003	± .0002																		
1 PLACE	± .002	± .0001																			
		DRAFT WHERE APPLICABLE MUST REMAIN WITHIN DIMENSIONS	DRAWN BY BRUPERT	DATE 08/20/09	TITLE MC THREADED ADAPTER A - SIZE 7/8-16 THD																
			CHECKED BY WOODMAN	DATE 08/20/09																	
			APPROVED BY JFMURPHY	DATE 2009/08/26	MOLEX INCORPORATED																
			MATERIAL NO. SEE CHART	DOCUMENT NO. SD-130201-224	SHEET NO. 1 OF 1																