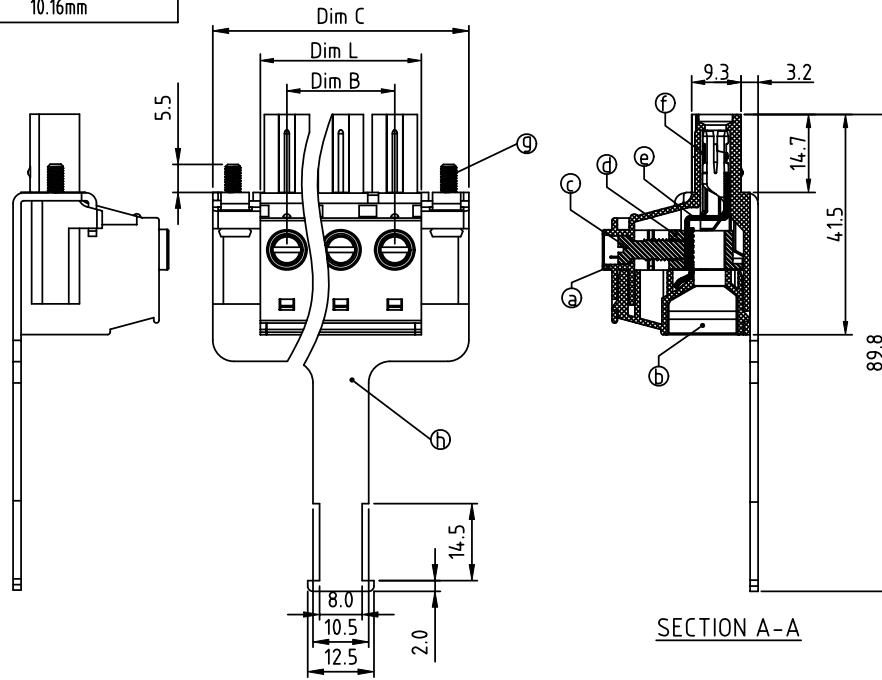
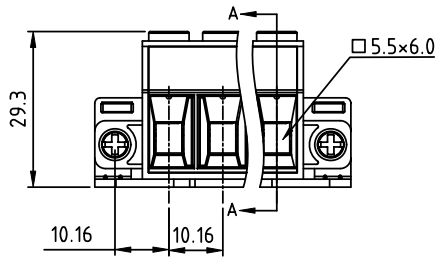


PRODUCT NUMBER	PITCH
EVxx61x200J0G	10.16mm



SECTION A-A



PART NO.: EV xx 61 x 2 00J0 G

Poles	03	04
Dim L	30.32	40.48
Dim B	20.32	30.48
Dim C	48.24	58.4
Tolerance	±0.25	

- | | | | | |
|--|--------------|---|-------------------|-----------------|
| | Solid block | 0 | Black (RAL9005) | RoHS compliant |
| | No. of poles | 2 | Red (RAL3001/D) | (lead<4%) |
| | 03 3 poles | 3 | Orange(RAL2011/P) | In copper Alloy |
| | 04 4 poles | 4 | Yellow(RAL1018/A) | |
| | | 5 | Green(RAL6018/T) | |
| | | 6 | Blue (RAL5015/A) | |
| | | 8 | Grey(RAL7035/D) | |
| | | 9 | White(RAL1102) | |
| | | C | Green(RAL6018/U) | |

Material

- Item A Terminal body :Thermoplastic (UL94V-0)
- Item B Terminal cover :Thermoplastic (UL94V-0)
- Item C Terminal screw :Steel Zinc plating "-" slot type
- Item D Clamp:Brass, Ni plated
- Item E Female contact pin :Copper Tin plated
- Item F Wire guard :Stainless Steel
- Item G With flange screw :Steel Zinc plating M3"+/-"slot type
- Item H With steel holder :Steel Zinc plating

Electrical cULus / IEC

- Voltage rating: 300VAC / 1000VAC
- Current rating: 55A / 76A
- Solid wire (AWG):6-20 / 0.5-16mm²
- Stranded wire(AWG): 6-20 / 0.5-16mm
- Torque: 10.4 Lb-In / 1.2 N.m
- Screw: M4.5
- Wire strip length: 13-14mm
- Withstanding Voltage: 1.6KV / 8KV
- Operating temperature: -40°C to +115°C
- Safety approval:

mat'l. code		surface ASME Y14.5	tolerance ASME Y14.5	projection 	product family TERMINAL BLOCK
ltr	ecn no	dr	date	tolerances unless otherwise specified	title TERMINAL BLOCK
				angles 	PLUGGABLE PLUG, WITH FLANGE, WITH HANDLE
				X±1°	scale
				dr EVIN ZHONG 041814	dwg no
				enrg EVIN ZHONG 041814	sheet 1 of 1
				chr HANKE FENG 041814	EVxx61x200J0G
				appd SHI JUN 041814	size A4
					type CUSTOMER Drawing
sheet index	revision	A			
	sheet	1			