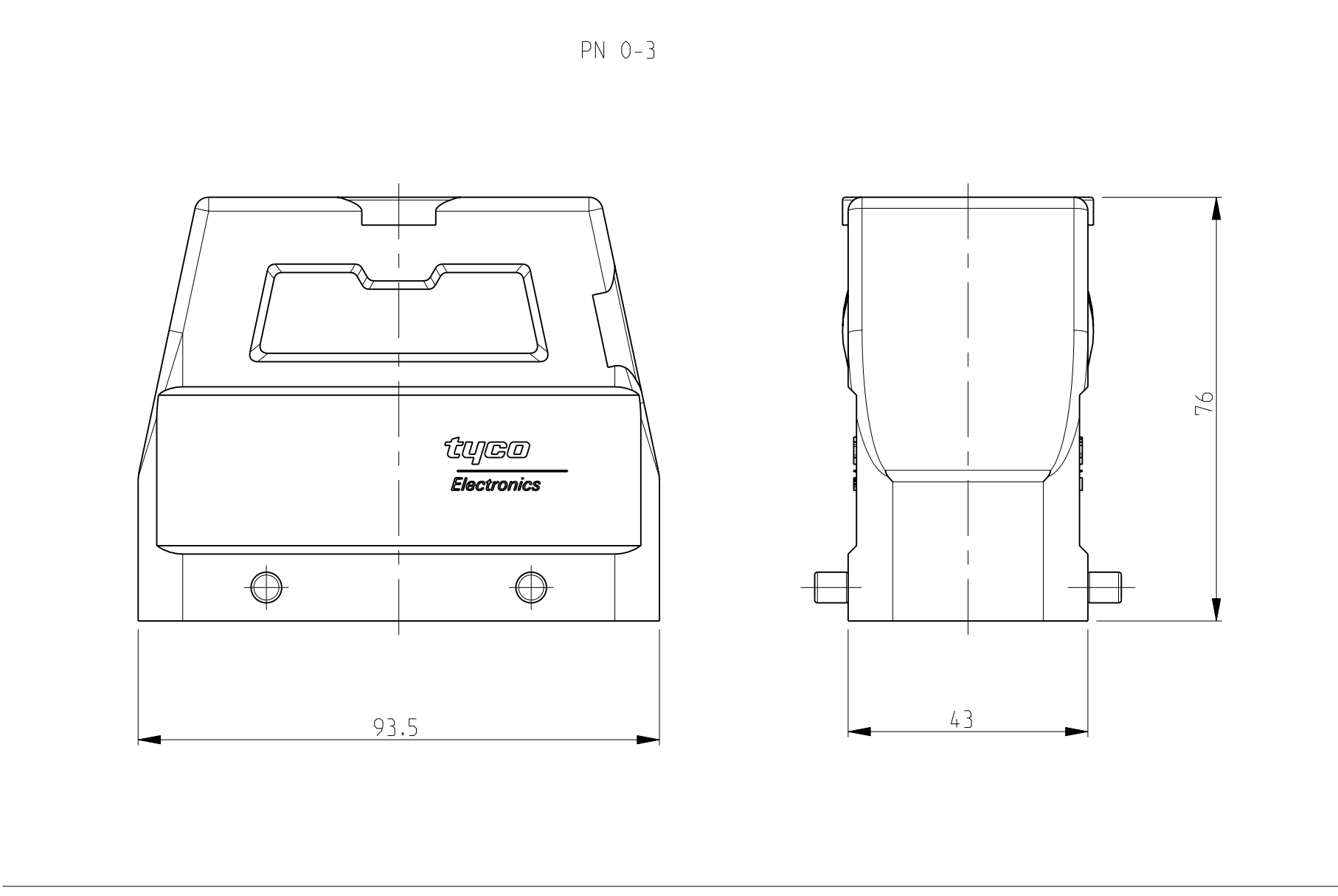
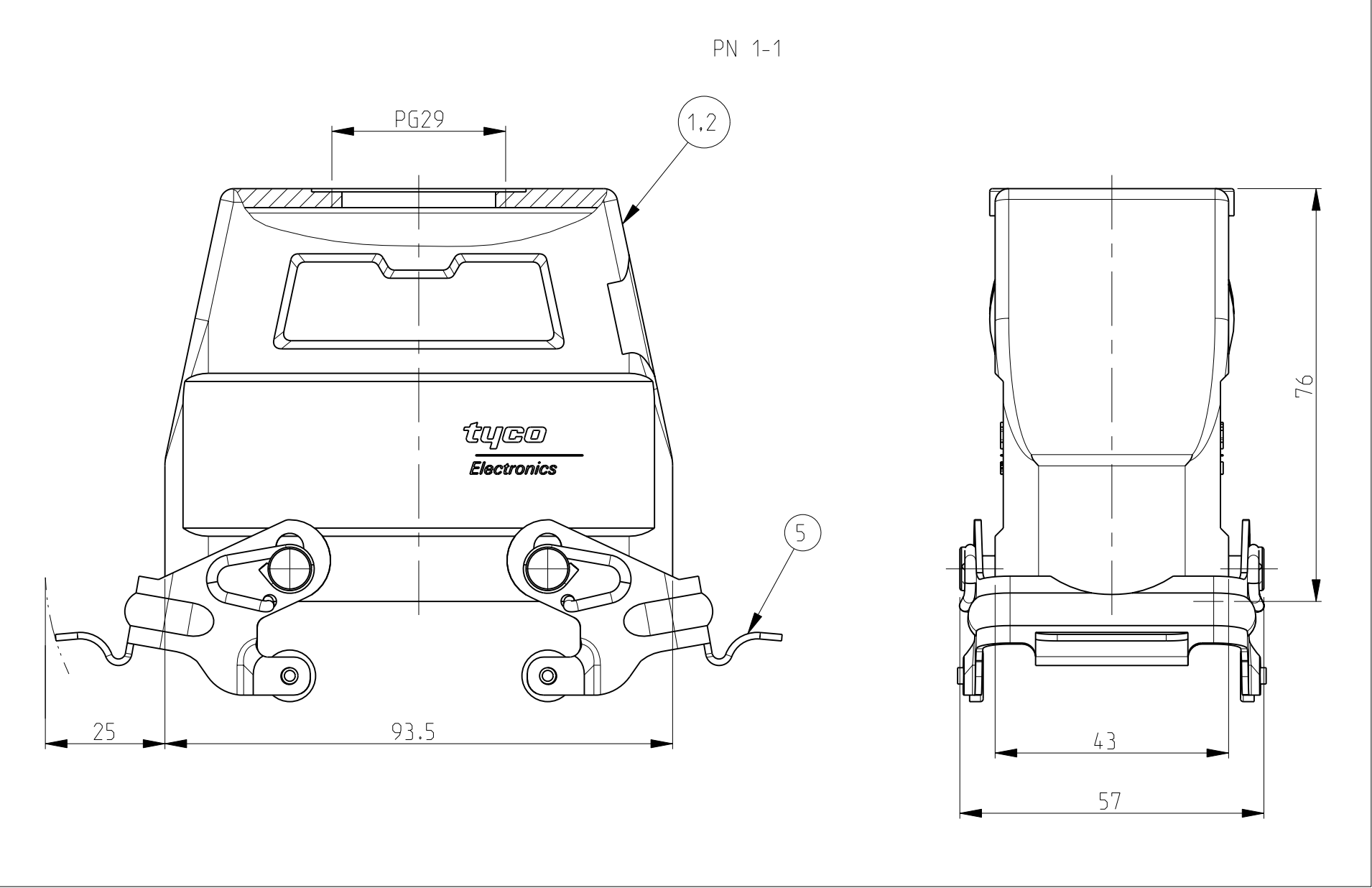
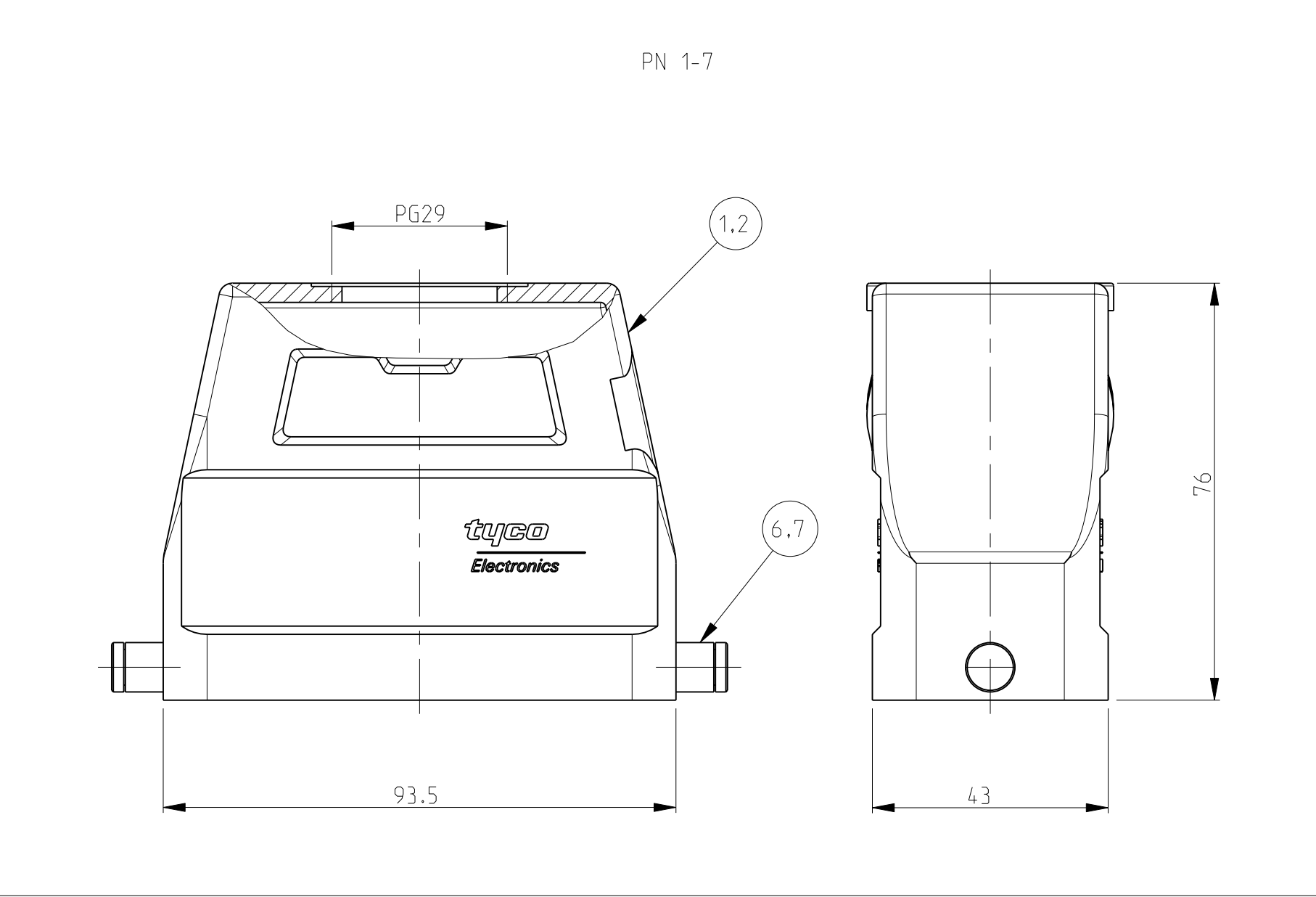
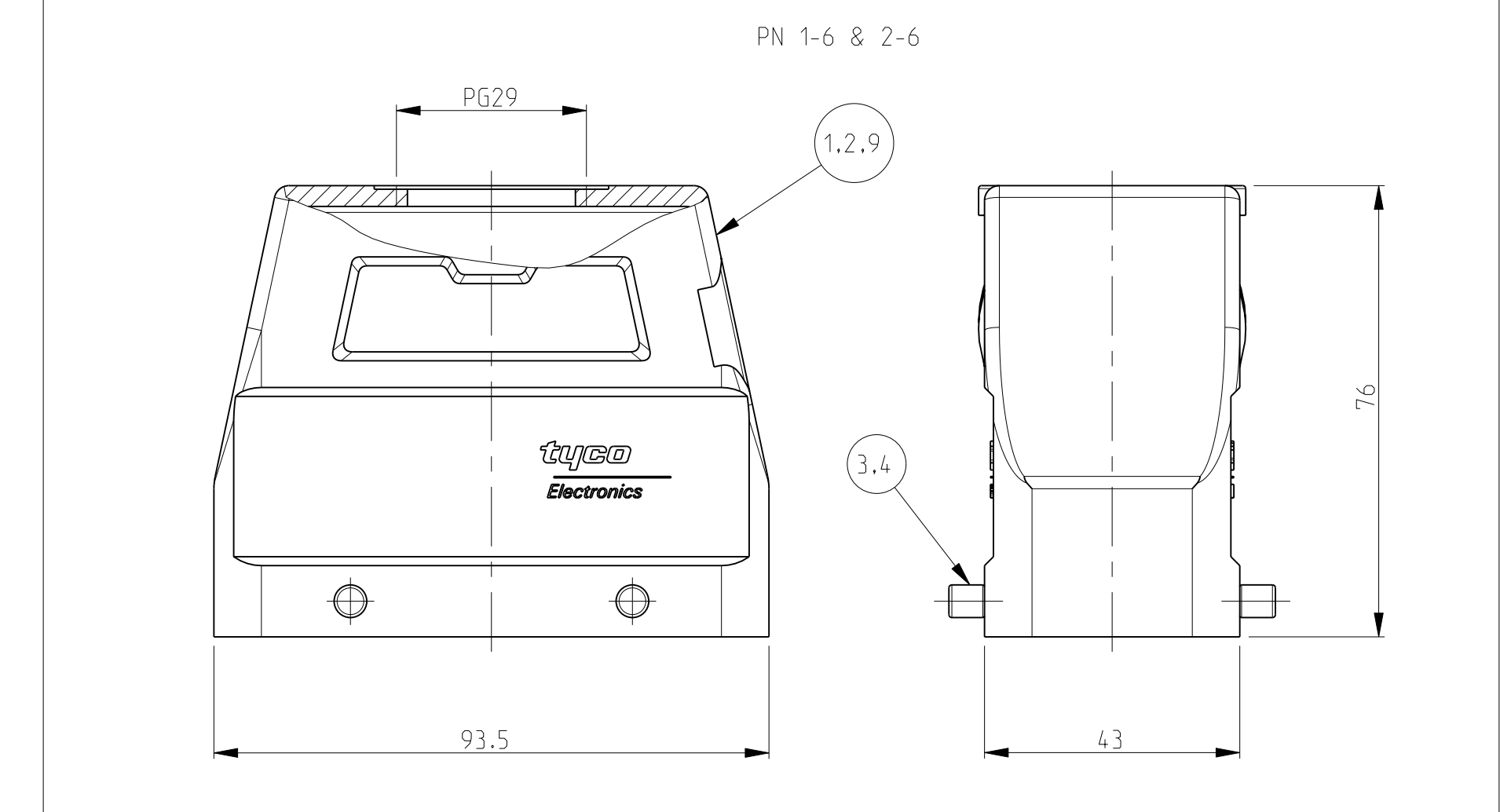
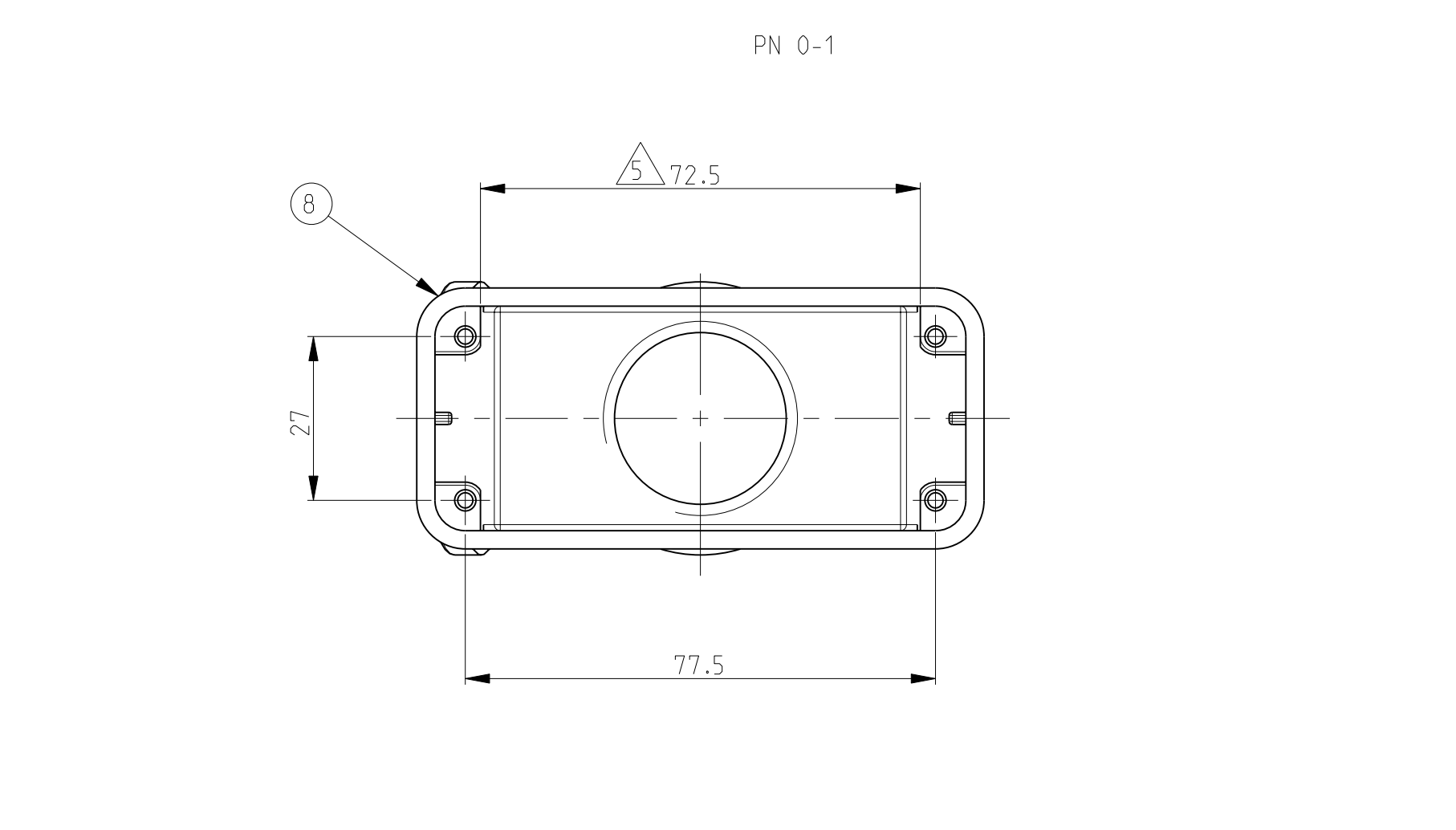
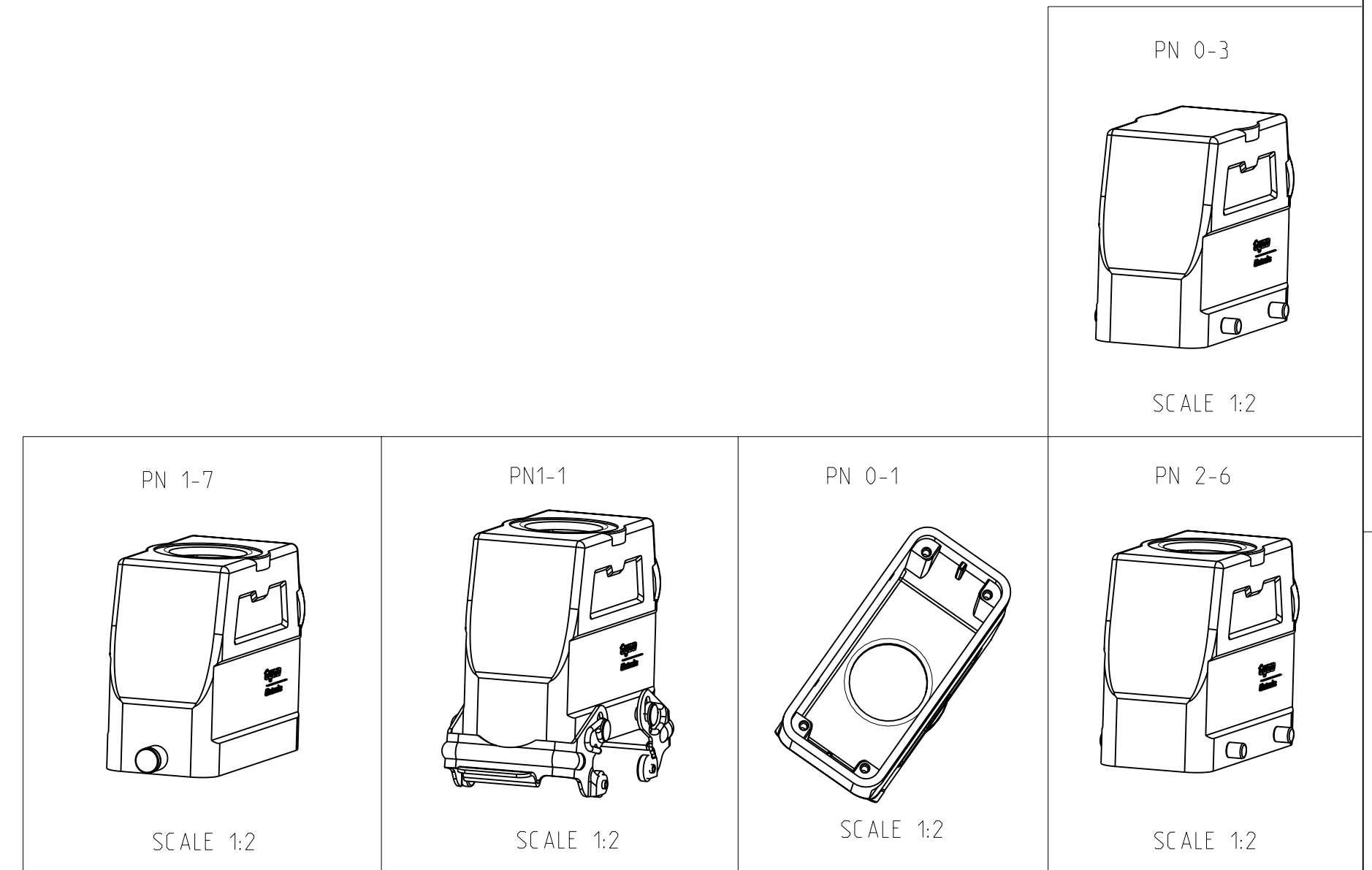


LOC	DIST	REV	DESCRIPTION	DATE	DWN	APVD
A1	-	A6	Released as per ECR-07-012890	09-07-07	SK	TS



- NOTES
- Material: Housing: aluminium diecasting alloy
  - Surface:- Powder varnish-grey  
Varnish black
  - Varnish on the inside not necessarily
  - Packaging quantity: 5 pieces
- △ Valid only for PN 0-1  
Landing at measure 72.5 (20mm Deep) milled off : bothsides



QTY	ITEM NO	DESCRIPTION	MATERIAL	SURFACE	COLOR	ITEM NO	NOTES
1	1	HD-K Hood	Aluminium	Aluminium oxide	Black	9	With out PG-thread
2	1	HD-K Hood	Aluminium	Aluminium oxide	Black	8	Landing milled off △
	2	LB-Clip bolt	Stainless Steel	Even	-	7	-
	2	LB-Clip bolt	Steel	Zinc plated	Blue	6	-
4	4	VS-Locking clip	Steel	Zinc plated	Blue	5	-
	4	VS-Clip bolt	Stainless Steel	Even	-	4	-
	4	VS-Clip bolt	Steel	Zinc plated	Blue	3	-
	1	HD-K Hood	Aluminium	Aluminium oxide	Black	2	-
	1	HD Hood	Aluminium	-	Grey	1	-

ORDERING TEXT

HD.40.STO.1.29.G  
 HD-K.40.STO.1.29.G  
 HD.40.STO-VS.1.29.G  
 HD.40.STO-GR.1.29.G  
 HD-K.40.STO.1.29.G △  
 HD-K.40.STO-GR.1.29.G △

HD-K.40.ST

DIMENSIONS: mm 		TOLERANCES UNLESS OTHERWISE SPECIFIED: 0 DIM ±0.10 1 PLC ±0.15 2 PLC ±0.20 3 PLC ±0.25 4 PLC ±0.30 ANGLES ±0.5° FINISH ±0.10		DWN Schneider 30.05.00 CHK Schneider 30.05.00 APVD -		Tyco Electronics Tyco Electronics, AMP GmbH 0-53819, Neunkirchen, Germany	
MATERIAL: - FINISH: -		PRODUCT SPEC: - APPLICATION SPEC: -		NAME: HOOD HD.40.STO.1.29.G		SIZE: A1   00779   C=1102573 SCALE: 1:1 SHEET: 1 OF 1 REV: A6	