

NOTES:

1. MATERIALS AND FINISHES:

BODY - BRASS (ASTM-B16 H02, C36000), NICKEL PLATING
 CONTACT PIN - PHOSPHOR BRONZE, GOLD PLATING
 INSULATOR - PTFE PER ASTM D 1710 OR EQUIV.

2. ELECTRICAL:

A. IMPEDANCE: 50 OHM
 B. FREQUENCY RANGE: DC - 11 GHz
 C. VSWR: 1.25 GHz MAX

3. MECHANICAL:

A. TEMPERATURE RANGE: -65°C TO +165°C
 B. MATING CYCLES: 500 MIN.

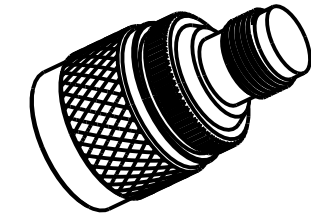
4. PACKAGING:

A. QUANTITY: SINGLE PACK
 B. MARKING: BAG TO BE MARKED
 "AMPHENOL, APH-NP-TNCJ, AND DATE CODE

THIRD ANGLE PROJ.

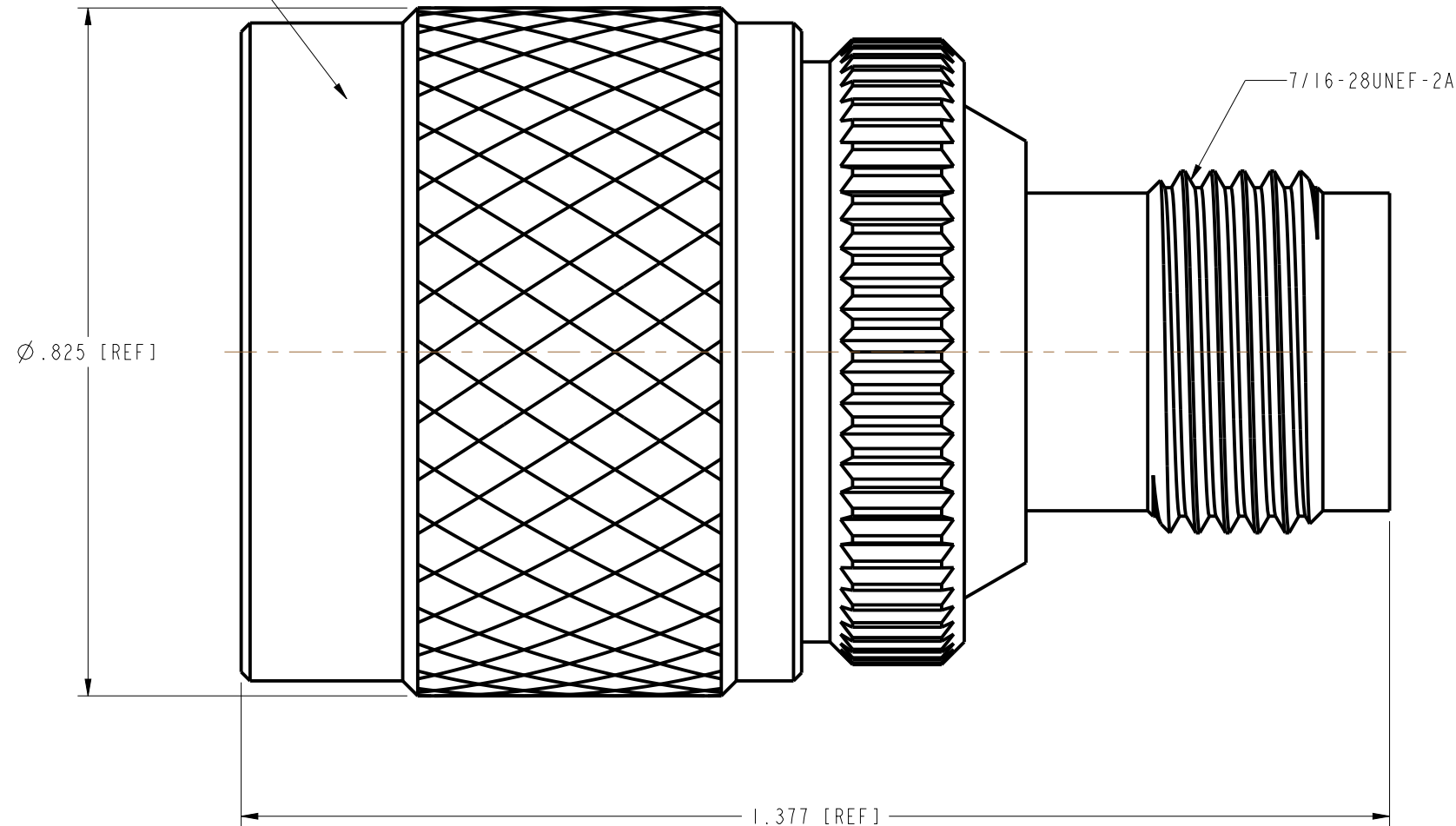
REVISIONS

REV	DESCRIPTION	DATE	ECO	APPR
A	RELEASE TO MFG	12-Sep-06	46260	CPM
B	ADDED NOTES 2C AND 3B	8/12/14	50069	MJD



SCALE 1.000

5/8-24UNEF-2B (INTERNAL)



CUSTOMER OUTLINE DRAWING

ALL OTHER SHEETS ARE FOR INTERNAL USE ONLY

UNLESS OTHERWISE SPECIFIED, DIMENSIONS ARE IN METRIC AND TOLERANCES ARE:

<0.5mm	0.5 - 6mm	6 - 30mm	30 - 120mm	ANGLES
± 0.05mm	± 0.1mm	± 0.2mm	± 0.3mm	± 1°

NOTICE - These drawings, specifications, or other data (1) are, and remain the property of Amphenol corp. (2) must be returned upon request; and (3) are confidential and not to be disclosed to any person other than those to whom they are given by Amphenol Corp. the furnishing of these drawings, specifications, or other data by Amphenol Corp., or to any other person to anyone for any purpose is not to be regarded by implication or otherwise in any manner licensing, granting rights to permitting such holder or any other person to manufacture, use or sell any product, process or design, patented or otherwise, that may in any way be related to or disclosed by said drawings, specifications, or other data.

MATERIAL	-
REFERENCE	CONNEX # 242130
CONFIGURATION LEVEL:	
FINISH	

DRAWN	M. DEFRANCO	DATE	12-Jun-14
ENGINEER	M. DEFRANCO	DATE	12-Jun-14
APPROVED	O. BARTHELMES	DATE	9/8/06
CAD FILE			

TITLE	
N MALE TO TNC FEMALE ADAPTER	
SCALE: 5.0:1.0	SHEET 1 OF 1
DWG SIZE	REV
B	B

Amphenol RF	
www.amphenolrf.com	
DRAWING NO. APH-NP-TNCJ	
ITEM NO. APH-NP-TNCJ	
PART NO. APH-NP-TNCJ	