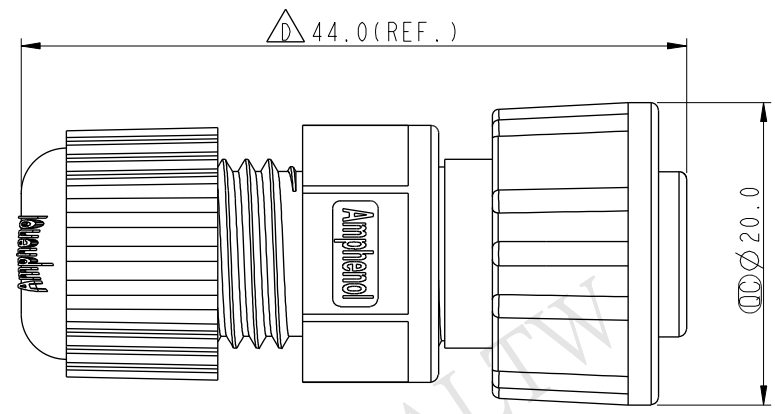
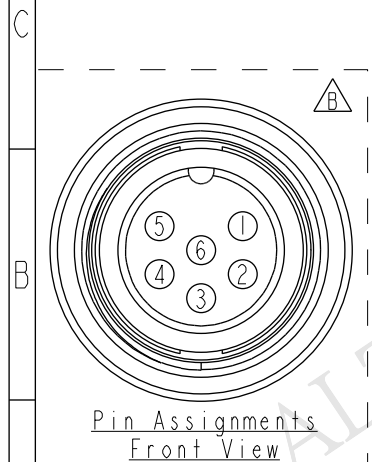
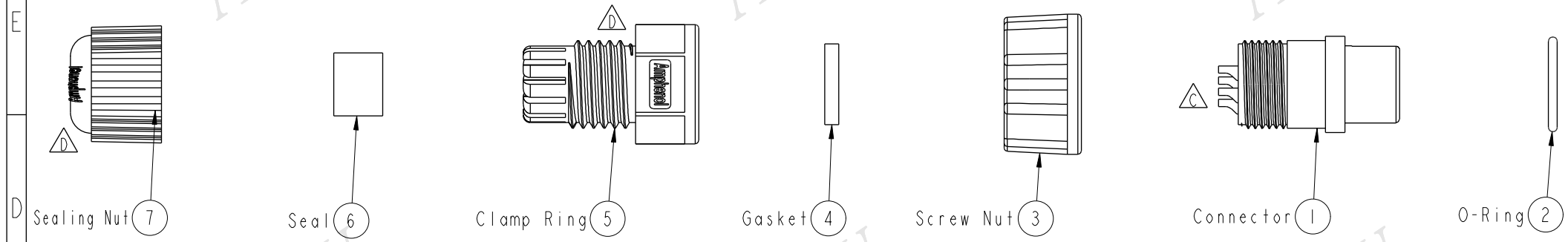


THIS DOCUMENT IS SUBJECT TO CHANGE WITHOUT NOTICE. IT IS CONFIDENTIAL AND A PROPERTY OF Amphenol LTW. DISCLOSURE TO THIRD PARTY HAS TO BE AUTHORIZED BY Amphenol LTW.

REV.	ECN NO.	DATE	SIGN	DESCRIPTION
B	LE3-910097	2009/01/09	Li Xiu Zhi	Change Note & View
C	LEN-0C0589	2010/11/29	Ivan	Change View
D	LEN14C0042	2014/11/24	Vicky	Update Logo & Dimension

**ALTW**  
 CONFIDENTIAL  
 2014-11-24  
 R&D DEPT.

**ALTW**  
 DCC. DEPT.  
 CONFIDENTIAL  
 2014.12.03  
 ISSUED



- Note:
- \*  $\text{CC}$  Important Dimension To Check.
  - \* Waterproof Rate: IP67
  - \* Housing: Nylon+GF, Black
  - \* Female Pin: Copper Alloy, Gold Plated
  - \* O-Ring: EPDM, Black
  - \*  $\text{B}$  Screw Nut: Nylon+GF, Black
  - \* Gasket: EPDM, Black
  - \* Clamp Ring: Nylon, Black
  - \* Seal: EPDM, Black
  - \* Sealing Nut: Nylon, Black
  - \* Seal For Cable OD:  $\varnothing 4.5\text{mm} \sim \varnothing 6.5\text{mm}$   
(防水墊圈線徑:  $\varnothing 4.5\text{mm} \sim \varnothing 6.5\text{mm}$ )
  - \* One Set Unassembled In One PE Bag  
(每一組未組裝, 放置於一個PE袋, 並封口)

UNIT: mm		TITLE		ITEM NO	DRAWN BY	DATE
		STANDARD ASSY SCREW 6PIN F CONN F PIN		BD-06BFFA-SL7001	Vicky	2014-11-24
TOLERANCE		SCALE	SIZE	DWG NO	CHECKED BY	DATE
.X ±0.25		5:4	A4	BD-06BFFA-SL7001	Sam	2014-11-24
.XX ±0.1	REV.	WC-REV.	$\text{CC}$ : Inspection item	CUSTOMER	APPROVED BY	DATE
.XXX ±0.05	D	A.2		ALTW	Rita	2014-11-24
ANGLES ±1°						

**Amphenol LTW**  
 安費諾亮泰企業股份有限公司