

THE INFORMATION CONTAINED HEREIN IS CONSIDERED 'PROPRIETARY' TO BEL FUSE INC. AND SHALL NOT BE COPIED, REPRODUCED OR DISCLOSED WITHOUT THE WRITTEN APPROVAL OF BEL FUSE INC.

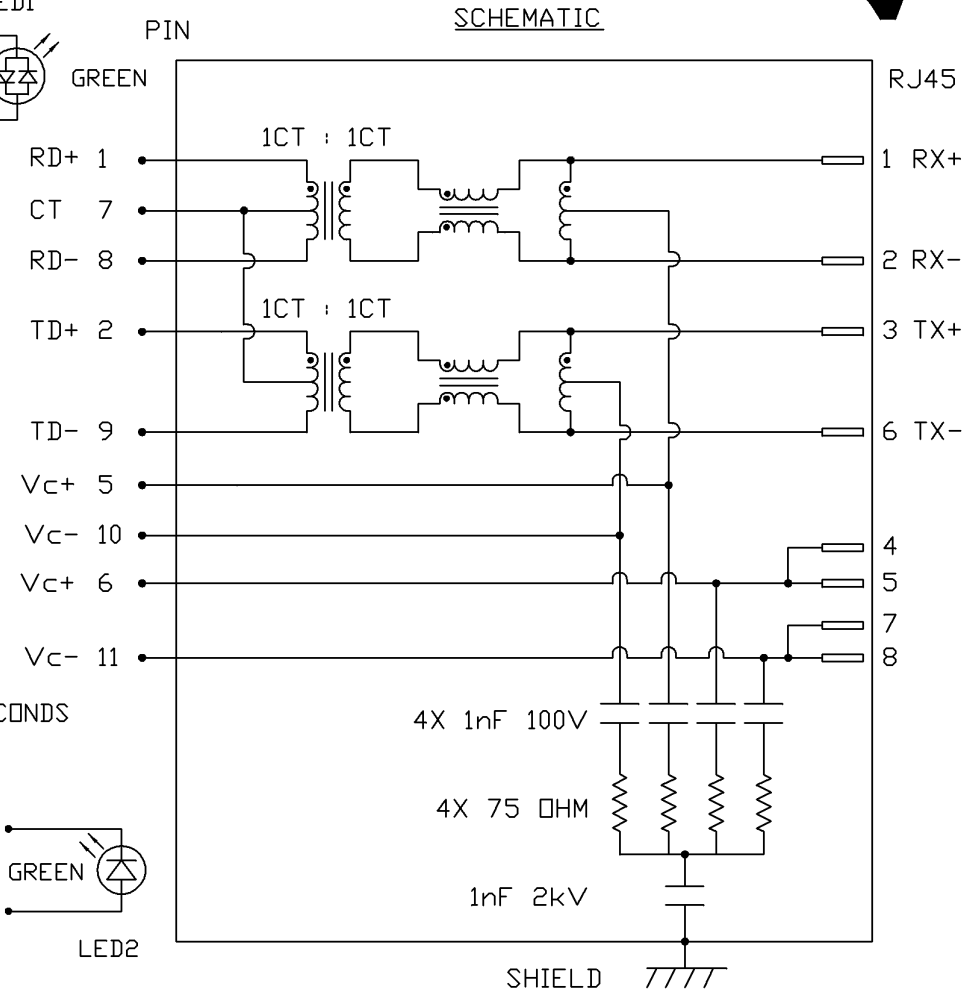
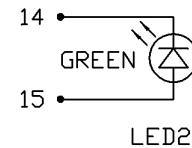
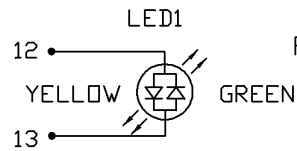
RoHS
2002/95/EC



LED1 POLARITY			LED2 POLARITY		
PIN 12	PIN 13	COLOR	PIN 14	PIN 15	COLOR
-	+	GREEN	-	+	GREEN
+	-	YELLOW			

ELECTRICAL CHARACTERISTICS @ 25°C

URNS RATIO	1CT : 1CT ±2%
QCL @ 100kHz/100mVRMS 8mA DC BIAS	350µH MIN.
INSERTION LOSS 100kHz TO 100MHz	-1.5 dB MAX.
RETURN LOSS (MIN.) 2MHz-30MHz	-16 dB MIN.
60MHz-80MHz	-10 dB MIN.
LEAKAGE INDUCTANCE PRIMARY W/ SECONDARY SHORTED	0.25µH MAX. @ 1MHz
D.C. RESISTANCE (8-1)=(9-2)	1.0 OHM MAX.
(RJ1-RJ2)=(RJ3-RJ6)	1.40 OHM MAX.
INTERWINDING CAPACITANCE PER CHANNEL (PRI. to SEC.)	40 pF MAX.
CROSS TALK 100kHz - 100MHz	-30 dB MIN.
BALANCED DC LINE CURRENT	350mA MAX. @ 57 VDC CONTINUOUS
	500mA MAX. @ 57 VDC FOR 200 MILLSECONDS
HIPOT (ISOLATION VOLTAGE)	2250 VDC
100% OF PRODUCTION TESTED TO COMPLY WITH IEEE 802.3 ISOLATION REQUIREMENTS	
LED 1	
VF (FORWARD VOLTAGE)	IF=20mA GREEN 2.2V TYP.
	IF=20mA YELLOW 2.1V TYP.
λD (DOMINANT WAVELENGTH)	IF=20mA GREEN 565nm TYP.
	IF=20mA YELLOW 590nm TYP.
LED 2	
VF (FORWARD VOLTAGE)	IF=20mA GREEN 2.2V TYP.
λD (DOMINANT WAVELENGTH)	IF=20mA GREEN 565nm TYP.



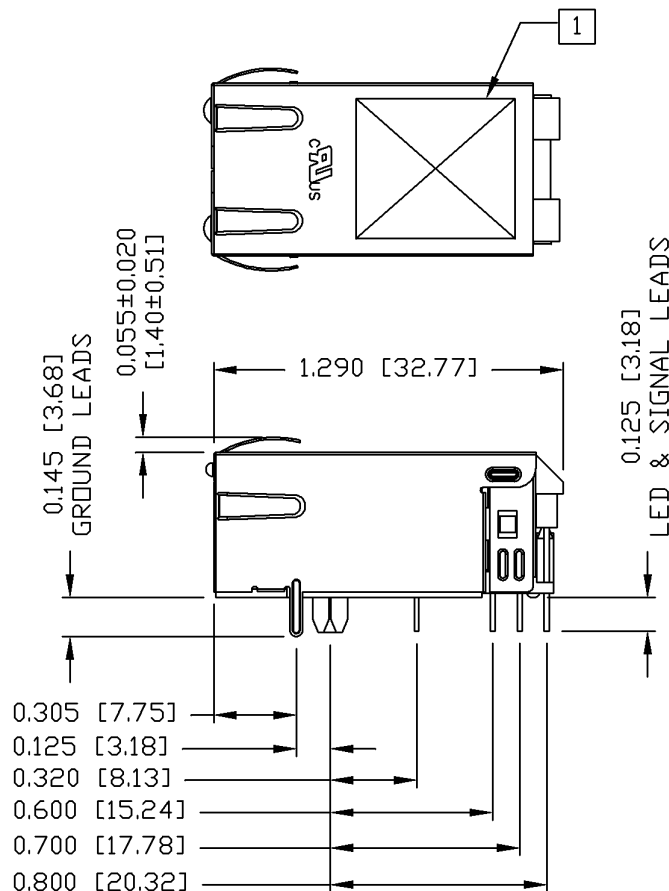
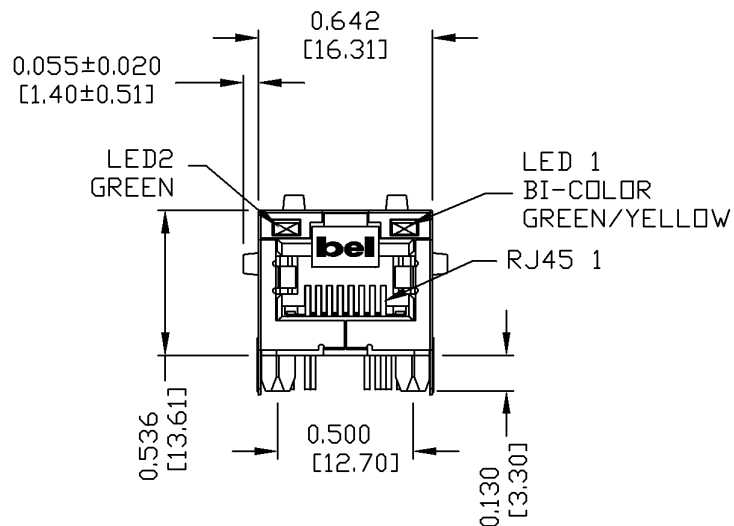
ORIGINATED BY	DATE	TITLE	PART NO. / DRAWING NO.	STANDARD DIM.	[] METRIC DIM. AS REFERENCE	
CHOW WANGCHUNG	11-28-08	10/100 MagJack® PoE	08261L1T57-F	TOL. IN INCH	UNIT : INCH [mm]	REV. : C
DRAWN BY	DATE	FILE NAME		.X	SCALE : N/A	SIZE : A4
LEE WEIDE	11-28-08	0826-1L1T-57-F	08261L1T57-F_C.DWG	.XX		PAGE : 2
				.XXX		



THE INFORMATION CONTAINED HEREIN IS CONSIDERED "PROPRIETARY" TO BEL FUSE INC. AND SHALL NOT BE COPIED, REPRODUCED OR DISCLOSED WITHOUT THE WRITTEN APPROVAL OF BEL FUSE INC.

MECHANICAL SPECIFICATION

RoHS
2002/95/EC



NOTES:

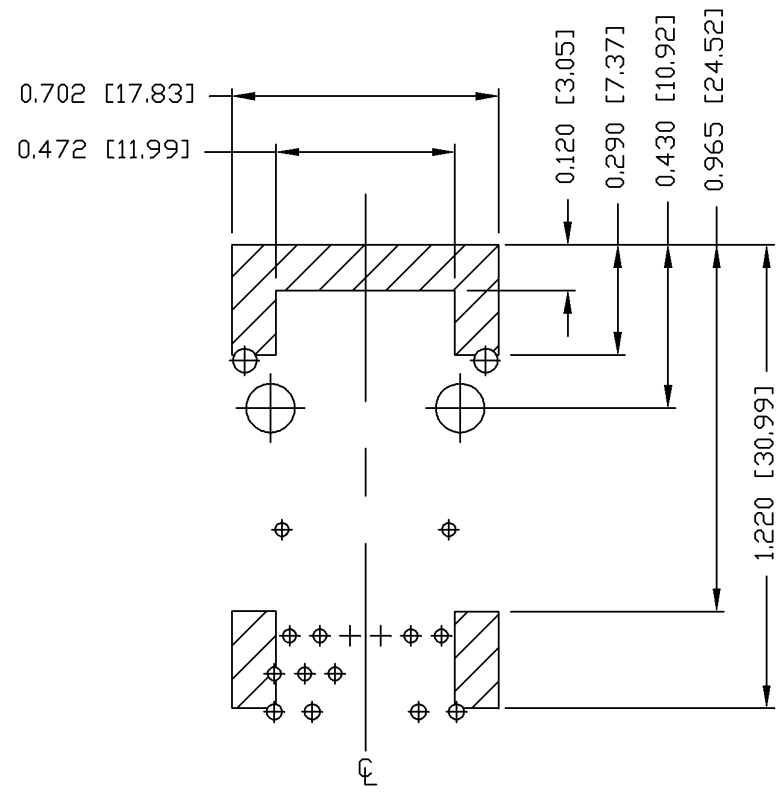
- PLASTIC HOUSING: THERMOPLASTIC PA
- FLAMMABILITY RATING UL 94V-0
- CONTACTS: 50 MICRO-INCH HARD GOLD PLATING
- OUTPUT PINS: TIN-COATED COPPER WIRE, DIA 0.018 INCH.
- METAL SHIELD: NICKEL PLATED ON COPPER ALLOY.
(ALL GROUND LEADS ARE SOLER DIPPED)

- 1. MARK PART WITH MFG LOGO, MFG NAME, PART NUMBER, AND DATE CODE.
- RoHS COMPLIANCE, PER EU DIRECTIVE 2002/95/EC.
- JACK CAVITY CONFORMS TO FCC RULES AND REGULATIONS.

ORIGINATED BY	DATE	TITLE	PART NO. / DRAWING NO.	STANDARD DIM. TOL. IN INCH	[] METRIC DIM. AS REFERENCE
LIU QIN	11-28-08	10/100 MagJack® PoE	08261L1T57-F	.X	UNIT : INCH [mm] REV. : C
DRAWN BY	DATE			.XX	SCALE : N/A SIZE : A4
XIAN JIAXIN	11-28-08	0826-1L1T-57-F	08261L1T57-F_C.DWG	.XXX ±0.010	PAGE : 3



THE INFORMATION CONTAINED HEREIN IS CONSIDERED "PROPRIETARY" TO BEL FUSE INC. AND SHALL NOT BE COPIED, REPRODUCED OR DISCLOSED WITHOUT THE WRITTEN APPROVAL OF BEL FUSE INC.



NOTES

THE SHADED AREA ON THE CUSTOMER BOARD ARE RECOMMENDED TO BE CLEAR OFF ANY VIA HOLE OR COMPONENT PAD.

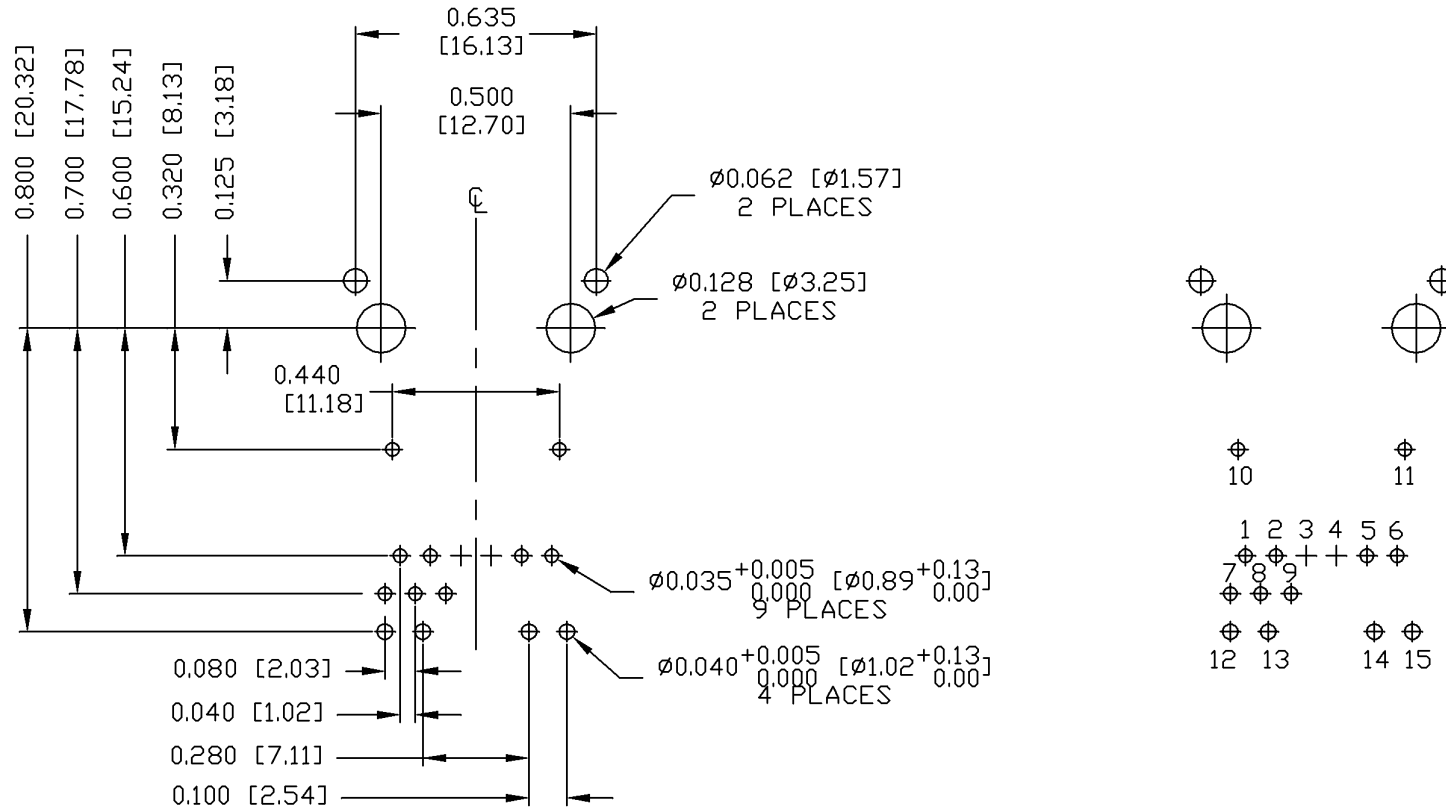
ORIGINATED BY LIU QIN	DATE 11-28-08	TITLE 10/100 MagJack® PoE 0826-1L1T-57-F	PART NO. / DRAWING NO. 08261L1T57-F	STANDARD DIM. TOL. IN INCH	[] METRIC DIM. AS REFERENCE	bel COMPONENTS CONNECTED PLANET
DRAWN BY XIAN JIAXIN	DATE 11-28-08		FILE NAME 08261L1T57-F_C.DWG	.X .XX .XXX	UNIT : INCH [mm] SCALE : N/A ±0.004	

THE INFORMATION CONTAINED HEREIN IS CONSIDERED "PROPRIETARY" TO BEL FUSE INC. AND SHALL NOT BE COPIED, REPRODUCED OR DISCLOSED WITHOUT THE WRITTEN APPROVAL OF BEL FUSE INC.

RoHS
2002/95/EC



RECOMMENDED PCB FOOTPRINT
COMPONENT SIDE VIEW

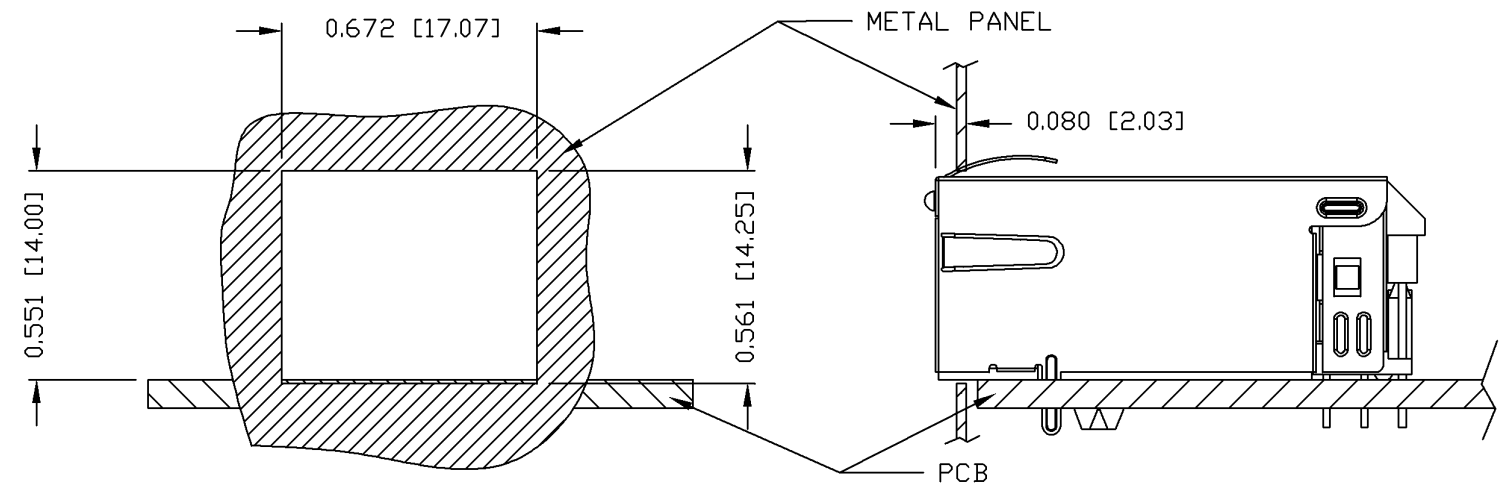


ORIGINATED BY LIU QIN	DATE 11-28-08	TITLE 10/100 MagJack® PoE 0826-1L1T-57-F	PART NO. / DRAWING NO. 08261L1T57-F	STANDARD DIM. TOL. IN INCH	[] METRIC DIM. AS REFERENCE	bel COMPONENTS FOR A CONNECTED PLANET
DRAWN BY XIAN JIAXIN	DATE 11-28-08		FILE NAME 08261L1T57-F_C.DWG	.X .XX .XXX	±0.004	

THE INFORMATION CONTAINED HEREIN IS CONSIDERED "PROPRIETARY" TO BEL FUSE INC. AND SHALL NOT BE COPIED, REPRODUCED OR DISCLOSED WITHOUT THE WRITTEN APPROVAL OF BEL FUSE INC.



SUGGESTED PANEL OPENING



NOTE:

THE DISTANCE OF PANEL INSIDE SURFACE RELATIVE TO FRONT SURFACE OF PART IS ONLY A SUGGESTION. IN CASE THIS DISTANCE IS DIFFERENT, THE REQUIRED PANEL OPENING DIMENSIONS CHANGE ACCORDINGLY.

PACKING INFORMATION

PACKING TRAY : 0200-9999-F6 (TOP)

0200-9999-F7 (BOTTOM)

PACKING QUANTITY : 40 PCS FINISHED GOODS PER TRAY

10 TRAYS (400 PCS FINISHED GOODS) PER CARTON BOX

NOTE : CARDBOARDS ARE PLACED BETWEEN LAYERS OF PACKING TRAY INSIDE CARTON BOX (INCLUDE THE UPPERMOST AND LOWERMOST TRAY)

ORIGINATED BY LIU QIN	DATE 11-28-08	TITLE 10/100 MagJack® PoE 0826-1L1T-57-F	PART NO. / DRAWING NO. 08261L1T57-F	STANDARD DIM. TOL. IN INCH	[] METRIC DIM. AS REFERENCE	bel COMPONENTS FOR A CONNECTED PLANET
DRAWN BY XIAN JIAXIN	DATE 11-28-08		FILE NAME 08261L1T57-F_C.DWG	.X .XX .XXX ±0.004	UNIT : INCH [mm] SCALE : N/A	