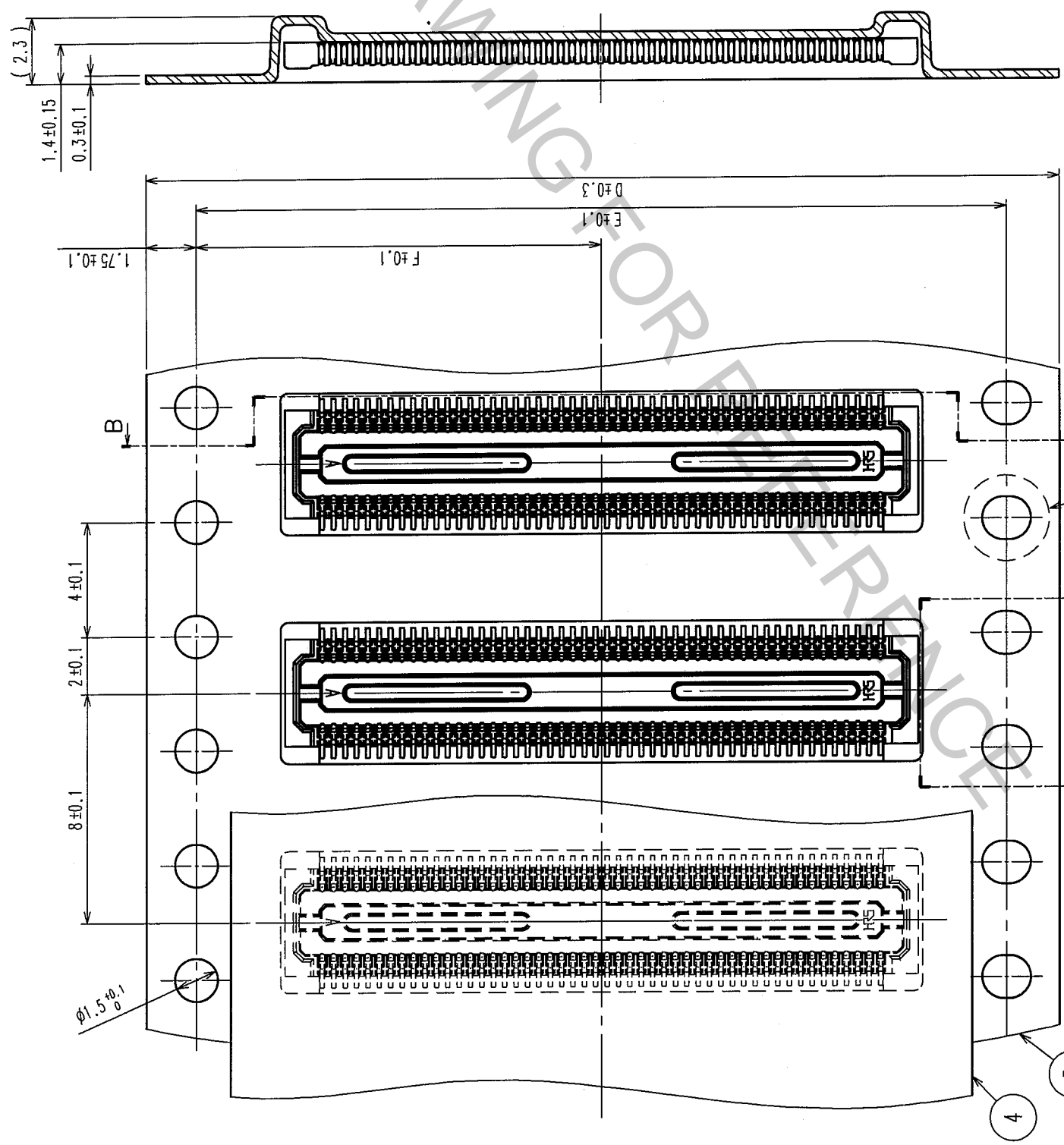
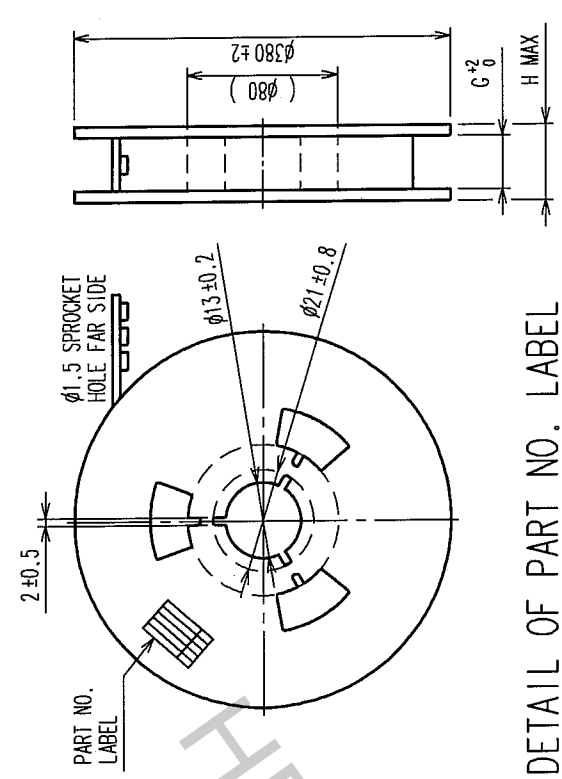


COUNT	DESCRIPTION OF REVISIONS	BY	CHKD	DATE	COUNT	DESCRIPTION OF REVISIONS	BY	CHKD	DATE
△									
△									
△									

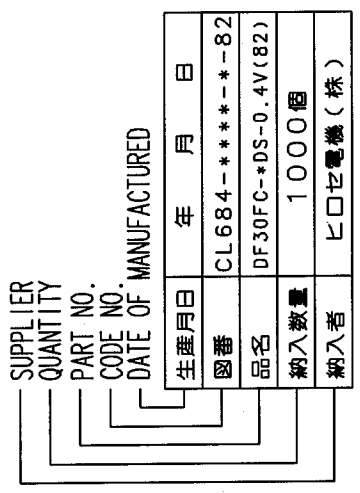
B-B



STYLE AND DIMENSION OF REEL (FREE)



DETAIL OF PART NO. LABEL



PART NO.	D	E	F	G	H
DF30FC-80DS-0.4V(82)	32	28.4	14.2	32.4	38.4
DF30FC-70DS-0.4V(82)	24	-	11.5	24.4	30.4
DF30FC-60DS-0.4V(82)	24	-	11.5	24.4	30.4
DF30FC-50DS-0.4V(82)	24	-	11.5	24.4	30.4
DF30FC-40DS-0.4V(82)	24	-	11.5	24.4	30.4
DF30FC-34DS-0.4V(82)	16	-	7.5	16.4	22.4
DF30FC-30DS-0.4V(82)	16	-	7.5	16.4	22.4
DF30FC-24DS-0.4V(82)	16	-	7.5	16.4	22.4
DF30FC-22DS-0.4V(82)	16	-	7.5	16.4	22.4
DF30FC-20DS-0.4V(82)	16	-	7.5	16.4	22.4

CODE NO. (OLD)

SCALE 5 : 1

UNITS mm

DRAWING NO. EDC3-303556-05

DRAWN T. NISHI

DESIGNED K. Nishida

CHECKED K. Nishida

APPROVED J. Oka

RELEASED

PART NO. DF30FC-DS-0.4V(82)

DRAWING NO. EDC3-303556-05

SCALE 5 : 1

UNITS mm

HIROSE ELECTRIC CO., LTD.

CODE NO. CL684-***-82

TO