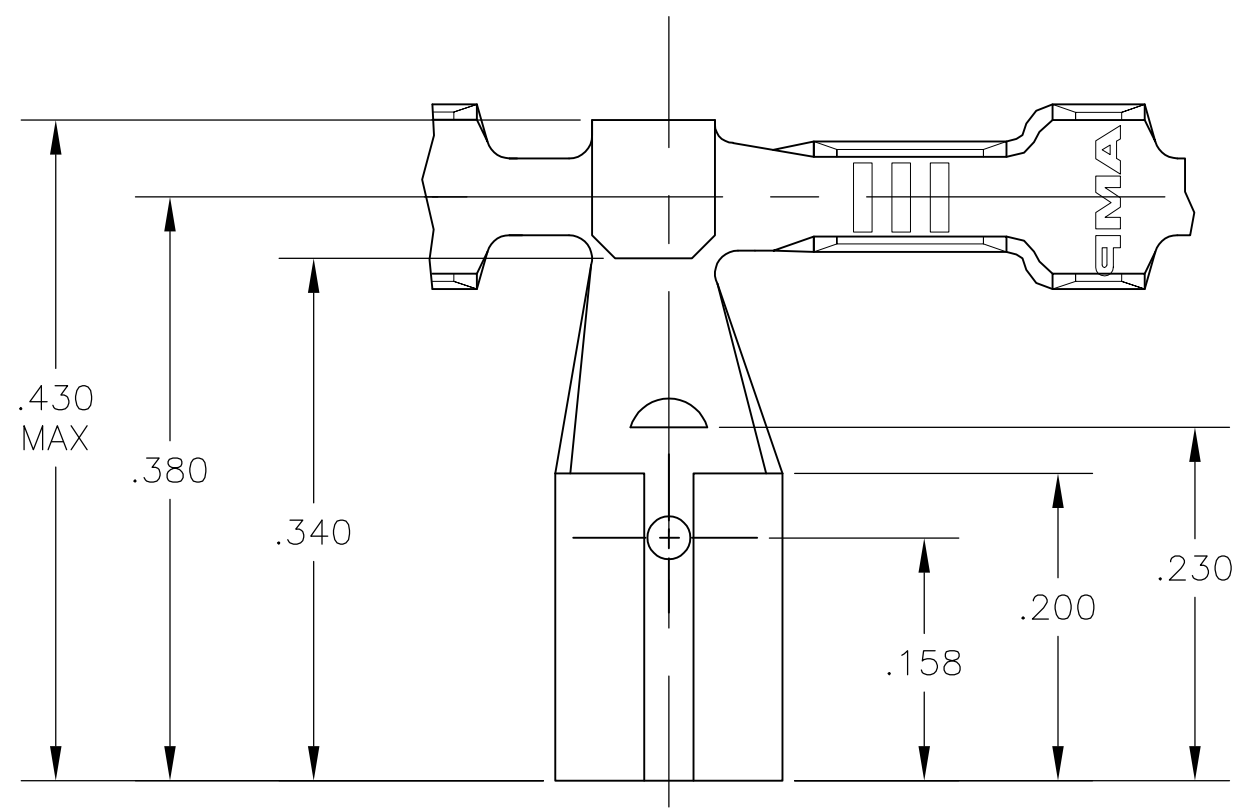
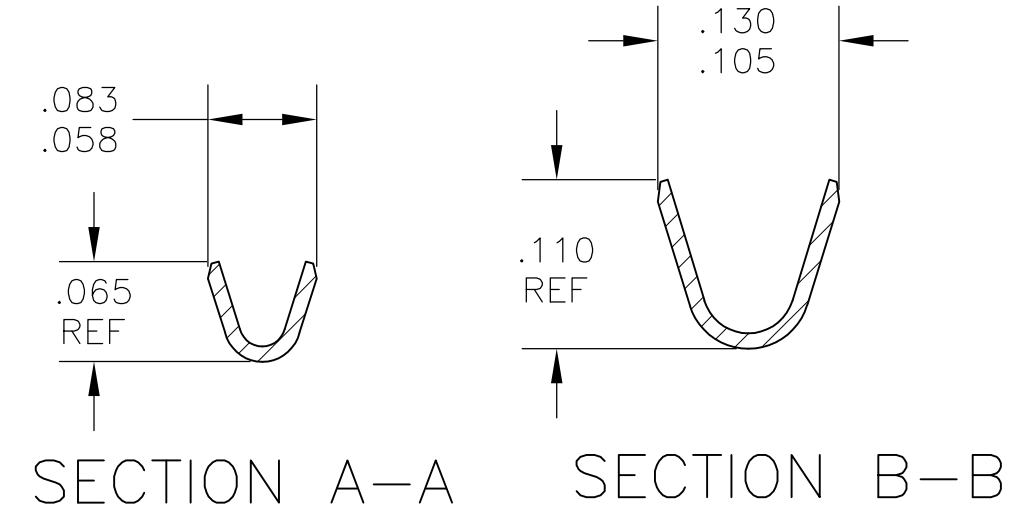
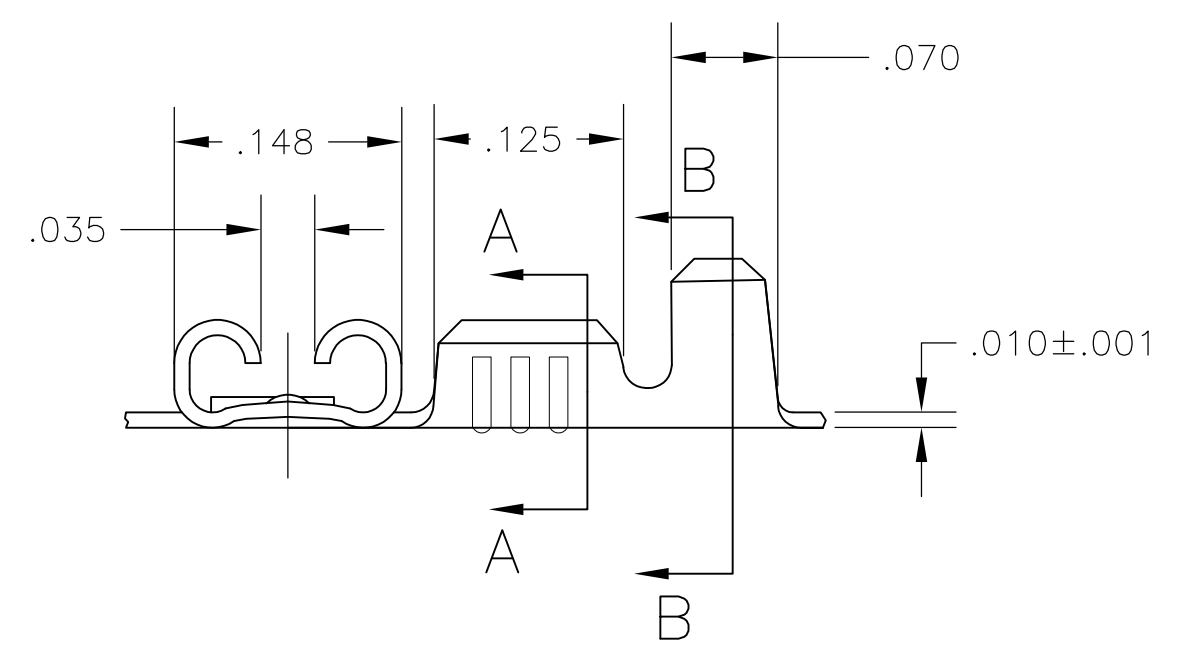


THIS DRAWING IS UNPUBLISHED. RELEASED FOR PUBLICATION
 © COPYRIGHT - By - ALL RIGHTS RESERVED.

| LOC | DIST | REVISIONS | | | |
|-----|------|-------------|---------------------------|-----------|-------|
| P | LTR | DESCRIPTION | DATE | DWN | APVD |
| AF | 50 | B | REVISED PER ECR-12-013518 | 26NOV2012 | KH PD |



- 1 CONTINUOUS STRIP ON REELS
- 2 WIRE SIZE IS #26-#22 AWG
- 3 INSULATION RANGE IS .040-.080 DIA
- 4 MATING TAB THK IS .020±.001



1742219-1
PART NO

| | | | | | |
|---|--|-------------------------------|--|-----------------------|--------------------|
| THIS DRAWING IS A CONTROLLED DOCUMENT. | | DWN jr_ruth 15DEC04 | TE Connectivity RECEPTACLE, FASTON, FLAG .110 SERIES | | |
| DIMENSIONS: INCHES | | CHK P_DESANTIS 15DEC04 | | | |
| TOLERANCES UNLESS OTHERWISE SPECIFIED: 0 PLC ± - 1 PLC ± - 2 PLC ± - 3 PLC ± .010 4 PLC ± - ANGLES ± 5° | | APVD P_DESANTIS 15DEC04 | NAME | | |
| MATERIAL BRASS | | FINISH PRE-TIN | PRODUCT SPEC - | APPLICATION SPEC - | RESTRICTED TO - |
| CUSTOMER DRAWING | | | WEIGHT - | SIZE A3 | CAGE CODE 00779 |
| | | | DRAWING NO C-1742219 | SCALE 8:1 | SHEET 1 OF 1 |
| | | | REV B | | |