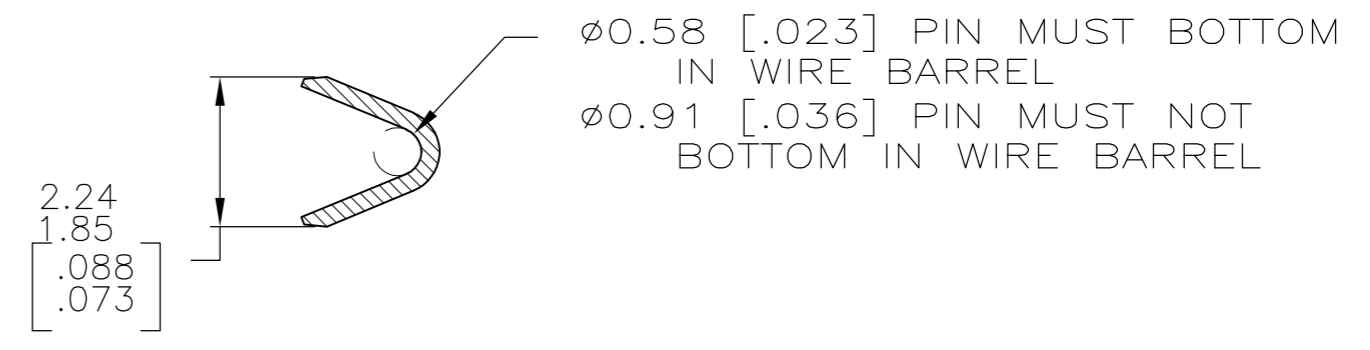
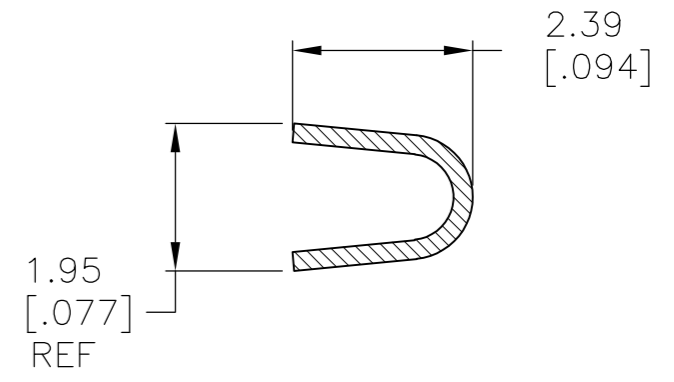
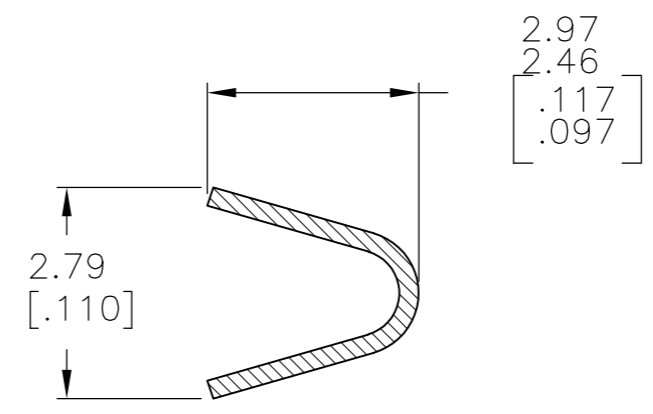
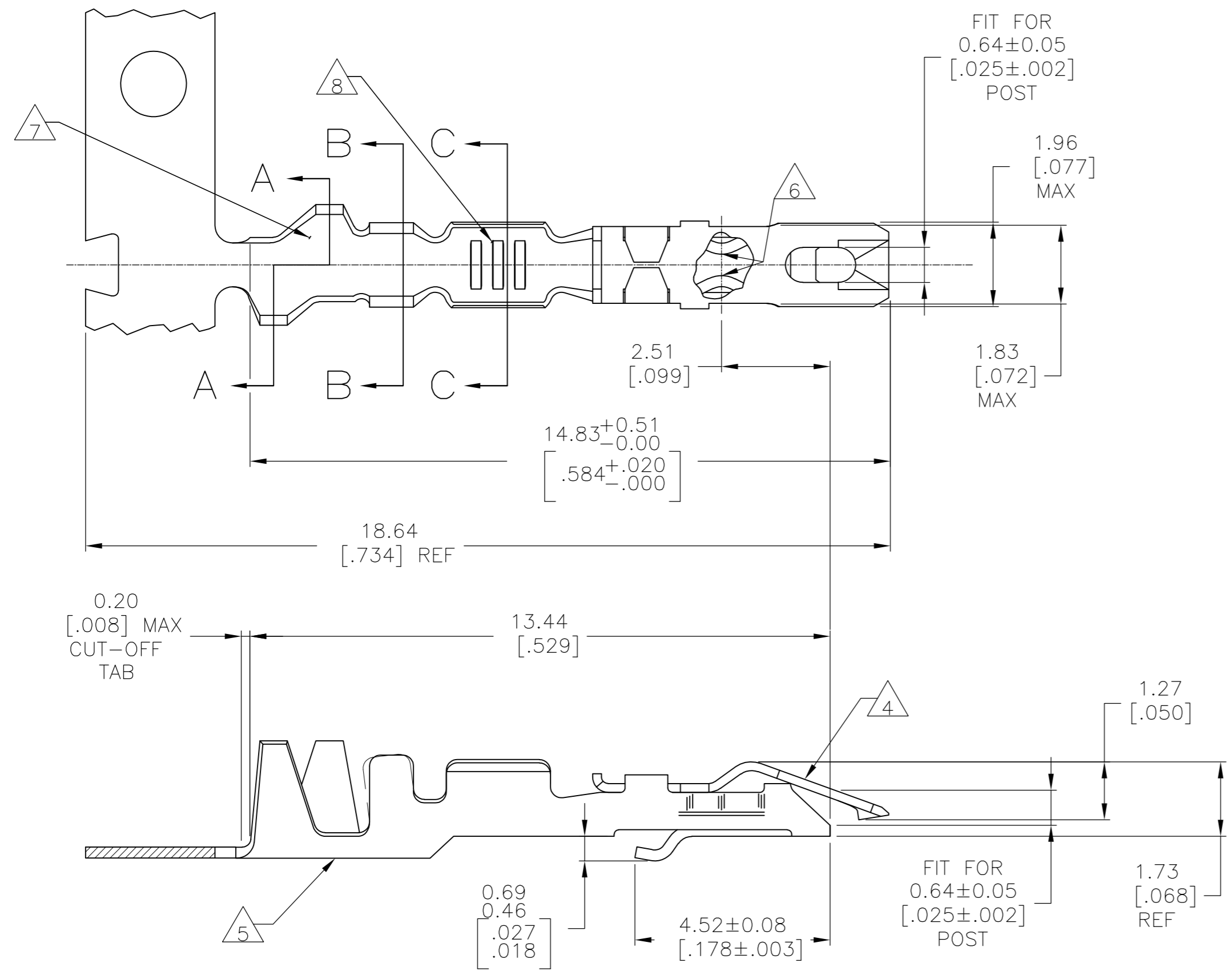


THIS DRAWING IS UNPUBLISHED. RELEASED FOR PUBLICATION  
 © COPYRIGHT - By - ALL RIGHTS RESERVED.

LOC		DIST		REVISIONS			
P	LTR	DESCRIPTION	DATE	DWN	APVD		
		Z1		REVISED PER ECO-11-004917	11MAR11	RK	HMR



1. REELED FOR MINI APPLICATOR.
- 2 PLATED WITH .00254 [.000100] TIN LEAD OVER .00127 [.000050] NICKEL ENTIRE CONTACT.
- 3 PLATED WITH .00076 [.000030] GOLD IN CONTACT AREA, GOLD FLASH ON REMAINDER, OVER .00127 [.000050] NICKEL.
- 4 SPRING MATERIAL: STAINLESS STEEL.
- 5 BODY MATERIAL: PHOSPHORUS BRONZE (SEE TABLE FOR FINISH.)
- 6 POINT OF PLATING MEASUREMENT.
- 7 INSULATION BARREL RANGE ø0.71 [.038]-ø1.57 [.062].
- 8 WIRE BARREL RANGE #20
- 9 PLATED WITH .00254 (.000100) TIN OVER .00127 (.000050) NICKEL, ENTIRE CONTACT.

SUPERSEDED BY 5-867052-1

9	5-867052-1
9	867052-3
3	867052-2
2	867052-1
FINISH	PART NUMBER

THIS DRAWING IS A CONTROLLED DOCUMENT.		DWN	E.BRANDBERG	17-1-93		
DIMENSIONS: mm [INCHES]		CHK	S. SHUEY	26-1-93		
TOLERANCES UNLESS OTHERWISE SPECIFIED:		APVD	-	-	NAME	
0 PLC	± -	PRODUCT SPEC		108-36028		
1 PLC	± -	APPLICATION SPEC		114-25006		
2 PLC	± -	WEIGHT		-		
3 PLC	± 0.13[.005]	MATERIAL		AS SHOWN		
4 PLC	± -	FINISH		AS SHOWN		
ANGLES	± -	CUSTOMER DRAWING		SCALE 10:1 SHEET 1 OF 1 REV Z1		