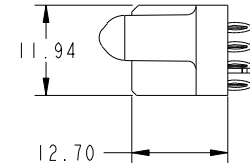
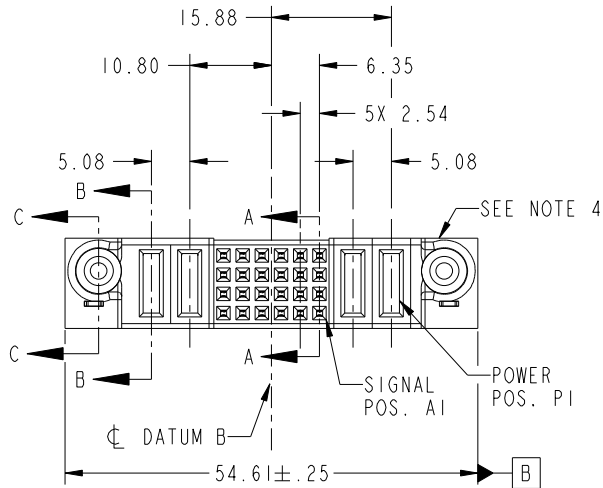


Tous droits strictement réservés. Reproduction ou communication a des tiers interdite sous quelque forme que ce soit sans autorisation écrite du propriétaire. Propriété de c.FCI. Droits de reproduction FCI.

All rights strictly reserved. Reproduction or issue to third parties in any form whatever is not permitted without written authority from the proprietor. Property of FCI. Copyright FCI.



PRODUCT NO.	ROWS	POWER		SIGNAL						POWER					
		E2	P4	P3	6	5	4	3	2	1	P2	P1	E1		
51940-075-- NOTE: 3	D C B A		PC	PC	F	F	F	F	F	F	F	F	PC	PC	



CODE	DIM "M" MATING LENGTH	CONTACT TYPE
F	[N/A]	SIGNAL
PC	[1.07]	POWER
HA	[N/A]	HOLD-DOWN

mat'l code				SEE NOTE		tolerances unless otherwise specified		CUSTOMER		www.fciconnect.com	
lir	ecn no.	dr	date	linear	0.X ± 0.5		COPY		title		
A	V04-0134	DAI	02/13/04		0.XX ± 0.25		projection		2P + 24S + 2P		
B	DG05-0182	SJ	06/23/05		0.XXX ± 0.10				VERTICAL PRESS FIT RECEPTACLE		
C	DG07-0498	JW	09/13/08	angles	0° ± 2°				product family		code
					dr		D. INGRAM		PwrBlade		213
					enrg		M. GRAY		size		dwg no
					chr		M. GRAY		A		51940-075
				appd		M. GRAY		scale		1:1	sheet
sheet index		revision sheet		C	C	C	C			1 of 4	
		1 2		C	C	C	C				

A

A

B

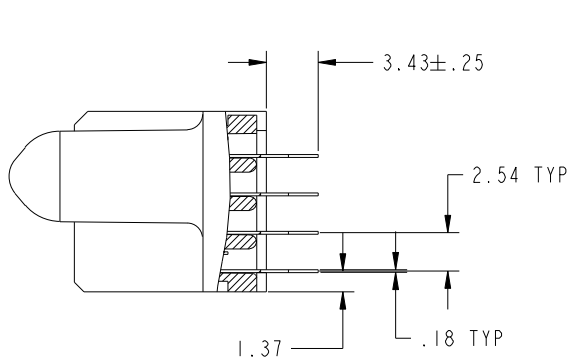
B

Tous droits strictement reserves. Reproduction ou communication a des tiers interdite sous quelque forme que ce soit sans autorisation ecrite du proprietaire. Propriete de c.FCI. Droits de reproduction FCI.

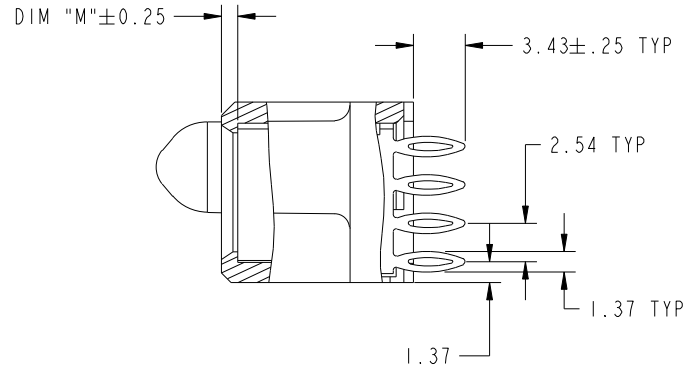
All rights strictly reserved. Reproduction or issue to third parties in any form whatever is not permitted without written authority from the proprietor. Property of FCI. Copyright FCI.



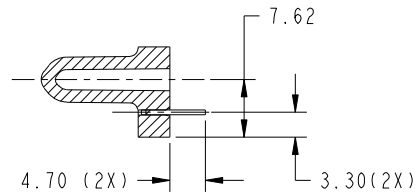
PRODUCT NUMBER
51940-075--
NOTE: 3



SECTION A-A
SCALE 2:1



SECTION B-B
SCALE 2:1



SECTION C-C

mat'l code		SEE NOTE		tolerances unless otherwise specified		CUSTOMER		 www.fciconnect.com	
lir	ecn no.	dr	date	linear	0.X ± 0.5	COPY		title	
C					0.XX ± 0.25	projection		2P + 24S + 2P	
					0.XXX ± 0.10			VERTICAL PRESS FIT RECEPTACLE	
				angles	0° ± 2°			product family	
				dr	D. INGRAM 02/13/04	MM		PwrBlade	
				enrg	M. GRAY 02/13/04			code	
				chr	M. GRAY 02/13/04	1:1		213	
				appd	M. GRAY 02/13/04			sheet	
sheet index		revision sheet						A 51940-075	
								2	

cage code 28556

Pro/E

PDM: Rev: C

STATUS: Released

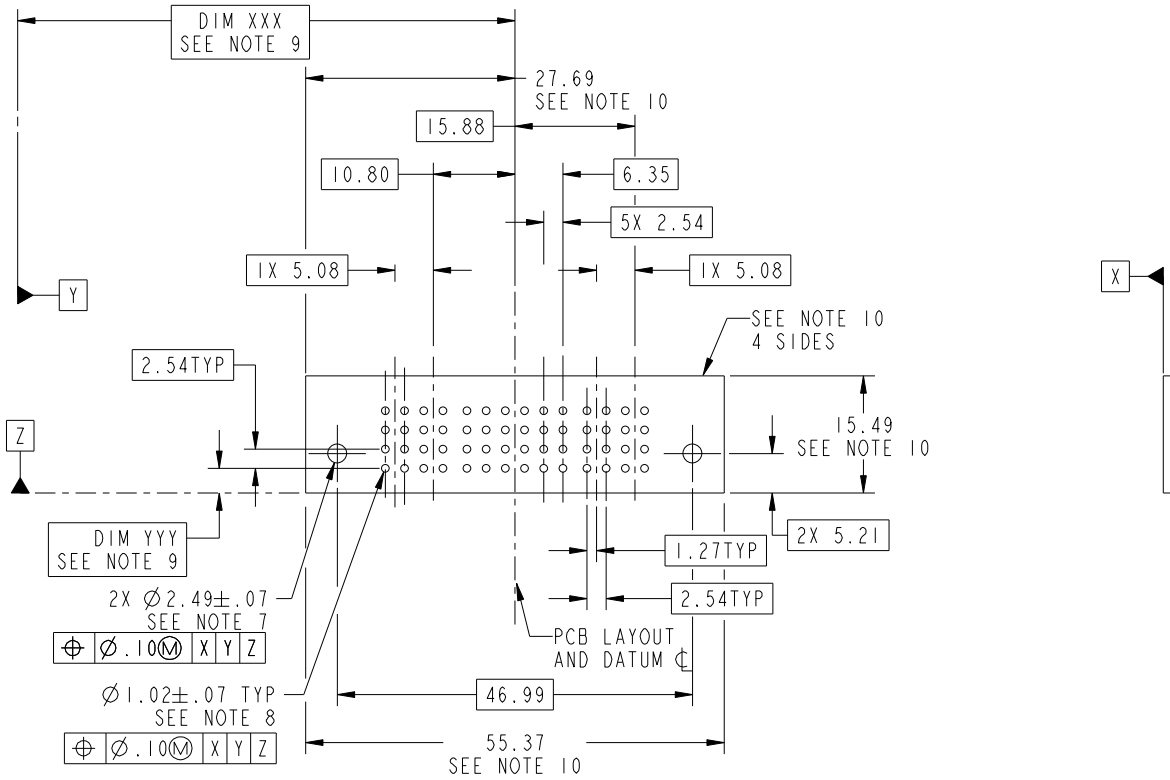
Printed: Dec 20, 2010

Tous droits strictement réservés. Reproduction ou communication a des tiers interdite sous quelque forme que ce soit sans autorisation écrite du propriétaire. Propriété de c.FCI. Droits de reproduction FCI.

All rights strictly reserved. Reproduction or issue to third parties in any form whatever is not permitted without written authority from the proprietor. Property of FCI. Copyright FCI.



PRODUCT NUMBER
51940-075--
NOTE: 3



mat'l code		SEE NOTE		tolerances unless otherwise specified		CUSTOMER		 www.fciconnect.com	
lfr	ecn no.	dr	date	linear	0.X ± 0.5	COPY		title	
C					0.XX ± 0.25	projection		2P + 24S + 2P	
				angles	0.XXX ± 0.10			VERTICAL PRESS FIT RECEPTACLE	
				dr	0° ± 2°			product family	
				engr	D. INGRAM 02/13/04	MM		PwrBlade	
				chr	M. GRAY 02/13/04			code	
				appd	M. GRAY 02/13/04	1:1		213	
sheet index	revision sheet							size	
								dwg no	
								A 51940-075	
								sheet	
								3	

cage code 28506

Pro/E

PDM: Rev: C

STATUS: Released

Printed: Dec 20, 2010

Tous droits strictement reserves. Reproduction ou communication a des tiers interdite sous quelque forme que ce soit sans autorisation ecrite du proprietaire. Propriete de c.FCI. Droits de reproduction FCI.



All rights strictly reserved. Reproduction or issue to third parties in any form whatever is not permitted without written authority from the proprietor. Property of FCI. Copyright FCI.

1 | 2

3

4

PRODUCT NUMBER

51940-075--
NOTE: 3

NOTES:

1. DIMENSIONS AND TOLERANCES ARE IN ACCORDANCE WITH ASME Y14.5M, 1994 UNLESS OTHERWISE SPECIFIED.

CONNECTOR NOTES:

② HOUSING MATERIAL: UL 94 V-0 GLASS FILLED HIGH-TEMP THERMOPLASTIC
POWER CONTACT MATERIAL: COPPER ALLOY
SIGNAL PIN MATERIAL: COPPER ALLOY

③ PLATING:

△ SEE ITEM 7 & 8 IN PRINT 10064183 FOR PLATING SPEC OF 51940-075; 51940-075LF RESPECTIVELY.

④ MANUFACTURER'S NAME, P/N, AND DATE CODE TO APPEAR ON THIS SURFACE.

⑤ PRODUCT SPECIFICATION GS-12-149.
APPLICATION SPECIFICATION BUS-20-067

PCB - NOTES:

⑥ ALL HOLE DIAMETERS ARE FINISHED HOLE SIZE.

⑦ MOUNTING HOLES, WHERE APPLICABLE, ARE UNPLATED.

8. $\varnothing 1.151 \pm 0.025$ DRILLED HOLES PLATED WITH 0.008 MIN SnPb OR Sn OVER 0.03 TO 0.08 Cu PLATING TO ACHIEVE $\varnothing 1.02 \pm 0.07$ HOLE.

9. "DIM XXX" AND "YYY" TO BE DETERMINED BY THE CUSTOMER.

10. CONNECTOR KEEP-OUT ZONE.

11. A △ SYMBOL WILL BE NEXT TO ANY DIMENSION, VIEW, OR NOTE WHICH HAS BEEN MODIFIED WITH THE CURRENT DRAWING REVISION.

mat'l code		SEE NOTE		tolerances unless otherwise specified		CUSTOMER		www.fciconnect.com	
lfr	ecn no.	dr	date	linear	0.X ±0.5		COPY		
C					0.XX ±0.25		projection		
					0.XXX ±0.10				
				angles	0° ±2°				
		dr	D. INGRAM 02/13/04		MM		product family PwrBlade code		
		enr	M. GRAY 02/13/04				size dwg no		
		chr	M. GRAY 02/13/04		scale		A 51940-075		
		appd	M. GRAY 02/13/04		1:1		sheet 213		
sheet index	revision sheet							sheet 4	

A

A

B

B

1 | 2

Pro/E

PDM: Rev:C

STATUS: Released

Printed: Dec 20, 2010

cage code 2856

4