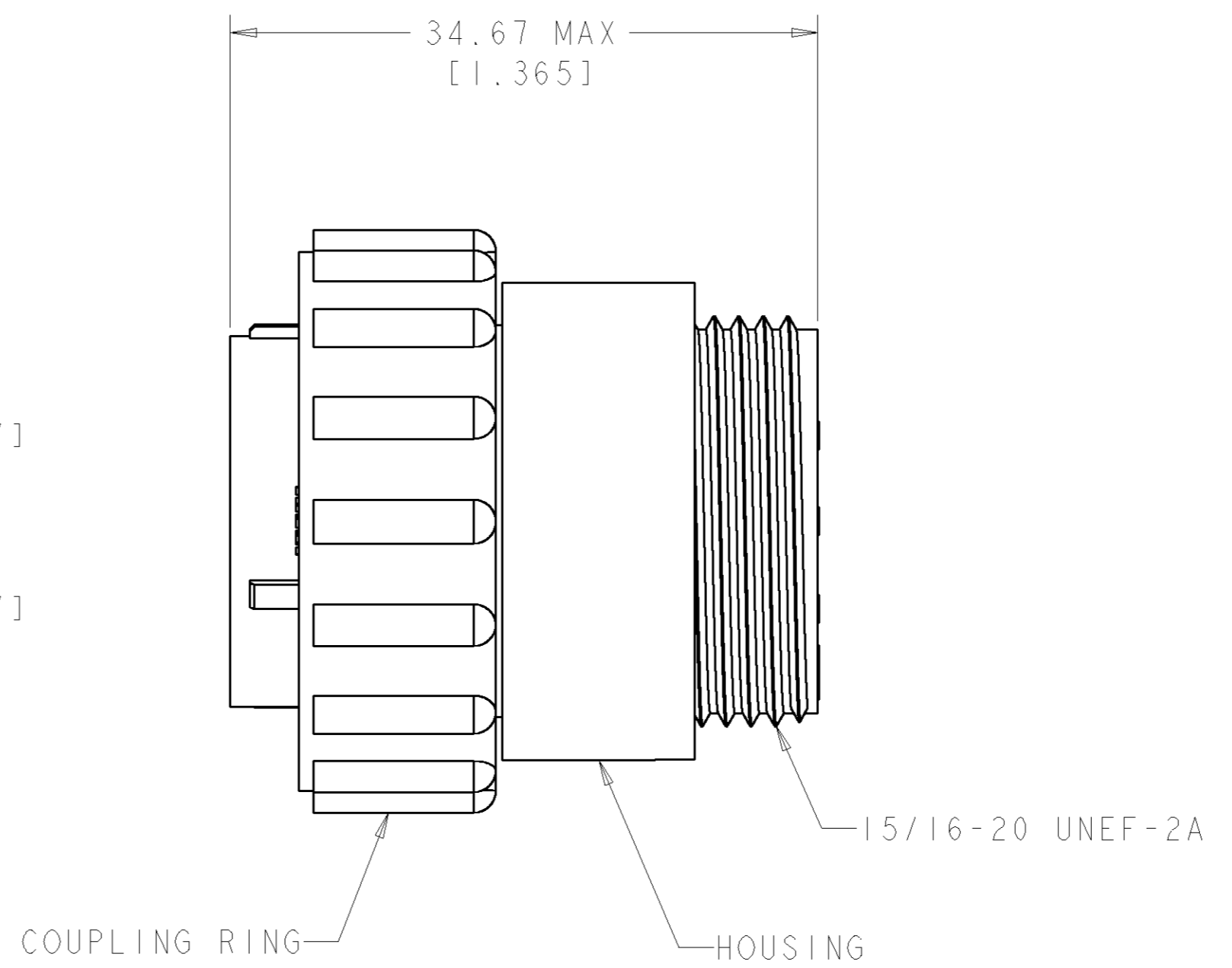
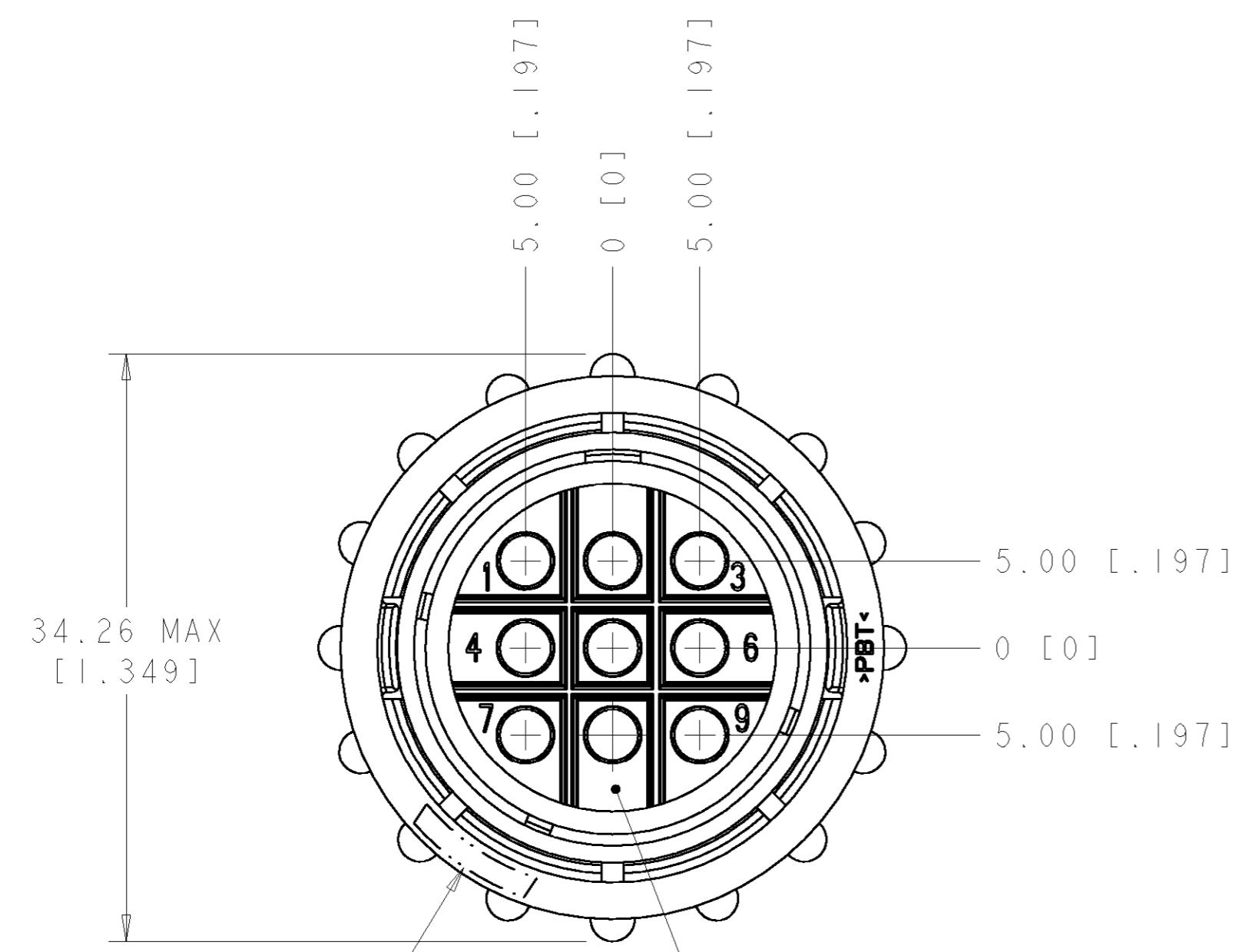
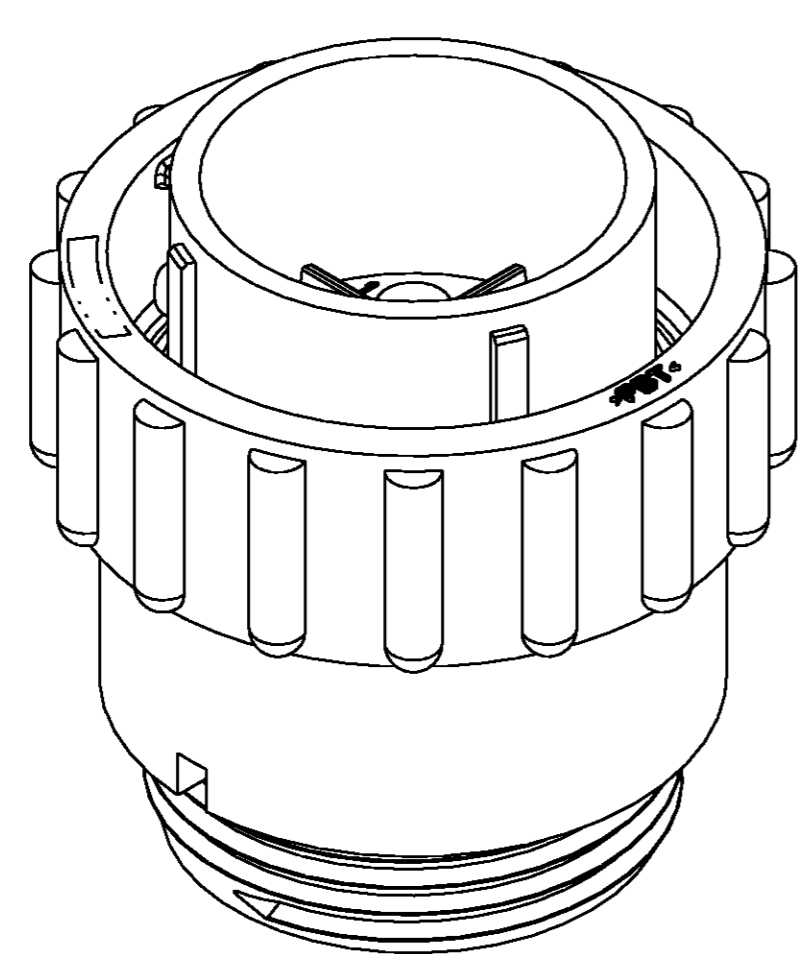


THIS DRAWING IS UNPUBLISHED. RELEASED FOR PUBLICATION
 © COPYRIGHT 19 BY TYCO ELECTRONICS CORPORATION. ALL RIGHTS RESERVED.

LOC		DIST		REVISIONS			
P	LTR	DESCRIPTION	DATE	DWN	APVD		
	O	RELEASED	06APR100	SW	-		
	A	REVISED EC 0G3B-0280-00	01JUN2000	SW	MC		
	B	REVISED EC 0G3B-0775-04	15SEP2004	SW	SH		



DATE CODE LOCATED IN APPROX AREA SHOWN
 MATING FACE



- 1. HOUSING: NYLON, BLACK
- COUPLING RING: POLYESTER, BLACK.
- 2. WILL ACCEPT (9) MULTIMATE PIN CONTACTS.

796450-1
 PART NUMBER

THIS DRAWING IS A CONTROLLED DOCUMENT FOR TYCO ELECTRONICS CORPORATION. IT IS SUBJECT TO CHANGE AND THE CONTROLLING ENGINEERING ORGANIZATION SHOULD BE CONTACTED FOR THE LATEST REVISION.		DWN	S. WELDON	06APR100	AMP Incorporated Harrisburg, PA 17105-3608	
DIMENSIONS: mm [INCHES]		CHK	M. CHACKO	06APR100	NAME PLUG ASSEMBLY, SIZE 17-9, REVERSE SEX, CPC	
TOLERANCES UNLESS OTHERWISE SPECIFIED: 0 PLC ± 1 PLC ± 2 PLC ±0.02 3 PLC ± 4 PLC ± ANGLES ± FINISH -		APVD	M. CHACKO	06APR100	PRODUCT SPEC	SIZE
MATERIAL		APPLICATION SPEC	WEIGHT		CAGE CODE	DRAWING NO
-		RESTRICTED TO	-		A2	00779
-		CUSTOMER DRAWING	SCALE 3:1		SHEET 1	REV B