

D

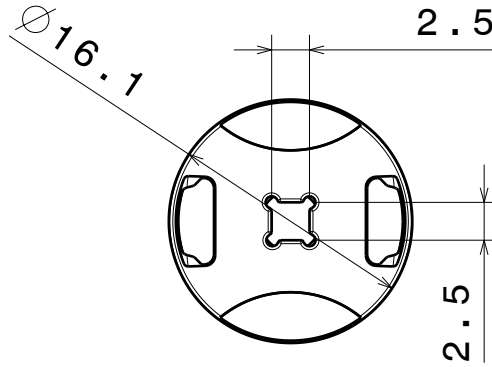
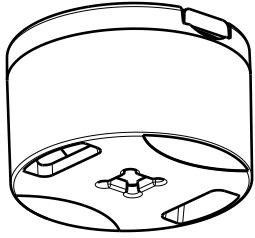
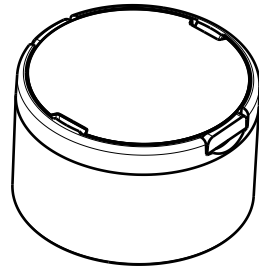
C

B

A

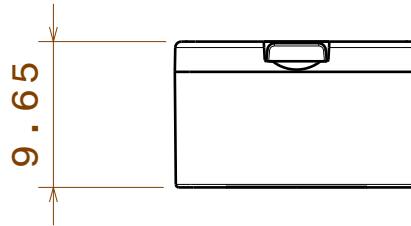
4

4



3

3



2

2

Materials:
 lens PMMA
 holder PC, black

Fastening to application:
 Glue

Tolerances for dimensions:
 0-20mm tolerance value +/-0.1mm

1

1

This drawing is our property.
 It can't be reproduced
 or communicated without
 our written agreement.



Ledil Oy
 Salorankatu 10
 FIN 24240 SALO
 Finland

DRAWING TITLE

Datasheet Tina2 XB assy

DRAWN BY

pv

DATE

19.03.2012

CHECKED BY

sn

DATE

19.03.2012

SIZE

A4

DRAWING NUMBER

-

REV

1

DESIGNED BY

pv

DATE

12.03.2012

SCALE

2:1

WEIGHT (g)

SHEET

1/1

D

A