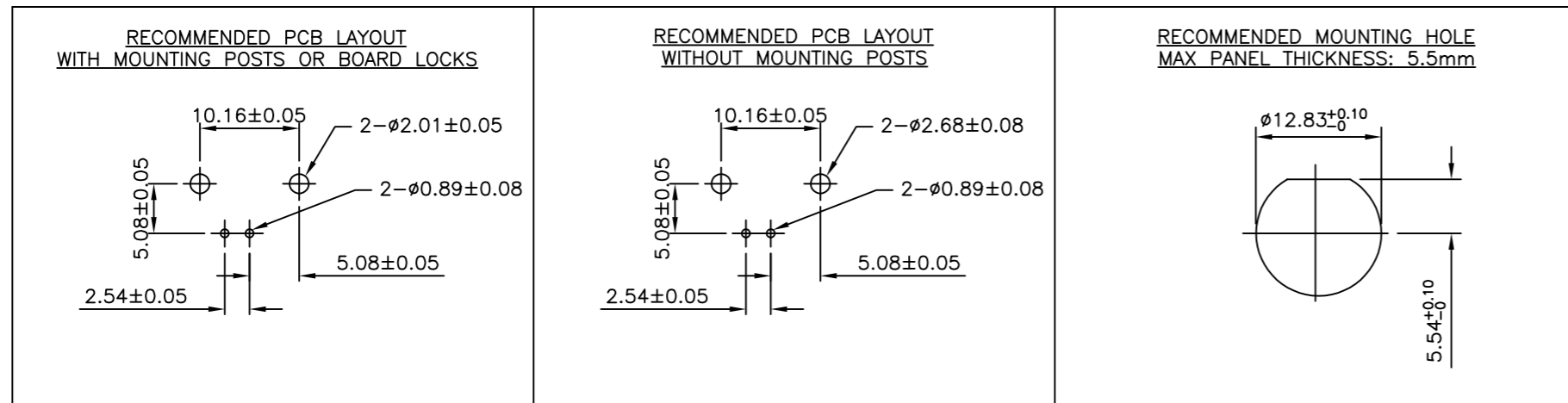
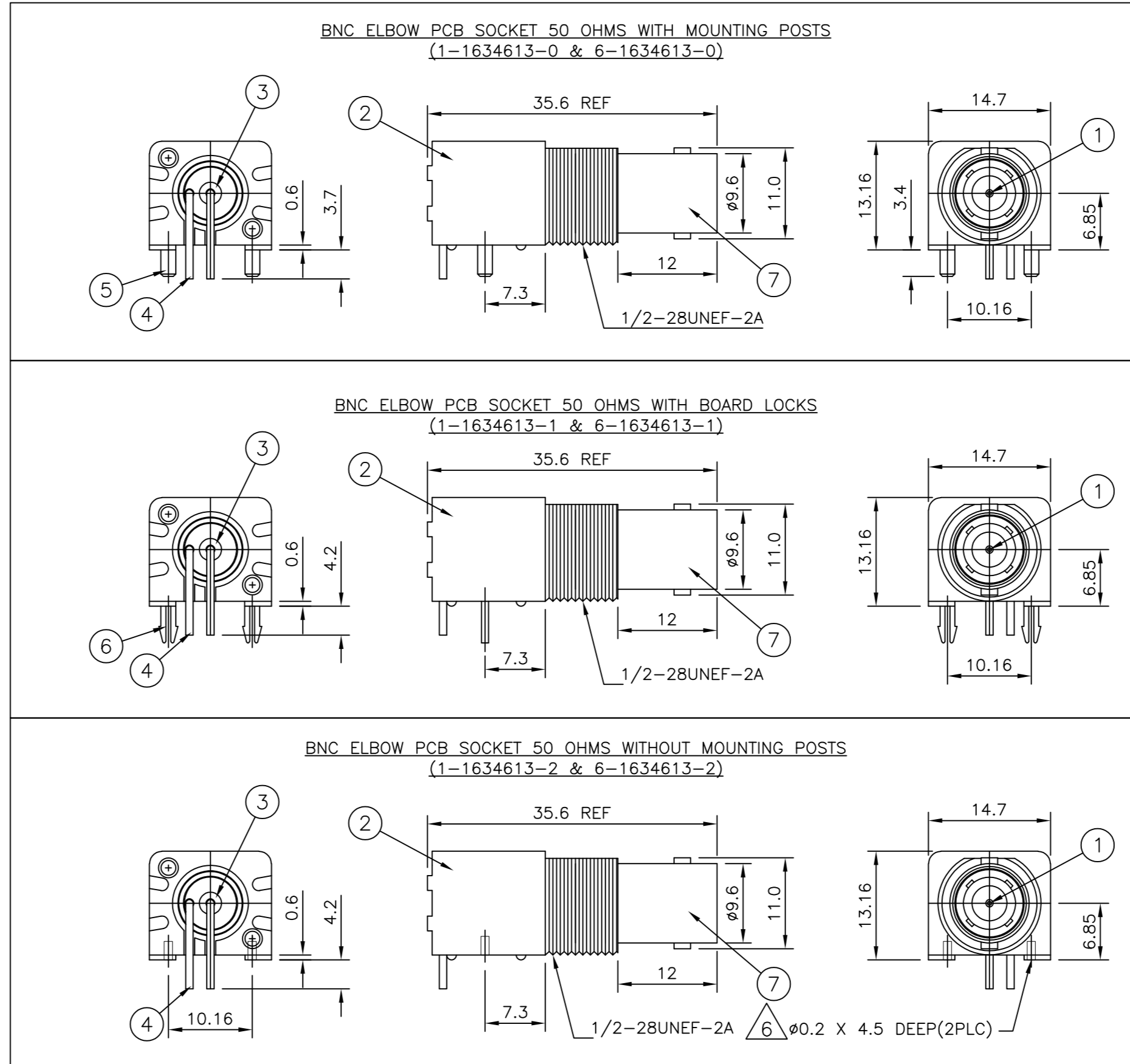


THIS DRAWING IS UNPUBLISHED. RELEASED FOR PUBLICATION AUGUST ,2005.
 © COPYRIGHT 2005 By - ALL RIGHTS RESERVED.

LOC		DIST		REVISIONS			
P	LTR	DESCRIPTION	DATE	DWN	APVD		
	D1	REVISED PER ECO-11-005033	01APR11	RK	HMR		
	E	REVISED PER ECO-12-010042	29MAY2012	TITAN	MARTIN		

- NOTES:**
- 1 SINGLE PACK IN ACCORDANCE WITH AMP SPEC 107-3275
 - 2 50 TRAY PACK IN ACCORDANCE WITH AMP SPEC 107-3275
 - 3 Au PLATING OVER Ni PLATING OVER Cu PLATING
 - 4 Ni PLATING OVER Cu PLATING
 - 5 TIN PLATING
 - 6 RECOMMENDED SELF-TAPPING SCREW 221108-4
 - 7 RECOMMENDED MOUNT NUT 1-1634816-0
 - 8 RECOMMENDED LOCKWASHER 1-1634817-0
 - 9 FOR TECHNICAL DATA REFER TO YOUR LOCAL TE CONNECTIVITY SALES OFFICE
 - 10. ALL DIMENSIONS ARE NOMINAL FOR REFERENCE ONLY UNLESS OTHERWISE STATED



		Obsolete	Obsolete	Obsolete				QUANTITY PER ASSY	PARTS LIST		
1	1	1	1	1	1	1	1	ZINC DIECAST	△	BODY	7
-	-	2	2	-	-	-	-	BRASS	△	BOARD LOCK	6
-	-	-	-	2	2	-	-	BRASS	△	MOUNTING POST	5
1	1	1	1	1	1	1	1	BRASS	△	SOLDER TAIL	4
1	1	1	1	1	1	1	1	PE-606		INSULATOR	3
1	1	1	1	1	1	1	1	PBT BLACK		HOUSING	2
1	1	1	1	1	1	1	1	BRASS	△	CONTACT	1
6--2	1--2	6--1	1--1	6--0	1--0			MATERIAL		DESCRIPTION	ITEM
△	△	△	△	△	△						

THIS DRAWING IS A CONTROLLED DOCUMENT.

DWN: RITA ZUO 14 Feb 09
 CHK: ANSON MA 14 Feb 09
 APVD: BOB ZHAO 14 Feb 09

TE Connectivity
BNC LOW PROFILE R/A INSULATED PCB SOCKET 50 OHM BLACK

108-112000
 APPLICATION SPEC

SIZE: A2 CAGE CODE: 00779 DRAWING NO: C=1634613 RESTRICTED TO: -
 WEIGHT: - SCALE: NTS SHEET: 1 of 1 REV: E

CUSTOMER DRAWING