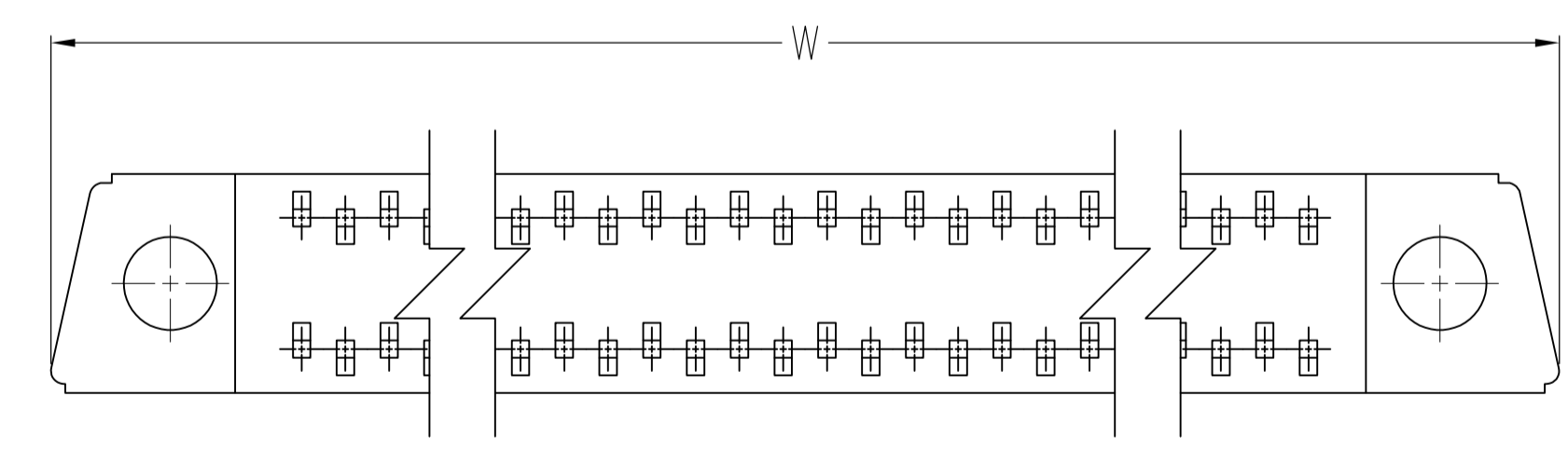
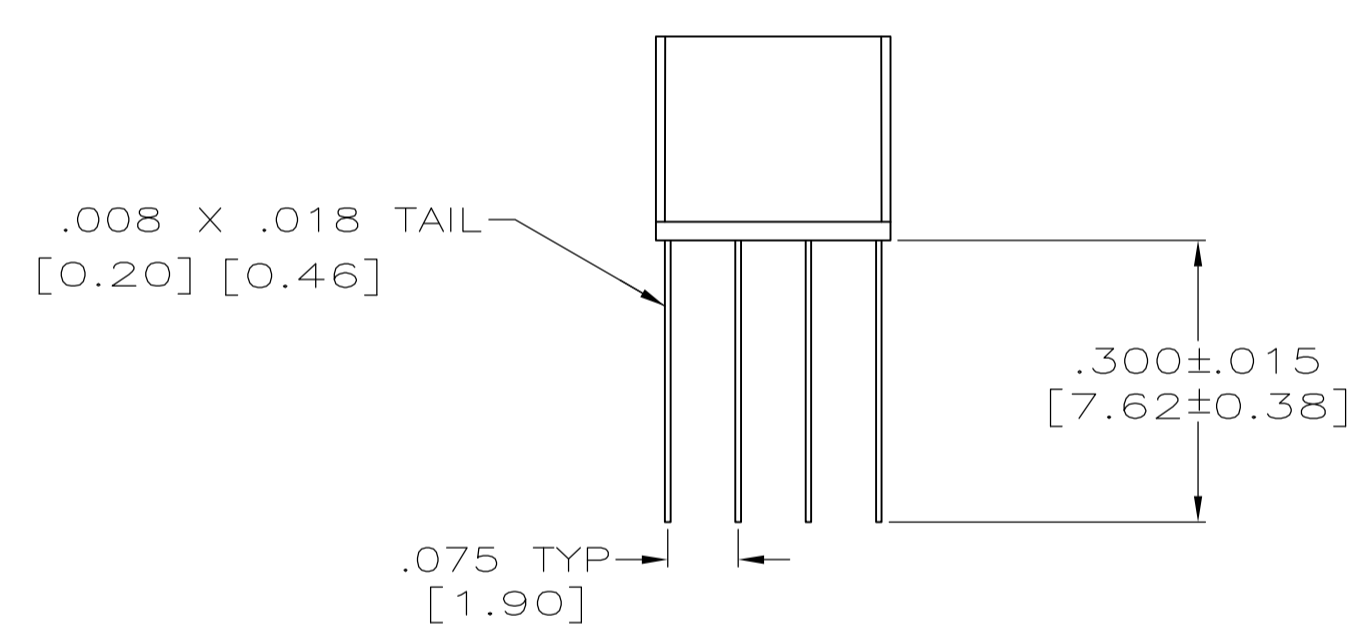
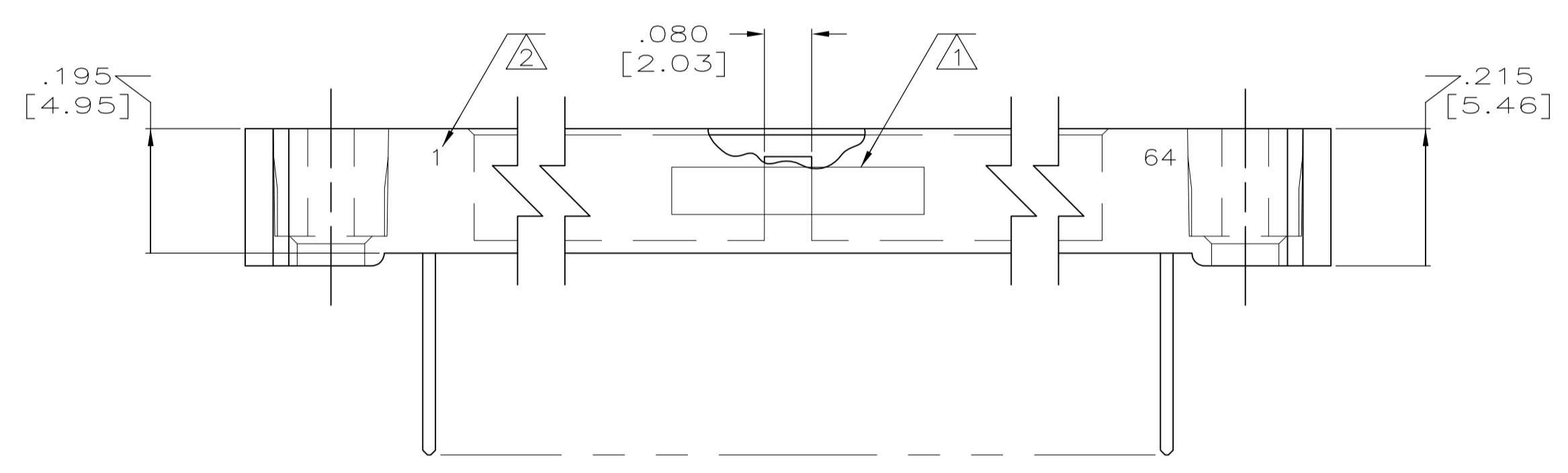
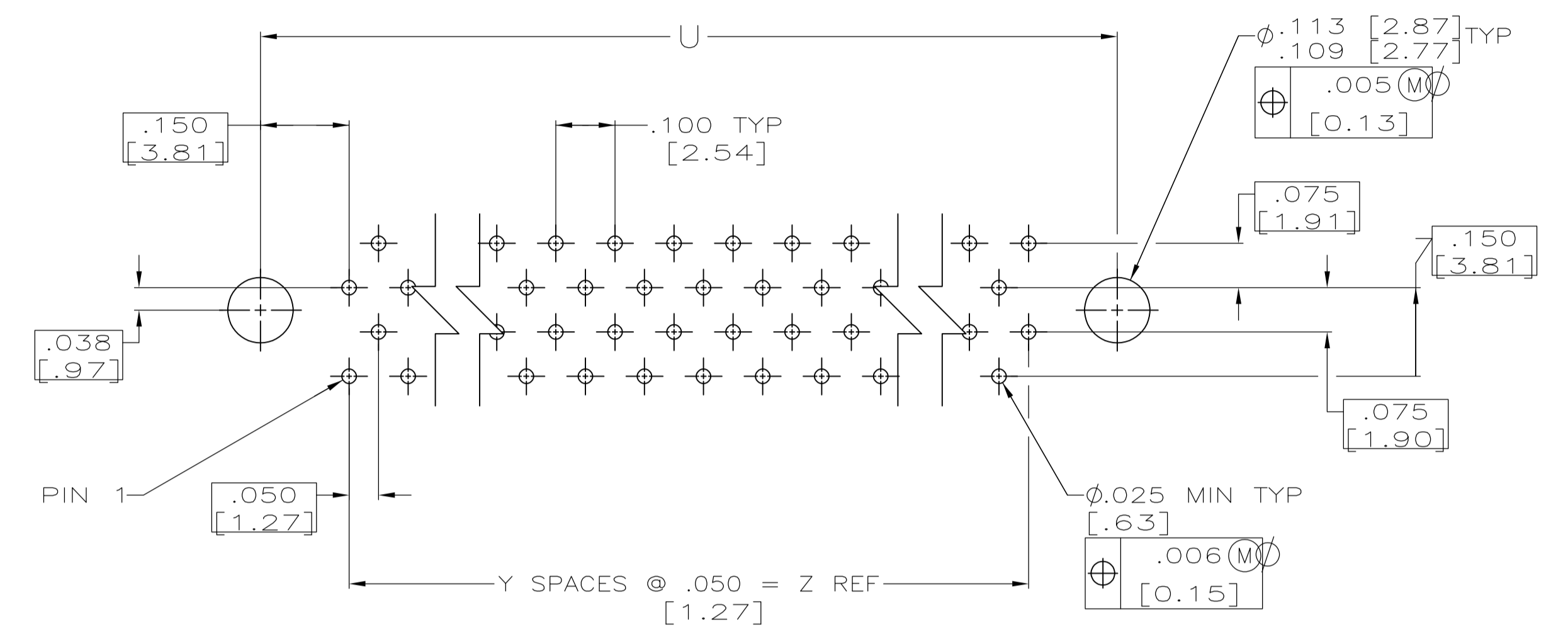
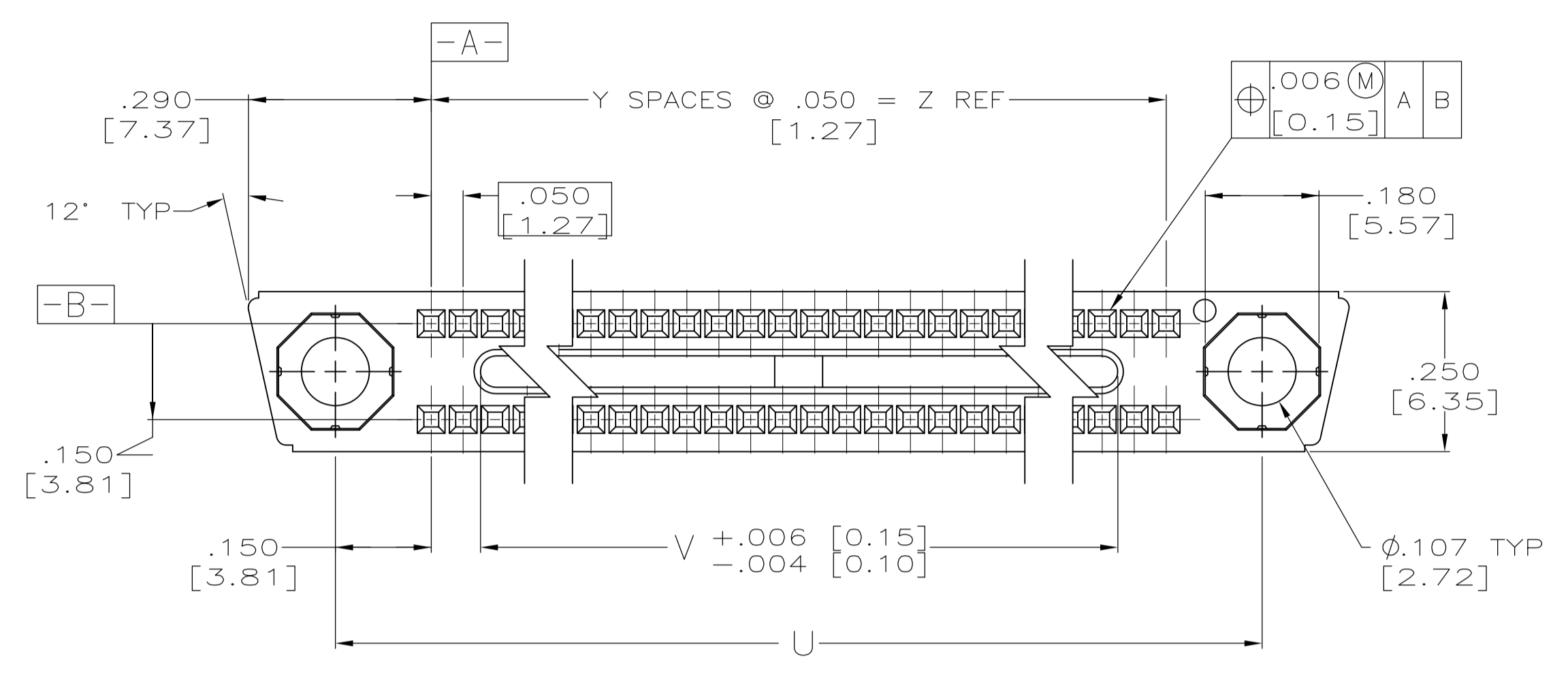


| LOC | | DIST | | REVISIONS | | | |
|-----|-------------|-------------|---------|-----------|------|--|--|
| P | LTR | DESCRIPTION | DATE | DWN | APVD | | |
| G | REV PER ECO | 08-009720 | 27MAY08 | PY | JW | | |



- △ AMP, PART NUMBER, CUSTOMER PART NUMBER & DATE CODE MARKED THIS APPROXIMATE AREA.
- △ NUMBERS INDICATING END POSITIONS MARKED THIS SIDE ONLY.
- 3. MEETS ALL APPLICABLE REQUIREMENTS OF MIL-C-55302.
- △ .000050 GOLD OVER NICKEL UNDERPLATE IN CONTACT AREA, GOLD FLASH OVER NICKEL UNDERPLATE REMAINDER OF CONTACT.
- △ HOUSING MATERIAL: LIQUID CRYSTAL POLYMER PER MIL-M-24519, GLCP-30F; COLOR: GRAY.
- 6. PART NUMBERS 530746-2 TO 530746-6 ARE OBSOLETE.
- △ CONTACT FINISH FOR -1 ONLY: .000050 OVER .000030 NICKEL ENTIRE CONTACT.

| | | | | | | | | |
|--|-----------------------|--|----|--|---------------|--------------------------------------|--------------------|---------------|
| △ | 1 - 64 | 3.150 [80.01] | 63 | 3.740 [95.00] | 3.000 [76.20] | 3.450 [87.63] | 128 | 530746-1 |
| HOUSING MATERIAL | CONTACT IDENT NUMBERS | Z | Y | W | V | U | NUMBER OF CONTACTS | PART NUMBER |
| THIS DRAWING IS A CONTROLLED DOCUMENT. | | DWN T. ALEXANDER 11-20-91 | | Tyco Electronics Corporation Harrisburg, PA 17105-3608 | | RECEPTACLE HOUSING ASSEMBLY MINI-BOX | | RESTRICTED TO |
| DIMENSIONS: INCHES | | TOLERANCES UNLESS OTHERWISE SPECIFIED: | | D. GUTTER 1-3-92 | | D. GUTTER 1-3-92 | | SIZE: A1 |
| 0 PLC ± - | | 1 PLC ± - | | 2 PLC ± - | | 3 PLC ± .005 [0.13] | | WEIGHT: - |
| 4 PLC ± - | | ANGLES ± 0'30" | | APPLICATION SPEC | | CUSTOMER DRAWING | | SCALE: 5:1 |
| MATERIAL: △ | | FINISH: △ | | CAGE CODE: 00779 | | DRAWING NO: 530746 | | SHEET 1 OF 1 |
| | | | | | | | | REV G |