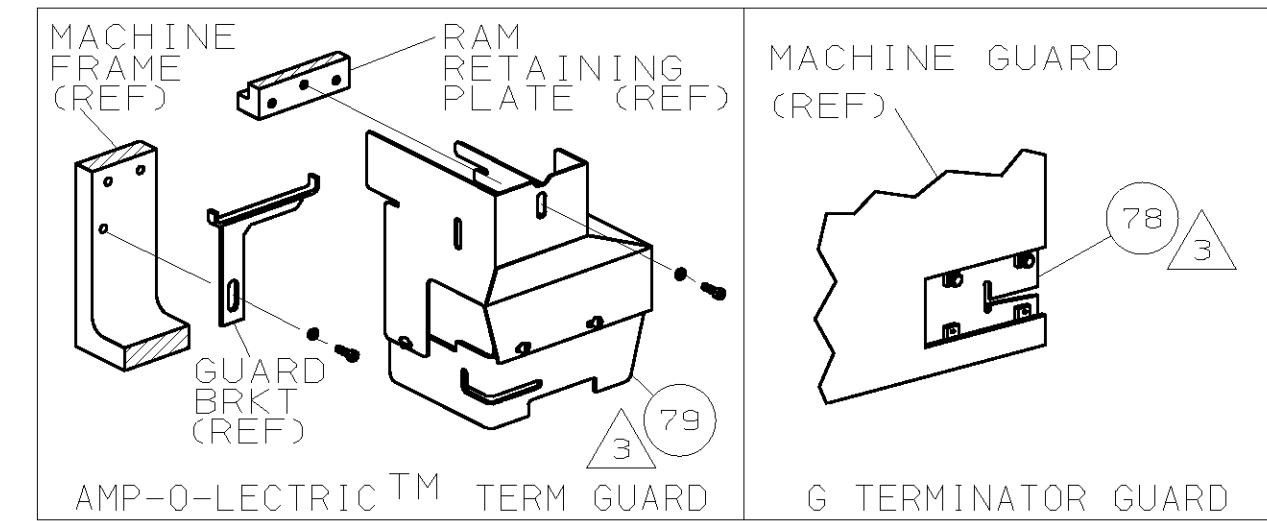
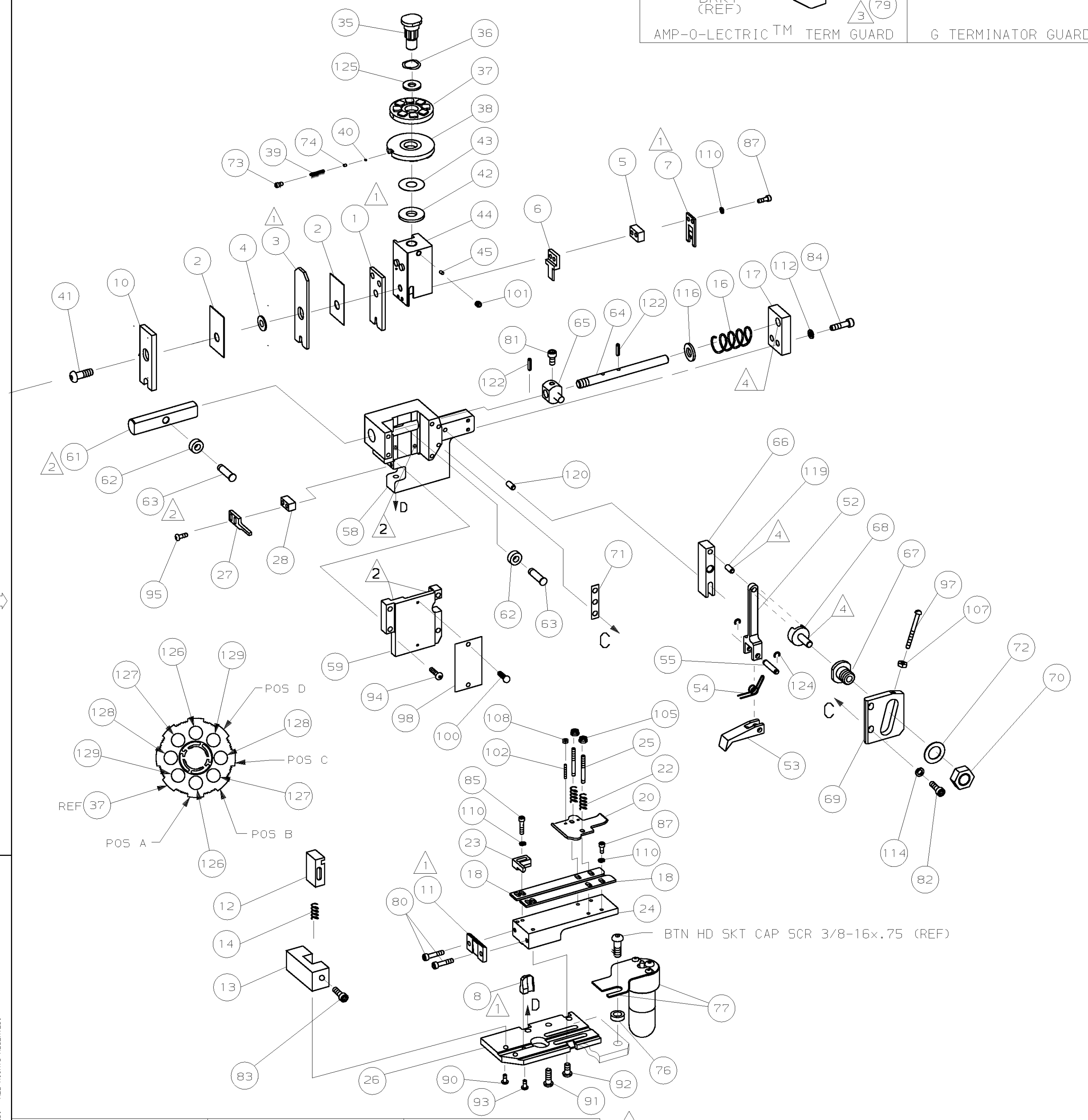


PART NUMBER	REV	FIRST USED
680662-1	A	854400-1
680662-2	A	565435-5

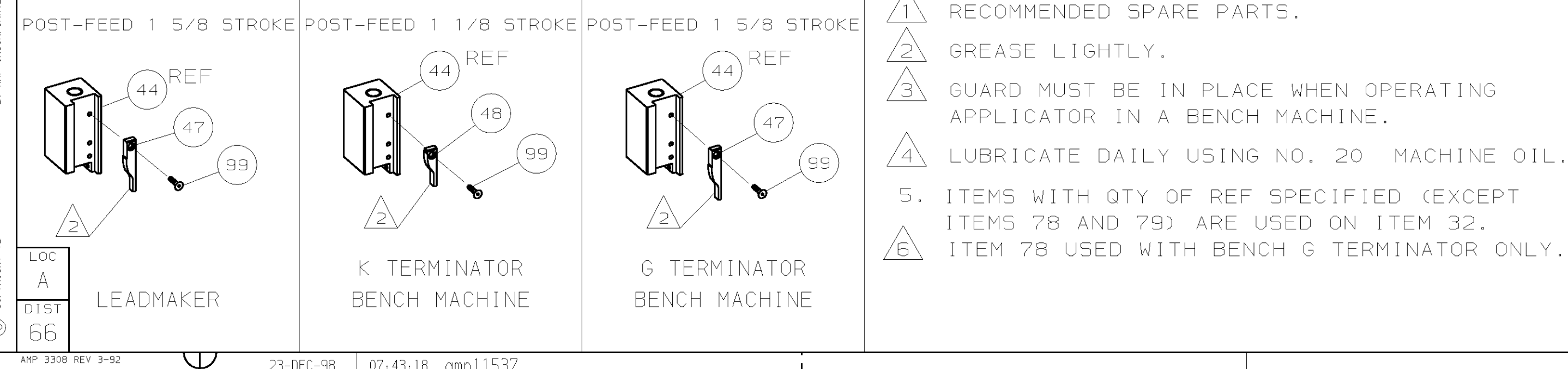


TERMINAL NAME: .187 FASTON™ RECEPTACLE					
1217112-1					
CRIMPING DATA			WIRE SIZE		
PAD LTR	CRIMP HEIGHT		WIRE SIZE		
A	.060 ±.002 [1.52 ±0.05mm]		16		
B	.053 ±.002 [1.35 ±0.05mm]		18		
C	.051 ±.002 [1.29 ±0.05mm]		(2) 22		
D	.049 ±.002 [1.24 ±0.05mm]		20		
CRIMP	SIZE	TYPE	RANGE		
WIRE	.090 [2.29mm]	F	20-16		
INSUL	.140 [3.56mm]	F	.090-.130		
WIRE STRIP LENGTH	TERM APPL SPEC	FEED	APPL INSTRUCTION	SET UP GAGE	LAYOUT
.162-.193	-	.650	408-8039	-	L2101

-1	LEADMAKER & BENCH MODEL G			MECH POST FEED		
-2	BENCH MODEL K			MECH POST FEED		
1	1	-	A	22594-8	NUT, HEX	70
1	1	-	B	240628-1	PLATE, ADJ	69
1	1	-	B	240626-1	SHAFT, PIVOT	68
1	1	-	B	240633-1	BUSHING	67
1	1	-	A	455680-1	LEVER, INTERMEDIATE	66
1	1	-	B	240629-1	BLOCK, PIVOT	65
1	1	-	A	240632-2	SCR, ADJ	64
1	1	-	B	240659-3	PIN, CAM ROLLER	63
1	1	-	B	240658-1	CAM, ROLLER	62
1	1	-	B	454398-1	ROD, FEED	61
						60
1	1	-	C	454220-1	CAP, RAM	59
1	1	-	D	453736-1	HOUSING	58
						57
						56
1	1	-	B	240624-1	PIN, FEED FINGER	55
1	1	-	B	691499-1	SPRING, FEED FINGER	54
1	1	-	B	240635-1	FINGER, FEED	53
1	1	-	B	240634-1	LEVER, TERMINAL	52
						51
						50
						49
1	-	-	B	690501-3	CAM, POST FEED 1 1/8 ST	48
-	1	-	B	690501-4	CAM, POST-FEED 1 5/8 ST	47
						46
1	1	-	A	690191-1	PLUG, NYLON	45
1	1	-	C	455674-2	RAM	44
1	1	-	A	690125-1	WASHER, LAMINATED	43
1	1	-	A	690124-1	WASHER, RAM	42
1	1	-	A	7-21002-9	BOLT, CRIMPER (5/16-24x1.00)	41
1	1	-	A	23241-6	BALL, STEEL	40
1	1	-	A	690170-1	SPRING, COMPRESSION	39
1	1	-	C	690142-1	DISC, INSULATION	38
1	1	-	D	354777-1	WIRE DISC, PLASTIC	37
1	1	-	A	22480-5	WASHER, SPRING	36
1	1	-	B	690212-1	POST, RAM	35
						34
						33
						32
						31
						30
						29
1	1	-	B	1-690451-5	SPACER, STRIPPER	28
1	1	-	A	240639-4	STRIPPER	27
1	1	-	C	1210117-1	PLATE, BASE	26
2	2	-	A	22354-8	DRAG, STUD	25
1	1	-	B	455678-3	PLATE, STRIP GUIDE	24
1	1	-	C	1-240825-8	PLATE, STRIP HOLD DOWN	23
2	2	-	A	4-22281-1	SPRING, DRAG	22
						21
1	1	-	A	454177-1	DRAG, STOCK	20
						19
2	2	-	C	454204-3	GUIDE, STRIP (FRONT)	18
1	1	-	A	454178-1	GUIDE, FEED ROD	17
1	1	-	A	4-22284-9	SPRING, FEED RETURN	16
						15
1	1	-	C	6-22279-6	SPRING, FLOATING SHEAR	14
1	1	-	C	1320122-1	HOUSING, SHEAR, FLOATING	13
1	1	-	C	1320121-1	SHEAR, FLOATING	12
1	1	-	B	240644-5	PLATE, REAR SHEAR	11
1	1	-	B	468830-1	DEPRESSOR, SHEAR	10
-	-	-	-	-	-	9
1	1	-	D	853224-3	ANVIL	8
1	1	-	C	1320118-1	BLADE, SHEAR	7
1	1	-	B	1320119-1	TOOL, BENDING	6
1	1	-	C	3-240641-8	SPACER, SLUG BLADE	5
1	1	-	B	238011-2	SPACER, BLOCK CRIMPER	4
1	1	-	C	1-456134-4	CRIMPER, INSULATION	3
1	1	-	B	455888-5	SPACER, CRIMPER	2
1	1	-	C	4-456406-7	CRIMPER, WIRE	1



QTY	REV	U/M	DWG SIZE	PART NO	DESCRIPTION	ITEM NO
2	2	-	C	3-354779-0	PIN, WIRE DISC (.3140)D	129
2	2	-	C	2-354779-6	PIN, WIRE DISC (.3120)C	128
2	2	-	C	2-354779-4	PIN, WIRE DISC (.3110)B	127
2	2	-	C	354779-8	PIN, WIRE DISC (.3030)A	126
1	1	-	A	986950-1	WASHER, FLAT PRECISION	125
2	2	-	A	21045-3	RING, RET "C" (Ø.187)FD PIN	124
						123
2	2	-	A	5-21028-1	PIN, STD SPRING (Ø.12)FD ADJ ROD	122
						121
1	1	-	A	1-21030-7	PIN, DOWEL (Ø.187x1.50)H5G	120
1	1	-	A	1-21030-1	PIN, DOWEL (Ø.187x.50)LEVER	119
						118
						117
1	1	-	A	21899-4	WASHER, FLAT (Ø5/16) SCR ADJ	116
						115
2	2	-	A	21024-5	WASHER, LOCK (NO.10)FD ADJ PL	114
						113
2	2	-	A	21024-5	WASHER, LOCK (NO.10)FD ROD GDE	112
						111
7	7	-	A	21024-4	WASHER, LOCK (NO.8)SHEAR BL	110
						109
2	2	-	A	21018-4	NUT, HEX (4-40)DRAG	108
1	1	-	A	21018-5	NUT, HEX (6-32)FD ADJ PL	107
						106
2	2	-	A	21022-2	NUT, HEX SL (8-32)DRAG STUD	105
						104
						103
2	2	-	A	2-21006-6	SCR, SKT SET (4-40x.62)DRAG	102
1	1	-	A	21009-2	SCR, SKT SET (1/4-20x.25)RAM	101
2	2	-	A	21017-2	SCR, DRIVE (#2x.19)ID PLATE	100
1	1	-	A	1-21002-7	SCR, BHC (8-32x.38)CAM	99
1	1	-	B	461264-1	PLATE, IDENTIFICATION	98
1	1	-	A	6-23715-5	SCR, PAN HD (8-32x1.50)FEED ADJ	97
						96
2	2	-	A	2-21002-2	SCR, BHC (8-32x.50)STRIPPER	95
4	4	-	A	2-21002-9	SCR, BHC (10-32x.75)H5G CAP	94
1	1	-	A	22733-8	SCR, BHC (8-32x.38 LW)ANVIL	93
4	4	-	A	3-21002-3	SCR, BHC (1/4-20x.50)ST 6D PL	92
3	3	-	A	2-22733-8	SCR, BHC (1/4-20x.62)BASE PL	91
2	2	-	A	22733-8	SCR, BHC (8-32X.38)SHR-H5G	90
						89
						88
5	5	-	A	2-21000-6	SCR, 5HC (8-32x.38)SLUG BLADE	87
						86
2	2	-	A	2-21000-9	SCR, 5HC (8-32x.75)R 5TP GUIDE	85
2	2	-	A	3-21000-7	SCR, SKT CAP (10-32x.75)FD GDE	84
1	1	-	A	690461-2	STOP, SHEAR	83
2	2	-	A	3-21000-6	SCR, SKT CAP (10-32x.62)FD ADJ P	82
1	1	-	A	3-21000-4	SCR, SKT CAP (10-32x.38)PIVOT BL	81
2	1	-	A	2-21002-7	SCR, BHC (10-32X.50)SH PL	80
REF	-	-	A	455745-1	GUARD, WINDOW	79
-	REF	-	A	679532-1	INSERT, GUARD	78
1	-	-	C	465184-2	LUBRICATOR ASSY	77
1	-	-	A	454406-1	SPACER, LUB BRACKET	76
						75
1	1	-	A	690603-1	SPRING, ASSIST	74
1	1	-	A	23030-1	SCR, SKT CAP (6-32x.25)CP D5C	73
1	1	-	A	458109-1	WASHER, FLAT (SPECIAL)	72
1	1	-	A	690517-1	SPACER	71
						70
-2	-1	U/M	DWG SIZE	PART NO	DESCRIPTION	ITEM NO



QTY	REV	U/M	DWG SIZE	PART NO	DESCRIPTION	ITEM NO
2	2	-	C	3-354779-0	PIN, WIRE DISC (.3140)D	129
2	2	-	C	2-354779-6	PIN, WIRE DISC (.3120)C	128
2	2	-	C	2-354779-4	PIN, WIRE DISC (.3110)B	127
2	2	-	C	354779-8	PIN, WIRE DISC (.3030)A	126
1	1	-	A	986950-1	WASHER, FLAT PRECISION	125
2	2	-	A	21045-3	RING, RET "C" (Ø.187)FD PIN	124
						123
2	2	-	A	5-21028-1	PIN, STD SPRING (Ø.12)FD ADJ ROD	122
						121
1	1	-	A	1-21030-7	PIN, DOWEL (Ø.187x1.50)H5G	120
1	1	-	A	1-21030-1	PIN, DOWEL (Ø.187x.50)LEVER	119
						118
						117
1	1	-	A	21899-4	WASHER, FLAT (Ø5/16) SCR ADJ	116
						115
2	2	-	A	21024-5	WASHER, LOCK (NO.10)FD ADJ PL	114
						113
2	2	-	A	21024-5	WASHER, LOCK (NO.10)FD ROD GDE	112
						111
7	7	-	A	21024-4	WASHER, LOCK (NO.8)SHEAR BL	110
						109
2	2	-	A	21018-4	NUT, HEX (4-40)DRAG	108
1	1	-	A	21018-5	NUT, HEX (6-32)FD ADJ PL	107
						106
2	2	-	A	21022-2	NUT, HEX SL (8-32)DRAG STUD	105
						104
						103
2	2	-	A	2-21006-6	SCR, SKT SET (4-40x.62)DRAG	102
1	1	-	A	21009-2	SCR, SKT SET (1/4-20x.25)RAM	101
2	2	-	A	21017-2	SCR, DRIVE (#2x.19)ID PLATE	100
1	1	-	A	1-21002-7	SCR, BHC (8-32x.38)CAM	99
1	1	-	B	461264-1	PLATE, IDENTIFICATION	98
1	1	-	A	6-23715-5	SCR, PAN HD (8-32x1.50)FEED ADJ	97
						96
2	2	-	A	2-21002-2	SCR, BHC (8-32x.50)STRIPPER	95
4	4	-	A	2-21002-9	SCR, BHC (10-32x.75)H5G CAP	94
1	1	-	A	22733-8	SCR, BHC (8-32x.38 LW)ANVIL	93
4	4	-	A	3-21002-3	SCR, BHC (1/4-20x.50)ST 6D PL	92
3	3	-	A	2-22733-8	SCR, BHC (1/4-20x.62)BASE PL	91
2	2	-	A	22733-8	SCR, BHC (8-32X.38)SHR-H5G	90
						89
						88
5	5	-	A	2-21000-6	SCR, 5HC (8-32x.38)SLUG BLADE	87
						86
2	2	-	A	2-21000-9	SCR, 5HC (8-32x.75)R 5TP GUIDE	85
2	2	-	A	3-21000-7	SCR, SKT CAP (10-32x.75)FD GDE	84
1	1	-	A	690461-2	STOP, SHEAR	83
2	2	-	A	3-21000-6	SCR, SKT CAP (10-32x.62)FD ADJ P	82
1	1	-	A	3-21000-4	SCR, SKT CAP (10-32x.38)PIVOT BL	81
2	1	-	A	2-21002-7	SCR, BHC (10-32X.50)SH PL	80
REF	-	-	A	455745-1	GUARD, WINDOW	79
-	REF	-	A	679532-1	INSERT, GUARD	78
1	-	-	C	465184-2	LUBRICATOR ASSY	77
1						