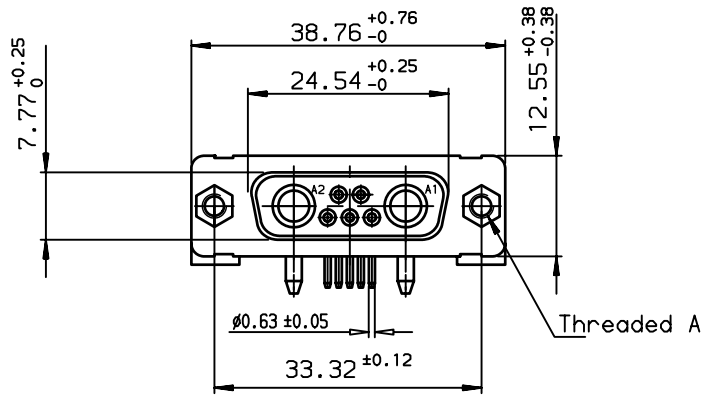
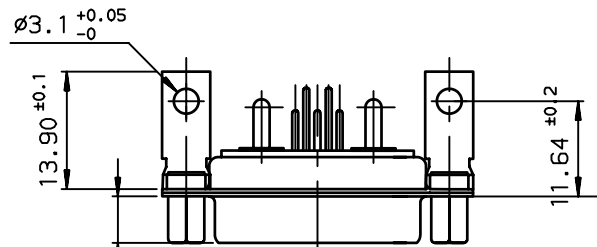


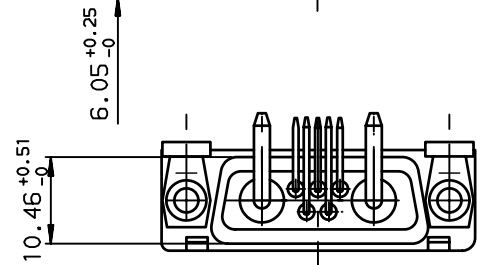
A



B

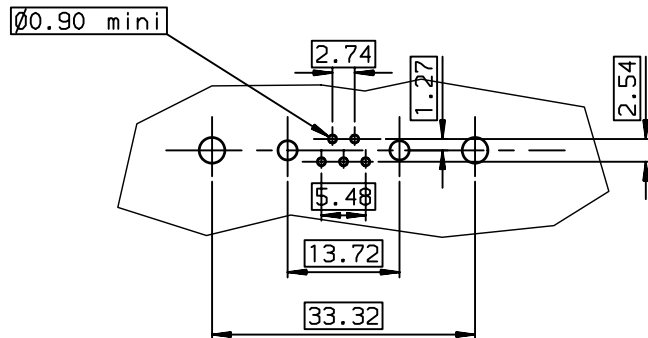


C

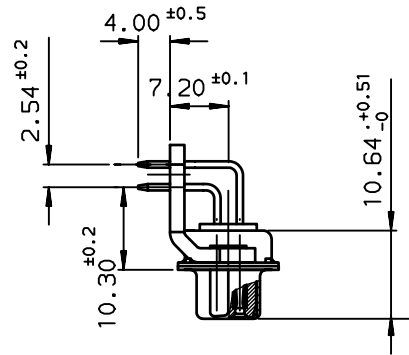


LAYOUT DIMENSIONS (after plating)
CONNECTOR SIDE VIEW

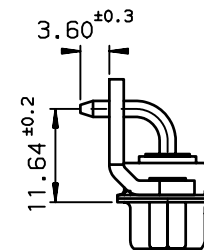
D



VIEW WITHOUT POWERS CONTACTS



VIEW WITH POWERS CONTACTS



TIN LEAD PART NUMBER

DAV7W2S500M30	UNC 4.40
DAI7W2S500M30	M3
PART NUMBER	Threaded A

LEAD FREE PART NUMBER

DAV7W2S500M30LF	UNC 4.40
DAI7W2S500M30LF	M3
PART NUMBER	Threaded A

GENERAL CHARACTERISTICS AND ROHS INFORMATIONS:

SEE DRAWING C01-8639-0001

European Views

www.fciconnect.com		surface ISO 1302 ✓	tolerance std ISO 406 ISO 1101	projection mm	size A3	Scale 1.5
TOLERANCES UNLESS OTHERWISE SPECIFIED				ANGULAR	LINEAR	0.X ±0.1
				0.XX ±0.1	0.XXX ±0.1	ECN L506-0095
Dr	JARRY	2001/01/05	Product family D-SUB Spec ref -			
Eng	PESSON	2001/01/05				
Chr	LEGARE	2001/01/05				
Appr	LEGARE	2001/01/05				
FCJ title		SOCKET CONNECTOR RIGHT ANGLED WITH POWERS CONTACTS		dwg no		Rev.
catalog no		-		C01-8639-1804		D
		CUSTOMER		sheet 1 of 1		

rev	ecn no	dr	date
B	-	DEB	2003/10/01
C	L505-001	MPE	2005/03/09
D	L506-0095	LGO	2006/07/18
-	-	-	-
-	-	-	-
-	-	-	-

A

B

C

D