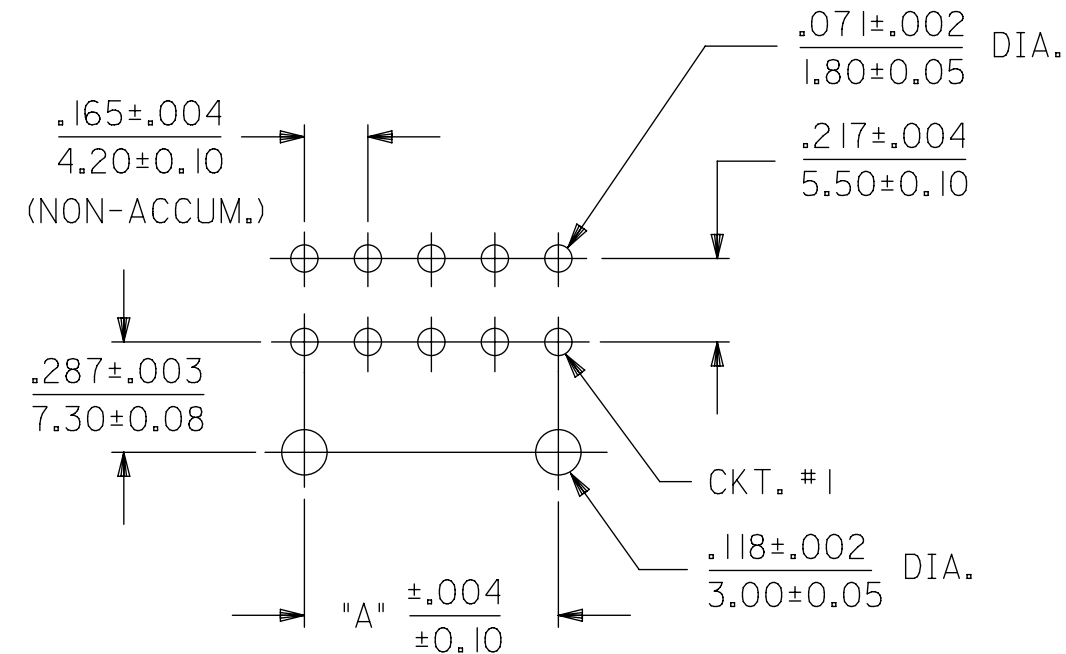
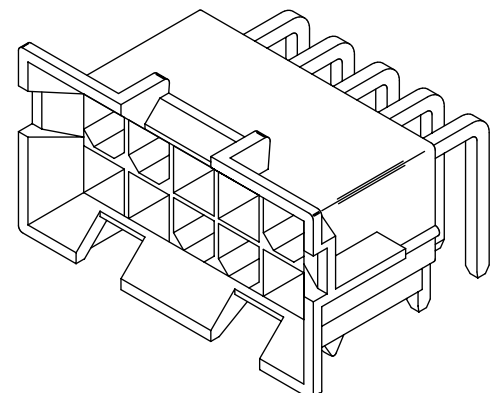
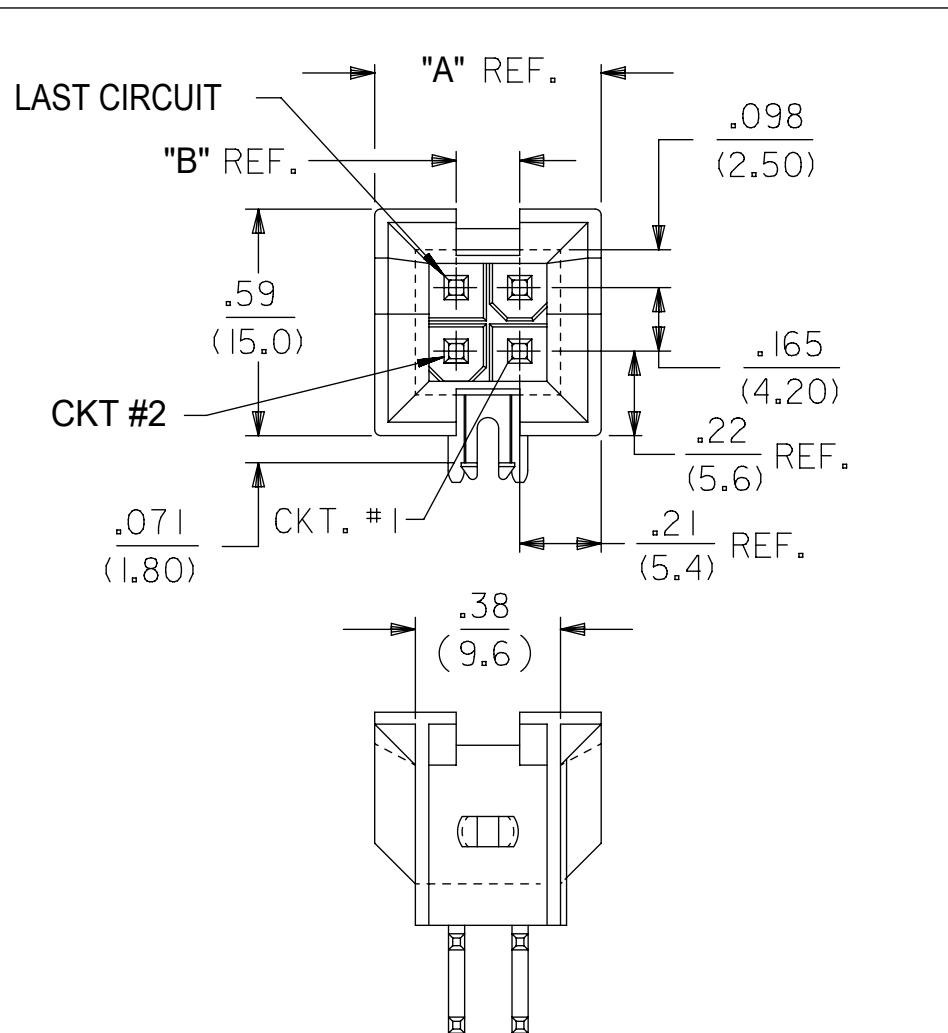


4 CIRCUIT PCB LAYOUT
RECOMMENDED HOLE LAYOUT FOR
.070/(1.78) MAX. THICK P.C. BOARD
VIEWED FROM COMPONENT SIDE



RECOMMENDED P.C.B. LAYOUT, COMPONENT SIDE
.070/1.78 MAX. THICKNESS



4 CIRCUIT PART SHOWN

NOTES:

- MATERIAL:**
HOUSINGS - NYLON, COLOR: NATURAL, SEE CHART
TERMINAL - BRASS
- FINISH:**
222 = .000100/(.00254) MIN. MATTE TINE OVER
.000050/(.00127) MIN. NICKEL OVERALL.
228 = .000030/(.00076) MIN. SELECT GOLD AND
.000100/(.00254) MIN. MATTE TINE OVER
.000050/(.00127) MIN. NICKEL OVERALL.
- PRODUCT SPECIFICATION:** PS-5556-002.
- PACKAGING SPECIFICATIN:** PK-42404-002, 44151-3002 IS BULK PACKED.
- 4-24 CKT PARTS MATE WITH MINI-FIT JR. RECEPTACLES #5557, #42385 AND #42474. 2 CKT PART MATES WITH #42385 AND # 42474 ONLY.**
- PART ALLOWS FOR UP TO .100/(2.54) MISALIGNMENT WITH MATING RECEPTACLE IN ANY DIRECTION. SEE MATING CONNECTOR DRAWINGS FOR SPECIFIC ALLOWANCES.**
- CONNECTOR ASSEMBLIES ARE NOT TO BE MATED OR UNMATED WHILE CIRCUITS ARE LIVE.**
- BOARD LOCK PEGS WILL NOT EXTEND THRU PC BOARDS THICKER THAN THE RECOMMENDED .070/(1.78) MAX.**
- DISCOLORATION IN THE BANDOLIER CARRIER AREA OF THE PIN IS INHERENT TO THE PLATING PROCESS AND IS DUE TO THE MASKING EFFECT OF THE CARRIER. THIS DISCOLORATION IS IN A NON-FUNCTIONAL AREA OF THE PIN AND WILL NOT AFFECT THE PERFORMANCE OF THE HEADER ASSEMBLY.**
- PART IS NOT DESIGNED FOR CURRENT SHARING.**
- PART IS NOT INTENDED TO PROVIDE ANY ALIGNMENT OF CUSTOMER COMPONENTS OR MODULES, SUCH AS POWER SUPPLIES AND CHASSIS.**
- PART CONFORMS TO CLASS 'B' REQUIREMENTS OF COSMETIC SPECIFICATION PS-45499-002.**
- FORMING MARKS ARE ACCEPTABLE.**

CIRCUIT SIZE	DIM. "A"	DIM. "B"
2	—	—
4	.165 (4.20)	.59 (15.0)
6	.331 (8.40)	.76 (19.2)
8	.496 (12.60)	.92 (23.4)
10	.661 (16.80)	1.09 (27.6)
12	.827 (21.00)	1.25 (31.8)
14	.992 (25.20)	1.42 (36.0)
16	1.157 (29.40)	1.58 (40.2)
18	1.323 (33.60)	1.75 (44.4)
20	1.488 (37.80)	1.91 (48.6)
22	1.654 (42.00)	2.08 (52.8)
24	1.819 (46.20)	2.24 (57.0)

QUALITY SYMBOLS 	THIS DRAWING CONTAINS INFORMATION THAT IS PROPRIETARY TO MOLEX ELECTRONIC TECHNOLOGIES, LLC AND SHOULD NOT BE USED WITHOUT WRITTEN PERMISSION							
	ADD 4 CKT VIEW EC NO: 106700 DRWN: CSLAFTER CHKD: JBELL REV APPR: FSMITH	GENERAL TOLERANCES (UNLESS SPECIFIED)		DIMENSION UNITS IN/MM		SCALE 2:1	MINI-FIT JR BMI HEADER ASSEMBLY RIGHT ANGLE	
		4 PLACES ± ±	DRWN BY SAMIEC	DATE 1/4/98		PRODUCT CUSTOMER DRAWING		
		3 PLACES ± ±	CHK'D BY BANDURA	DATE 1/4/98				GENERAL MARKET
2 PLACES ± 0.51 ±	APPR BY FSMITH	DATE 2012/09/26	DRAWING SIZE C	THIRD ANGLE PROJECTION	SERIES 44151	MATERIAL NUMBER SEE CHART	CUSTOMER GENERAL MARKET	
1 PLACES ± 0.64 ±	ANGULAR TOL = 0.5		DRAFT WHERE APPLICABLE MUST REMAIN WITHIN DIMENSIONS		DOCUMENT NUMBER SD-44151-001	DOC TYPE PSD	DOC PART 000	SHEET NUMBER 1 OF 3
0 PLACES ± ±	C3							

12	11	10	9	8	7	6	5	4	3	2	1
44151-0025/0036		44151-0049/0060		44151-0061/0072		44151- /					
HOUSING	NYLON 94V-0	HOUSING	NYLON 94V-0	HOUSING	NYLON 94V-0	HOUSING					
PLATING	FINISH: 222 SEE NOTE 2	PLATING	FINISH: 222 SEE NOTE 2	PLATING	FINISH: 228 SEE NOTE 2	PLATING					
DIM. "D" REF.	$\frac{.22}{(5.7)}$	DIM. "D" REF.	$\frac{.19}{(4.8)}$	DIM. D REFERENCE	$\frac{.22}{(5.7)}$						
MATERIAL NUMBER	CKTS	MATERIAL NUMBER	CKTS	MATERIAL NUMBER	CKTS	MATERIAL NUMBER		CKTS			
44151-0025	02	44151-0049	02	44151-0061	02	44151-		02			
44151-0026	04	44151-0050	04	44151-0062	04	44151-		04			
44151-0027	06	44151-0051	06	44151-0063	06	44151-		06			
44151-0028	08	44151-0052	08	44151-0064	08	44151-		08			
44151-0029	10	44151-0053	10	44151-0065	10	44151-		10			
44151-0030	12	44151-0054	12	44151-0066	12	44151-		12			
44151-0031	14	44151-0055	14	44151-0067	14	44151-		14			
44151-0032	16	44151-0056	16	44151-0068	16	44151-		16			
44151-0033	18	44151-0057	18	44151-0069	18	44151-		18			
44151-0034	20	44151-0058	20	44151-0070	20	44151-		20			
44151-0035	22	44151-0059	22	44151-0071	22	44151-		22			
44151-0036	24	44151-0060	24	44151-0072	24	44151-		24			

12	11	10	9	8	7	6	5	4	3	2	1
44151-2025/2036		44151-2049/2060		44151-2061/2072		44151- /					
HOUSING	NYLON 94V-2	HOUSING	NYLON 94V-2	HOUSING	NYLON 94V-2	HOUSING					
PLATING	FINISH: 222 SEE NOTE 2	PLATING	FINISH: 222 SEE NOTE 2	PLATING	FINISH: 228 SEE NOTE 2	PLATING					
DIM. "D" REF.	$\frac{.22}{(5.7)}$	DIM. "D" REF.	$\frac{.19}{(4.8)}$	DIM. D REFERENCE	$\frac{.22}{(5.7)}$						
MATERIAL NUMBER	CKTS	MATERIAL NUMBER	CKTS	MATERIAL NUMBER	CKTS	MATERIAL NUMBER		CKTS			
44151-2025	02	44151-2049	02	44151-2061	02	44151-		02			
44151-2026	04	44151-2050	04	44151-2062	04	44151-		04			
44151-2027	06	44151-2051	06	44151-2063	06	44151-		06			
44151-2028	08	44151-2052	08	44151-2064	08	44151-		08			
44151-2029	10	44151-2053	10	44151-2065	10	44151-		10			
44151-2030	12	44151-2054	12	44151-2066	12	44151-		12			
44151-2031	14	44151-2055	14	44151-2067	14	44151-		14			
44151-2032	16	44151-2056	16	44151-2068	16	44151-		16			
44151-2033	18	44151-2057	18	44151-2069	18	44151-		18			
44151-2034	20	44151-2058	20	44151-2070	20	44151-		20			
44151-2035	22	44151-2059	22	44151-2071	22	44151-		22			
44151-2036	24	44151-2060	24	44151-2072	24	44151-		24			

NOTE
THIS SHEET IS FOR STANDARD MATING CONFIGURATION
(SEE SHT 3 FOR MATE FIRST/BREAK LAST MATING CONFIGURATION)

QUALITY SYMBOLS 	THIS DRAWING CONTAINS INFORMATION THAT IS PROPRIETARY TO MOLEX ELECTRONIC TECHNOLOGIES, LLC AND SHOULD NOT BE USED WITHOUT WRITTEN PERMISSION											
	ADD 4 CKT VIEW EC NO: 106700 DRWN: CSLAFTER CHKD: JBELL REV APPR: FSMITH	GENERAL TOLERANCES (UNLESS SPECIFIED)			DIMENSION UNITS		SCALE					
					IN/MM		1:1					
					DRWN BY		DATE					
					SAMIEC		1/4/98					
				4 PLACES ±				CHK'D BY		DATE		
				3 PLACES ±				BANDURA		1/4/98		
				2 PLACES ± 0.51 ±				APPR BY		DATE		
				1 PLACES ± 0.64 ±				FSMITH		2012/09/26		
				0 PLACES ±				DRAWING SIZE		THIRD ANGLE PROJECTION		
			ANGULAR TOL = 0.5				C					
			DRAFT WHERE APPLICABLE MUST REMAIN WITHIN DIMENSIONS									
RELEASE STATUS		P1	RELEASE DATE		22.07.2016	15:33:22		SERIES		MATERIAL NUMBER	CUSTOMER	
44151-0025/0036		44151-0049/0060		44151-0061/0072		44151- /		44151		SEE CHART		GENERAL MARKET
44151-0025		44151-0049		44151-0061		44151-		DOCUMENT NUMBER		SD-44151-001		DOC TYPE
44151-0026		44151-0050		44151-0062		44151-		PSD		DOC PART		000
44151-0027		44151-0051		44151-0063		44151-		SHEET NUMBER		2 OF 3		
44151-0028		44151-0052		44151-0064		44151-						
44151-0029		44151-0053		44151-0065		44151-						
44151-0030		44151-0054		44151-0066		44151-						
44151-0031		44151-0055		44151-0067		44151-						
44151-0032		44151-0056		44151-0068		44151-						
44151-0033		44151-0057		44151-0069		44151-						
44151-0034		44151-0058		44151-0070		44151-						
44151-0035		44151-0059		44151-0071		44151-						
44151-0036		44151-0060		44151-0072		44151-						

ITEM NO.	HOUSING MATERIAL	CKT. SIZE	PLATING	DIM. "D" REF.	MATING CONFIGURATION FOR CIRCUIT LOCATION (SEE DESCRIPTION BELOW)																							
					1	2	3	4	5	6	7	8	9	10	11	12	13	14	15	16	17	18	19	20	21	22	23	24
44 15 1-3001	NYLON 94V-0	06	228	.20/5.1	S228	MF228	MF228	MF228	MF228	MF228																		
44 15 1-3002	NYLON 94V-0	14	228	.28/7.2	M228	MF228	MF228	MF228	MF228	MF228	MF228	MF228	MF228	MF228	MF228	MF228	S228											
44 15 1-																												
44 15 1-																												
44 15 1-																												
44 15 1-																												
44 15 1-																												
44 15 1-																												
44 15 1-																												
44 15 1-																												
44 15 1-																												
44 15 1-																												
44 15 1-																												
44 15 1-																												
44 15 1-																												
44 15 1-																												
44 15 1-																												
44 15 1-																												
44 15 1-																												
44 15 1-																												
44 15 1-																												
44 15 1-																												
44 15 1-																												
44 15 1-																												
44 15 1-																												

PIN CODE	MATING CONFIGURATION	FINISH SEE NOTE 2
S228	STANDARD PIN LENGTH	228
S222	STANDARD PIN LENGTH	222
MF228	MATE FIRST/BREAK LAST PIN	228
MF222	MATE FIRST/BREAK LAST PIN	222
--	VOIDED CIRCUIT	NONE

NOTE
THIS SHEET IS FOR MATE FIRST / BREAK LAST MATING CONFIGURATION (SEE SHT 2 FOR STANDARD MATING OPTION)

QUALITY SYMBOLS ▽ = 0 ▽ = 0 ▽ = 0 ▽ = 0 ▽ = 0 ▽ = 0 ▽ = 0 ▽ = 0 ▽ = 0 ▽ = 0	THIS DRAWING CONTAINS INFORMATION THAT IS PROPRIETARY TO MOLEX ELECTRONIC TECHNOLOGIES, LLC AND SHOULD NOT BE USED WITHOUT WRITTEN PERMISSION																
	ADD 4 CKT VIEW EC NO: 106700 DRWN: CSLAFTER CHKD: JBELL REV APPR: FSMITH	GENERAL TOLERANCES (UNLESS SPECIFIED)				DIMENSION UNITS		SCALE									
		MM		INCH		IN/MM		1:1									
		4 PLACES ± ±				DRWN BY		DATE		MINI-FIT JR BMI HEADER ASSEMBLY RIGHT ANGLE							
		3 PLACES ± ±				SAMIEC		1/4/98									
	2 PLACES ± 0.51 ±				CHK'D BY		DATE		PRODUCT CUSTOMER DRAWING								
	1 PLACES ± 0.64 ±				BANDURA		1/4/98										
	0 PLACES ± ±				APPR BY		DATE		SERIES: 44151 MATERIAL NUMBER: SEE CHART CUSTOMER: GENERAL MARKET								
	ANGULAR TOL = 0.5				FSMITH		2012/09/26										
	DRAFT WHERE APPLICABLE MUST REMAIN WITHIN DIMENSIONS				DRAWING SIZE		THIRD ANGLE PROJECTION		DOCUMENT NUMBER: SD-44151-001 DOC TYPE: PSD DOC PART: 000 SHEET NUMBER: 3 OF 3								
				C													