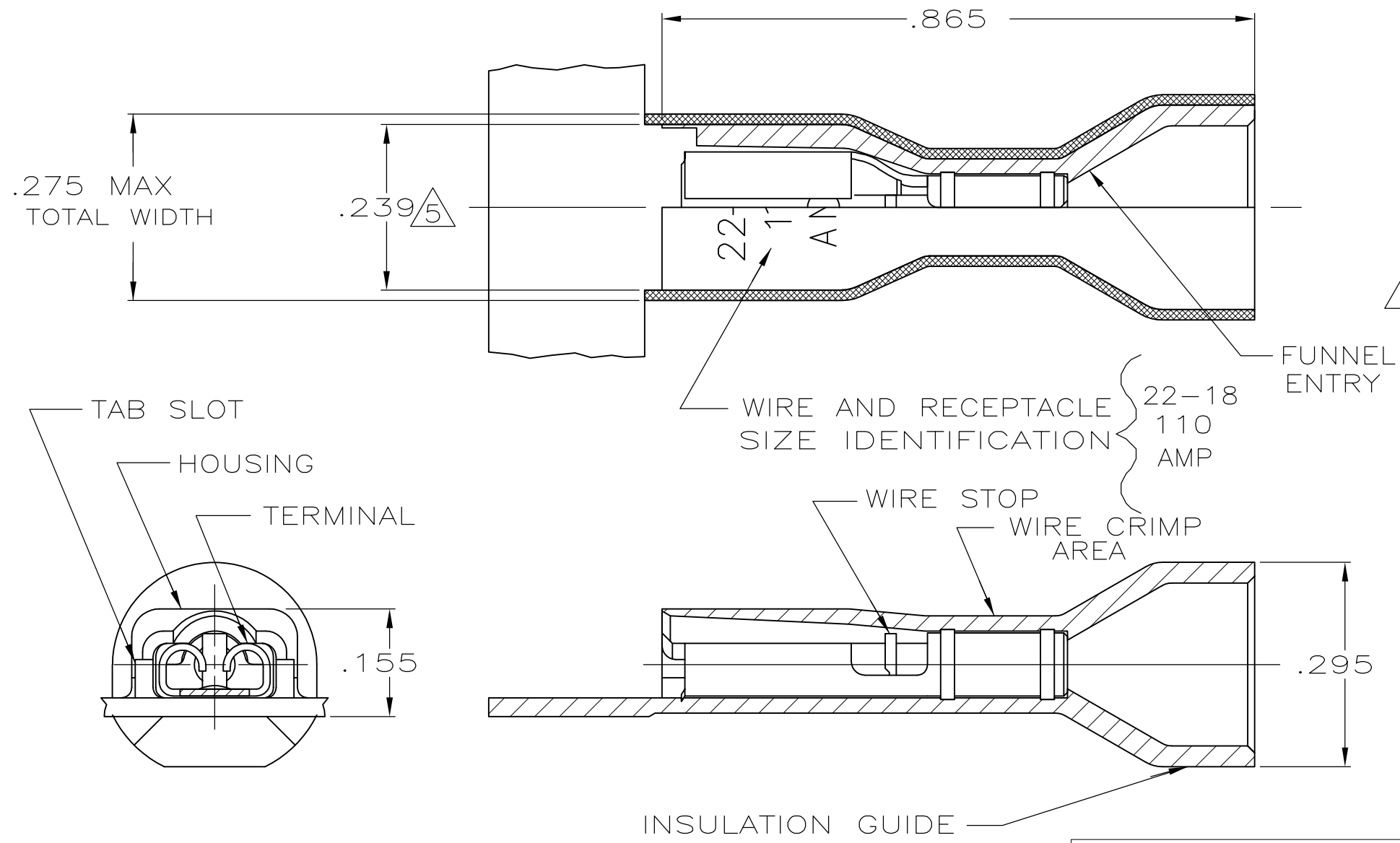


THIS DRAWING IS UNPUBLISHED. RELEASED FOR PUBLICATION  
 © COPYRIGHT - By - ALL RIGHTS RESERVED.

LOC	DIST	REVISIONS					
AF	50	P	LTR	DESCRIPTION	DATE	DWN	APVD
			H	REVISED PER ECR-12-005303	23JUL12	KH	KR



- 1 MATES WITH .032±.001 X .110 OR .125 TABS.
- 2 WIRE STRIP LENGTH .281
- 3 INSULATION SIZE .230 MAX DIA
- 4 CONTINUOUS STRIP ON REELS
- 5 DIMENSION DOES NOT INCLUDE TRIM BURR

HOUSING: NYLON, COLOR-RED TRANSLUCENT	2-520310-2
RECEPTACLE: #3 HARD BRASS TIN	
MATERIAL & FINISH	PART NUMBER

THIS DRAWING IS A CONTROLLED DOCUMENT.		DWN	P FORTNEY	5/8/89	 TE Connectivity	NAME	RECEPTACLE ASSY, ULTRA-FAST, .110/.125 SERIES, 22-18 AWG				
DIMENSIONS: INCHES		CHK	MS FEHER	5/8/89							
TOLERANCES UNLESS OTHERWISE SPECIFIED:		APVD	K RANDOLPH	5/8/89							
0 PLC ± - 1 PLC ± - 2 PLC ± - 3 PLC ± .015 4 PLC ± - ANGLES ± -		PRODUCT SPEC	108-2043								
MATERIAL	SEE TABLE	FINISH	SEE TABLE		APPLICATION SPEC	114-2123	SIZE	CAGE CODE	DRAWING NO	RESTRICTED TO	
					WEIGHT	-	A3	00779	C-520310	-	
CUSTOMER DRAWING						SCALE	5:1	SHEET	1 OF 1	REV	H