
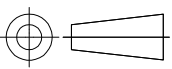


THIS DRAWING IS UNPUBLISHED
 RELEASED FOR PUBLICATION SEP , 1998.
 © COPYRIGHT 2010 By - ALL RIGHTS RESERVED.

LOC		DIST		REVISIONS			
P	LTR	DESCRIPTION		DATE	DWN	APVD	
	B	CONTACT MATERIAL & PLATING CHANGE		20JUN2014	PS	JK	

PACKAGING AND PRODUCT DETAILS:

PIN HEADER PACKED IN TUBE: SEE DRAWING 966306 (PdNi+GOLD FLASH AT CONTACT AREA)
 PIN HEADER PACKED IN BLISTER: SEE DRAWING 1241150 (PdNi+GOLD FLASH AT CONTACT AREA)
 PIN HEADER PACKED IN BLISTER: SEE DRAWING 2823050 (GOLD PLATING AT CONTACT AREA)

THIS DRAWING IS A CONTROLLED DOCUMENT.		DWN A.HO 08.11.93	 TE Connectivity		
DIMENSIONS: mm		CHK M.SCHAARSCHMIDT 08.11.93			
		APVD -	NAME AMPMODU II STIFTLISTE EINREIHIG,SMD-VERSION		
TOLERANCES UNLESS OTHERWISE SPECIFIED:		PRODUCT SPEC -	APPLICATION SPEC -		
0 PLC ± - 1 PLC ± - 2 PLC ± - 3 PLC ± - 4 PLC ± - ANGLES ± -		WEIGHT -	SIZE A3	CAGE CODE 00779	DRAWING NO C-966710
MATERIAL -	FINISH -	CUSTOMER DRAWING		SCALE -	SHEET 1 OF 1
				RESTRICTED TO -	REV B