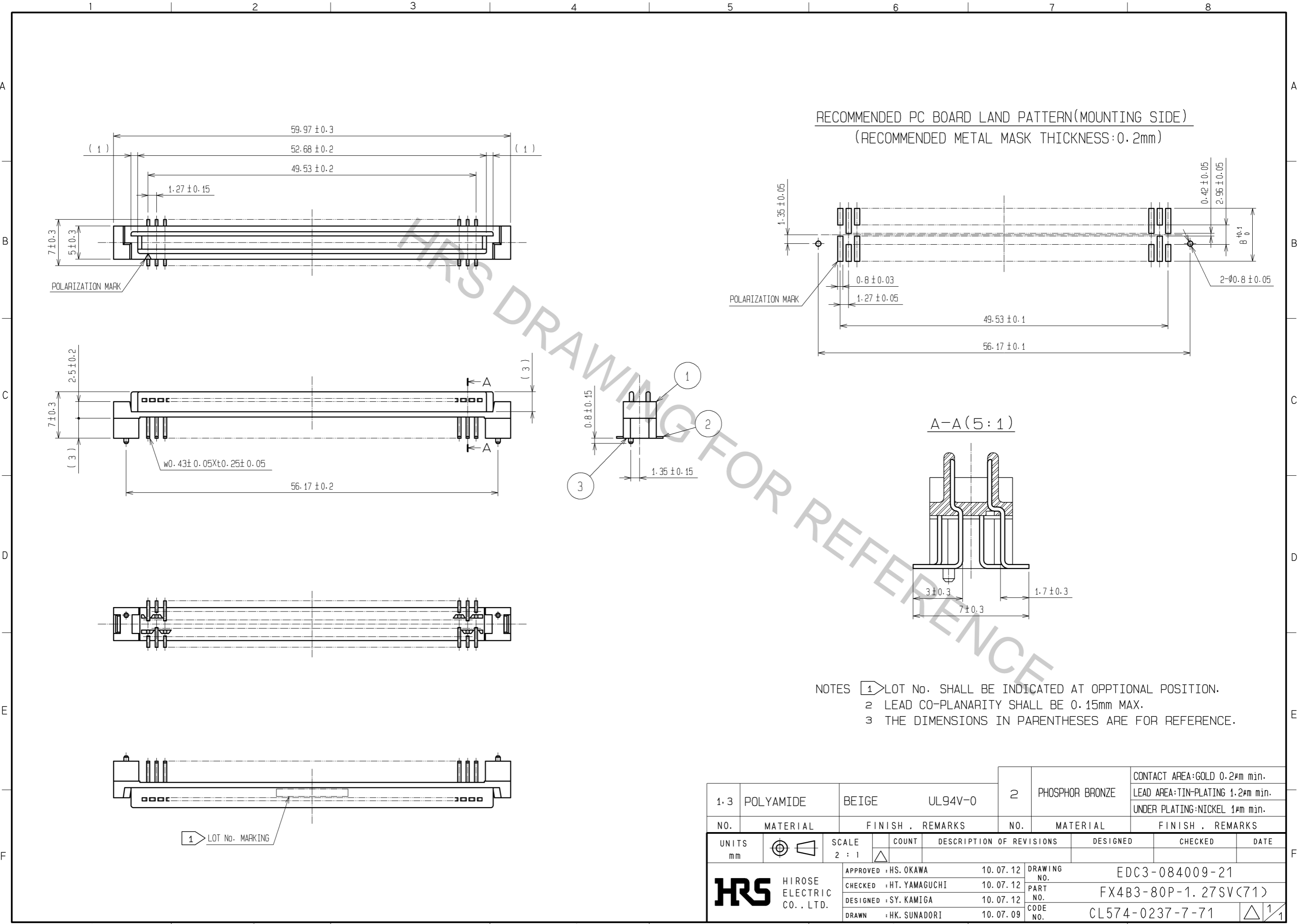


May.1.2017 Copyright 2017 HIROSE ELECTRIC CO., LTD. All Rights Reserved.



1.3	POLYAMIDE	BEIGE	UL94V-0	2	PHOSPHOR BRONZE	CONTACT AREA:GOLD 0.2µm min. LEAD AREA:TIN-PLATING 1.2µm min. UNDER PLATING:NICKEL 1µm min.		
NO.	MATERIAL	FINISH	REMARKS	NO.	MATERIAL	FINISH, REMARKS		
UNITS mm		SCALE 2:1	COUNT 	DESCRIPTION OF REVISIONS		DESIGNED	CHECKED	DATE
HRS HIROSE ELECTRIC CO., LTD.		APPROVED : HS. OKAWA	10.07.12	DRAWING NO.		EDC3-084009-21		
		CHECKED : HT. YAMAGUCHI	10.07.12	PART NO.		FX4B3-80P-1.27SV(71)		
		DESIGNED : SY. KAMIGA	10.07.12	CODE NO.		CL574-0237-7-71		
		DRAWN : HK. SUNADORI	10.07.09			1/1		