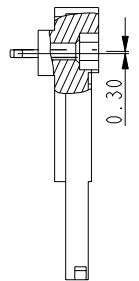
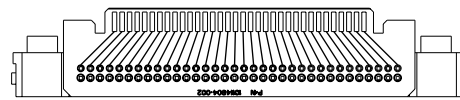
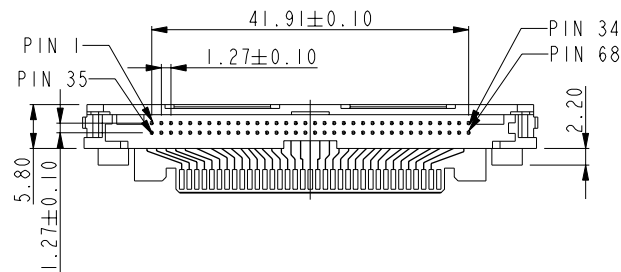
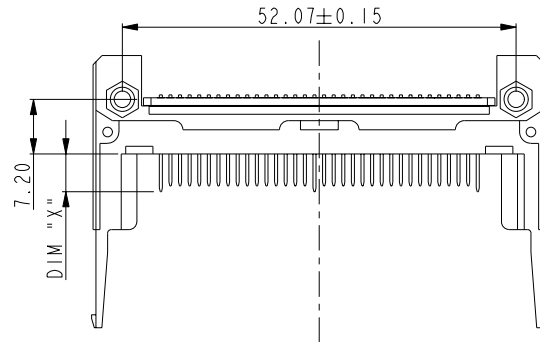


PRODUCT NO.
10117065-001LF



SECTION A-A



NOTE:

- MATERIAL
1.1 HEADER ASS'Y
HOUSING: LCP UL94V-0 BLACK
TERMINAL: COPPER ALLOY
1.2 PCB: FR4
- PLATING
UNDER PLATING: 1.27 um MIN. Ni
CONTACT AREA: GOLD FLASH
SOLDER TAIL: 2.5 um MIN. MATTE TIN
- DIM "X"

DIM X			
DIM	4.25±0.25	3.5±0.1	5.0±0.1
PIN NUMBER	OTHERS	36,67	1,17,34,35,51,68

- THE HOUSING WILL WITHSTAND EXPOSURE TO 260° PEAK TEMPERATURE FOR 10 SECONDS IN A WAVE SOLDER APPLICATION WITH A 1.00mm MINIMUM THICK CIRCUIT BOARD.
- LEAD FREE PRODUCT MEETS EUROPEAN UNION DIRECTIVES AND OTHER COUNTRY REGULATIONS AS DISCRIBLED IN GS-22-008.
- IF LEAD FREE P/N. PACKAGING MEETS GS-14-920 SPECIFICATION
- MATED BOARD CONNECTOR P/N: 73277-101402LF.
- PRODUCT SPEC: 110-263
- PACKAGE SPEC: GS-14-416

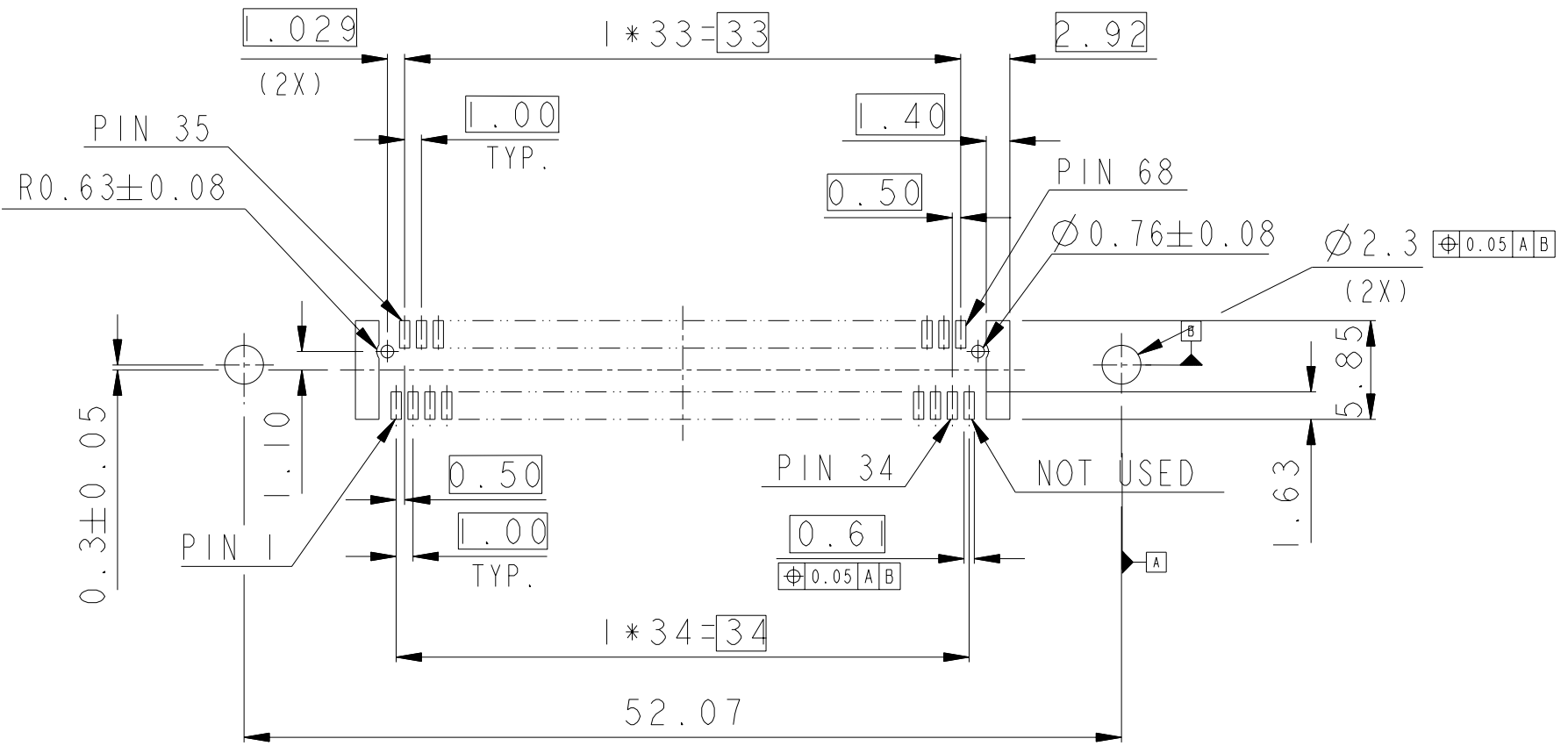
www.fciconnect.com			surface <input checked="" type="checkbox"/>	tolerance std	projection	MM	
			TOLERANCES UNLESS OTHERWISE SPECIFIED			Scale 1.000	
Dr	MIAO SH	2010-12-08	ANGULAR	LINEAR	0.X	±0.3	size A4
Eng	MIAO SH	2010-12-08			0.XX	±0.15	
Chr	RICK BIAN	2011-01-18	0°	±2°	0.XXX	±0.08	ECN N11-0014
Appr	HSIA JOSEPH	2011-01-18	Product family		Spec ref		
			FCI		title	3.3V EJECTOR HEADER ASS'Y	
					dwg no	10117065	
					Rev.	A	
					catalog no	CUSTOMER	
					sheet 1 of 2		

rev	ecn no	dr	date
I	-	SH	2010-12-07
A	N11-0014	SH	2011-01-18
-	-	-	-
-	-	-	-
-	-	-	-
-	-	-	-





Copyright FCI.



(RECOMMENDED PCB LAYOUT FOR CONAN)

www.fciconnect.com			surface	<input checked="" type="checkbox"/>	tolerance std	projection	MM	
			TOLERANCES UNLESS OTHERWISE SPECIFIED					
Dr	MIAO SH	2010-12-08	ANGULAR	LINEAR	0.X	±0.3	size A4	Scale 1.000
Eng	MIAO SH	2010-12-08			0.XX	±0.15		
Chr	RICK BIAN	2011-01-18			0.XXX	±0.08		
Appr	HSIA JOSEPH	2011-01-18	Product family		- Spec ref			
			title 3.3V EJECTOR HEADER ASS'Y - catalog no -			dwg no 10117065 Rev. 1		
			CUSTOMER			sheet 2 of 2		