

5

4

3

2

1

DRAWING NO.
28-84707

REVISIONS

01	OFFICIAL RELEASE			2009.09.0
	08-18-09	L	L	H

Betty 09:38:15
+0800C

D



Description: CPAD557 BNC Adpter, Jack To Jack

Part No: 28-84707

Application: Adapter

Crimp Tool: N/A

Impedance: 75 ohm

Frequency Range: 0~2 GHz

Material: Body Zinc Nickel plated

Insulator Delrin

Contact Berllium Gold plated

Mounting nut Brass Nickel plated

Lockwasher Steel Nickel plated

RoHS Compliance: Yes

Technical Detail: Refer to Emerson Document P/N 27-0000

C

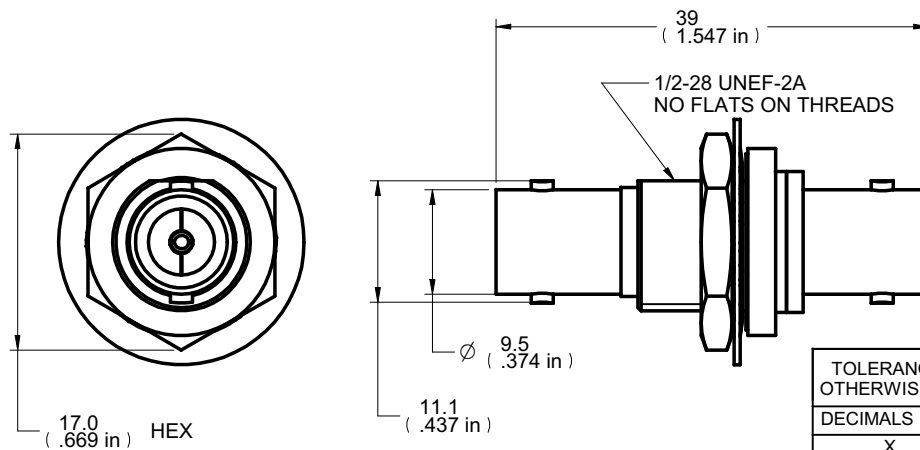
C

受控 CONTROLLED DOCUMENT

编号 P/N	28-84707-CUST	版本 Rev	01	日期 Rel'd Date	SEP 14,09
-----------	---------------	-----------	----	------------------	-----------

B

B

DIM OUTLINE

CUSTOMER COPY

A

A

TOLERANCE UNLESS OTHERWISE SPECIFIED		DRAWN BY LINDA.WU	DATE 08-18-09
DECIMALS	mm	CHECKED BY LINDA.WU	DATE 08-18-09
X	± 0.5	APPROVED BY THOMAS	DATE 08-18-09
X.X	± 0.3		
X.XX	± 0.1		
ANGLES	± 0.5°	U/M	mm

TITLE
CPAD557 BNC ADPTR, JACK TO JACKSHEET 1 OF 1
DRAWING NO. 28-84707
SIZE ATHIS DRAWING WAS PRODUCED BY COMPUTER,
DO NOT SCALE DRAWING OR UPDATE MANUALLY.

5

4

3

2

1