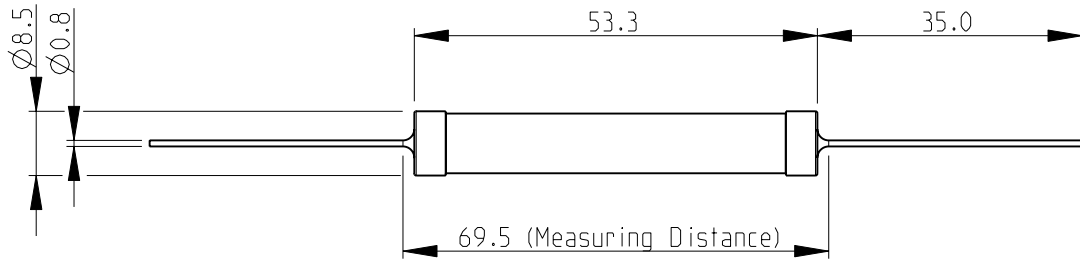


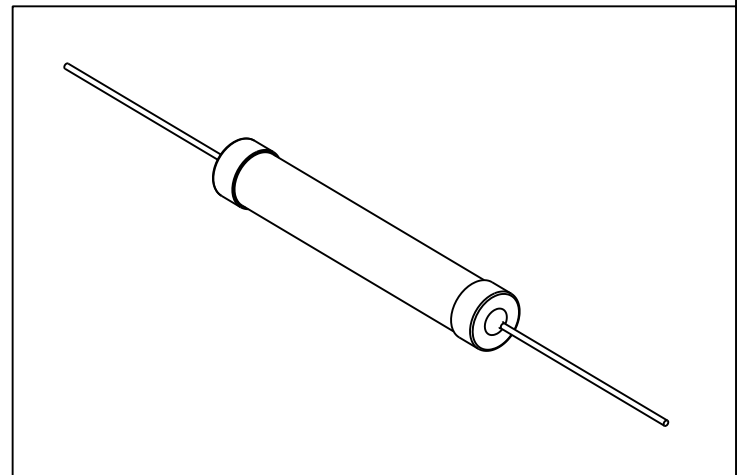
LOC	DIST	REVISIONS					
E	B	P	LTR	DESCRIPTION	DATE	DWN	APVD
			BA1	NOTE 2 ADDED	30NOV2010	PT	St.P

NOTES:

- FOR FURTHER INFORMATION SEE DATA SHEET FOR C SERIES-HIGH POWER RESISTORS.
- WEIGHT 0.600 Kg PER 100 PIECES.



RoHS Compliant



2008

RELEASED FOR PUBLICATION

THIS DRAWING IS UNPUBLISHED.

BY TYCO ELECTRONICS CORPORATION. ALL RIGHTS RESERVED.

DIMENSIONS: mm	DWN	SUBHASH.M	16-Sep-08	MATERIAL	-	FINISH	-
	CHK	PRAKASH.S	16-Sep-08	Tyco Electronics Tyco Electronics Corporation Dorcan, Swindon, SN3 5HH			
TOLERANCES UNLESS OTHERWISE SPECIFIED:	APVD	STEPHEN.P	16-Sep-08				
0 PLC ±0.2	PRODUCT SPEC	NAME HIGH POWER RESISTORS SERIES C14					
1 PLC ±0.1	-						
2 PLC ±-	APPLICATION SPEC	SIZE CAGE CODE DRAWING NO RESTRICTED TO					
3 PLC ±-	-	A 4 00779 C-1623774				-	
4 PLC ±-	WEIGHT	-					
ANGLES ±5°	CUSTOMER DRAWING						
SCALE 1:1							SHEET 1 OF 1
AMP 1469-35 REV 31MAR2000							REV BA1

