

HONEYWELL
PART NUMBER
ZV10D10P01

正式資料
 2011.06.30
 研發本部

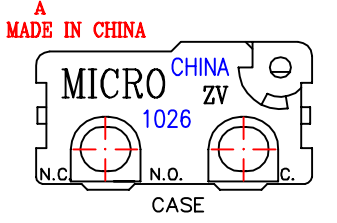
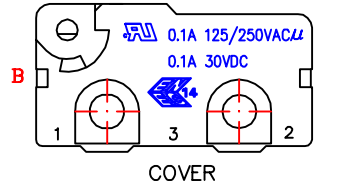
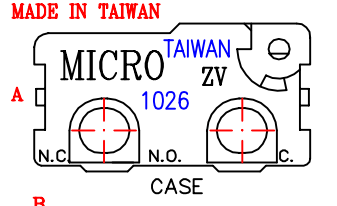
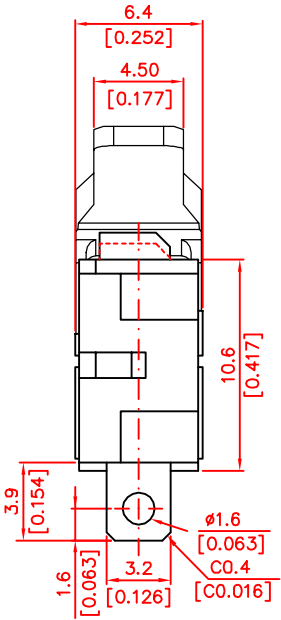
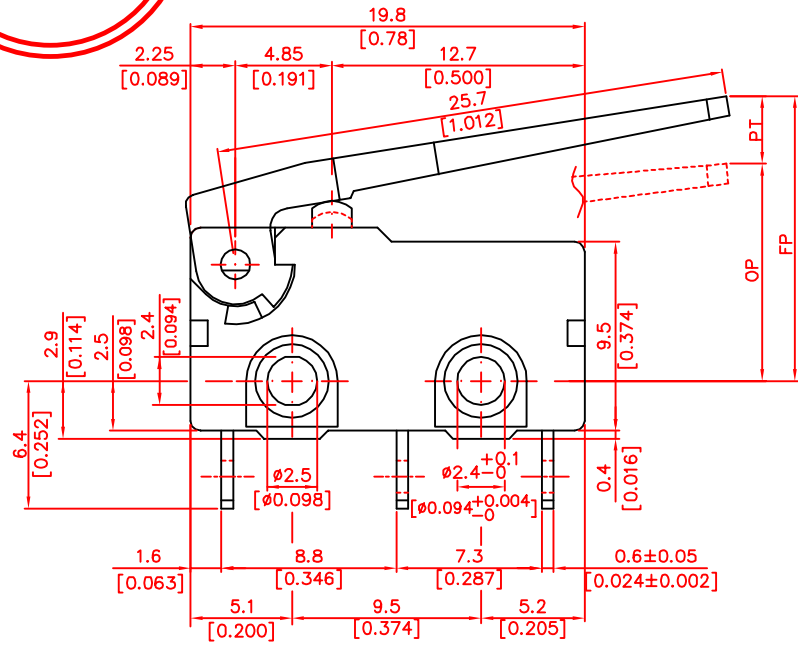
REV	DATE	DOCUMENT	CHANGED BY	CHECK
E	2011.06.29	USE NEW FRAME	PEGGY	KING

Operation Characteristics

Operating Force (OF)	Max. 23 gf
Releasing Force (RF)	Min. 4 gf
Free Position (FP)	Max. 19.1 mm
Operating Position (OP)	10.6 ± 1.7 mm
Movement Differential (MD)	Max. 1.2 mm
Over-travel (OT)	Min. 1.3 mm
Pre-travel (PT)	Max. 6.8 mm

Specifications

Initial Contact Resistance	Max. 300 mΩ. (Measured by ohm meter -Open Voltage<1VDC, Driver current -100mA) Before measure the switch contact resistance, please press the switch three times on and off.
Initial Dielectric Strength	1000 VAC(50-60HZ)/minute between live-part and grounding 1500VAC(50-60HZ)/minute between live-parts(LP.) and dead metal parts(DP.).
Insulation Resistance	Min. 100 MΩ (500 VDC/minute)
Circuit Arrangement	SPDT (Single pole double throw)
Rating	0.1A 125/250 VAC; 0.1A 30VDC
Service Life	Min. 1,000,000 operations
Rating Load	Resistive Load
Operating Frequency	10-30 operations per minute
Safety certificate	UL, cUL, CE, ENEC14
Mechanical Service Life	Min. 5,000,000 operations.
Operating Frequency	Max. 400 operations per minute



DATE CODE
1026
 year week
 Date code will be random on A side or B side

Environments

Operating Temperature	-40°C~125°C (with no icing)
Storage Humidity	at 40°C, Max. 85% R.H
Soldering By Hand	350°C maximum within 5 seconds
Soldering Bath	260°C maximum within 5 seconds

DESIGN UNITS: MM
TOLERANCES UNLESS NOTED:

NO PLACES	X	±	1.000
ONE PLACE	.X	±	0.40
TWO PLACE	.XX	±	0.40
THREE PLACE	.XXX	±	0.40
ANGLES	X	±	3.0°

THIRD ANGLE PROJECTION

APPROVAL	CHECK	DRAWN
KING	WEILY	PEGGY
THIS DRAWING COVERS A PROPRIETARY ITEM AND IS THE PROPERTY OF HONEYWELL. THIS DRAWING IS NOT TO BE COPIED OR USED WITHOUT THE PERMISSION OF HONEYWELL.		
INTERPRET PER ASME Y14.5M-1994 OTHER HONEYWELL ENGINEERING STANDARDS MAY APPLY		
AUTOCAD		

Honeywell				
TITLE SWITCH				
SIZE	TYPE	CAGE CODE	DRAWING NAME	REV
A4	-	-	ZV10D10P01	E
SCALE 2.5 : 1			SHEET	1 OF 1