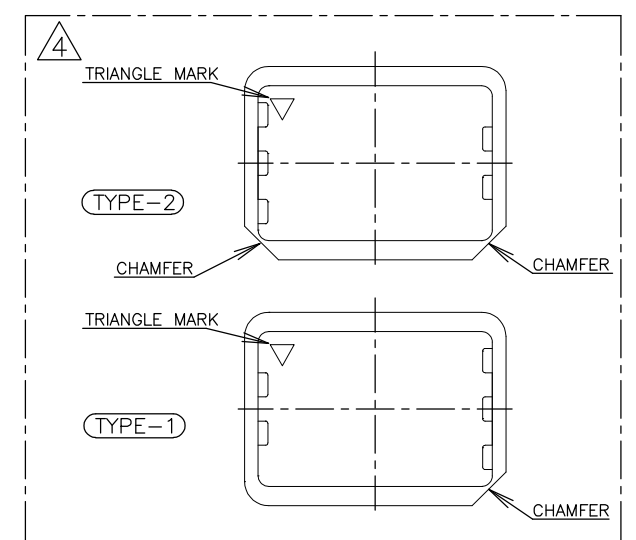
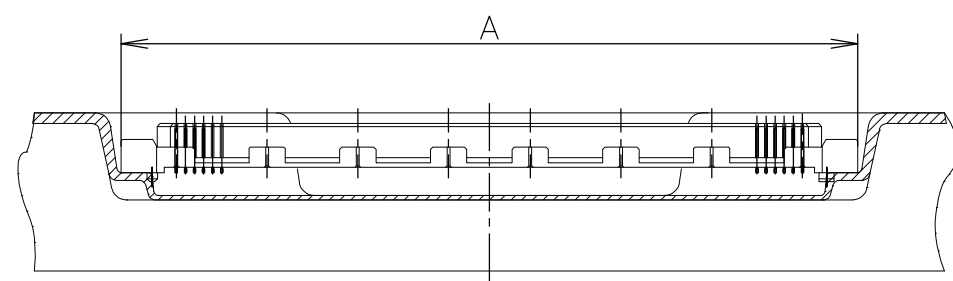
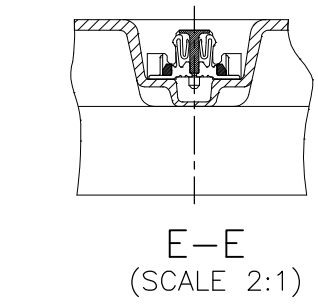
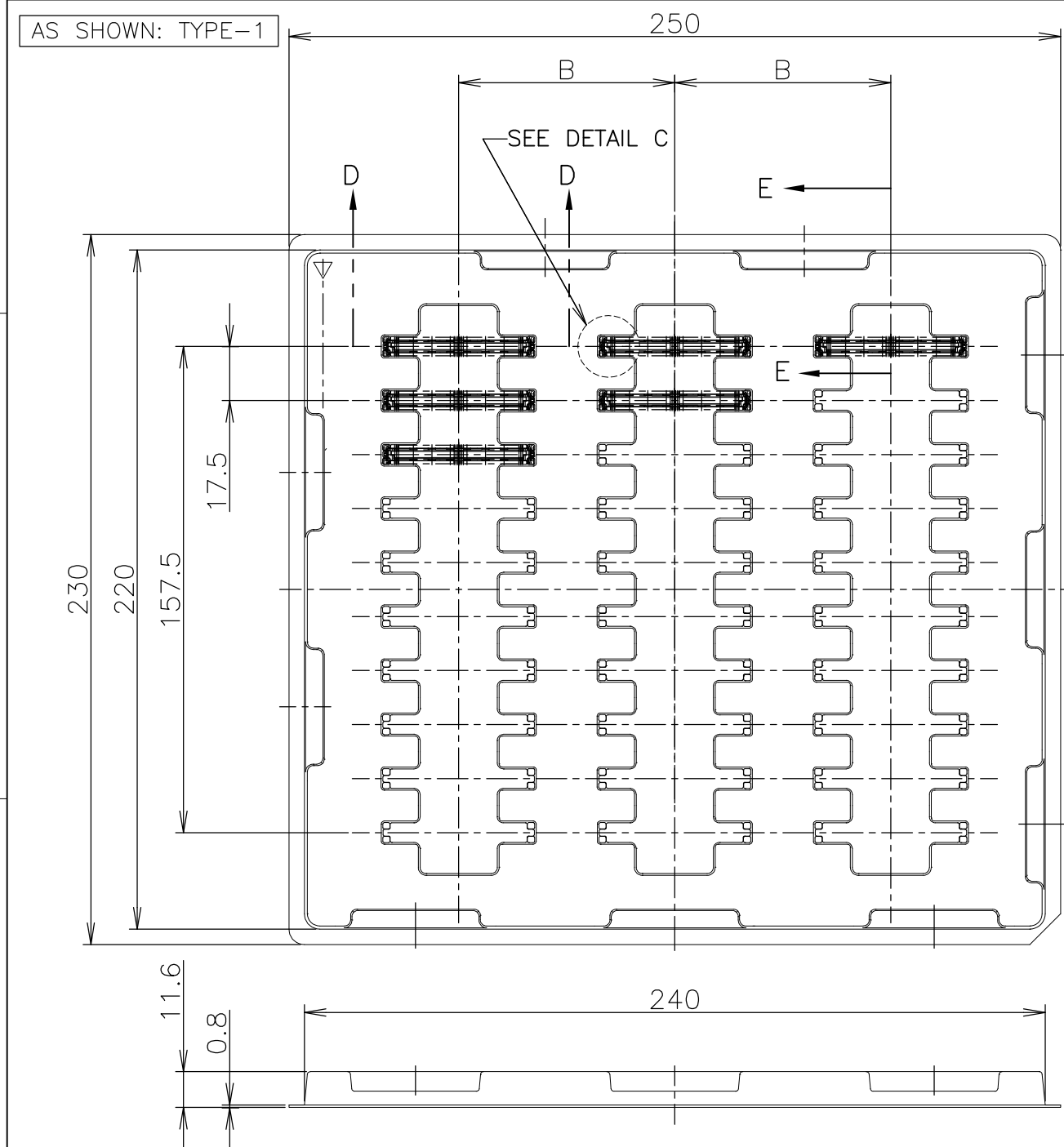
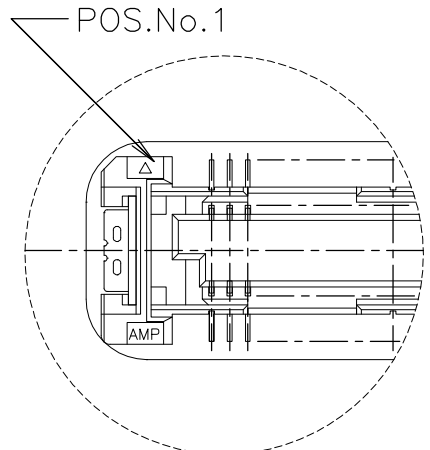


THIS DRAWING IS UNPUBLISHED. RELEASED FOR PUBLICATION MAY, 1995.
 © COPYRIGHT 1995 By - ALL RIGHTS RESERVED.

LOC	DIST	REVISIONS					
J		P	LTR	DESCRIPTION	DATE	DWN	APVD
			B1	REVISED ECR-14-013112	30JAN2015	I.T	W.H



SEALANT	TOOLING STATUS	ROW	QTY	B	A	POS.	TRAY P/N	PART NO.
SEALANT		3	30	70	54.7	160	912063-9	6-5316077-1
		↑	↑	↑	48.7	140	912063-8	6-↑-0
		↓	↓	↓	42.7	120	4-912065-9	5-↓-9
		↓	↓	↓	36.7	100	8-912066-2	5-↓-8
		3	30	70	33.7	90	9-912066-6	5-↓-7
		5	50	43	30.7	80	912067-3	5-↓-6
		↑	↑	↑	27.7	70	912063-1	5-↓-5
		↓	↓	↓	24.7	60	9-912066-5	5-↓-4
		↓	↓	↓	21.7	50	9-912062-9	5-↓-3
		↓	↓	↓	18.7	40	9-912066-4	5-↓-2
		5	50	43	15.7	30	9-912066-3	5-5316077-1
NON SEALANT		3	30	70	54.7	160	912063-9	1-5316077-1
		↑	↑	↑	48.7	140	912063-8	1-↑-0
		↓	↓	↓	42.7	120	4-912065-9	↓-9
		↓	↓	↓	36.7	100	8-912066-2	↓-8
		3	30	70	33.7	90	9-912066-6	↓-7
		5	50	43	30.7	80	912067-3	↓-6
		↑	↑	↑	27.7	70	912063-1	↓-5
		↓	↓	↓	24.7	60	9-912066-5	↓-4
		↓	↓	↓	21.7	50	9-912062-9	↓-3
		↓	↓	↓	18.7	40	9-912066-4	↓-2
		5	50	43	15.7	30	9-912066-3	5316077-1



⚠ TRAY TYPE-1 AND TYPE-2 MUST BE PILED UP BY TURNS. (REFER TO PACKING SPECIFICATIONS)

GENERAL TOLERANCE 一般公差

10 ≥	±0.2
30 ≥	>10: ±0.25
100 ≥	>30: ±0.3
ANGLES: ±3°	

THIS DRAWING IS A CONTROLLED DOCUMENT.

DIMENSIONS: 单位: 耗 mm	TOLERANCES UNLESS OTHERWISE SPECIFIED: 一般公差	DWN HAWKING HE 21DEC04
		CHK STEVEN YAO 21DEC04
		APVD I.ENOMOTO 21DEC04
		NAME 名称
		PRODUCT SPEC 製品規格
		108-60047
		APPLICATION SPEC 取付適用規格
		114-5255
MATERIAL 材料	FINISH 仕上	WEIGHT

STE TE Connectivity

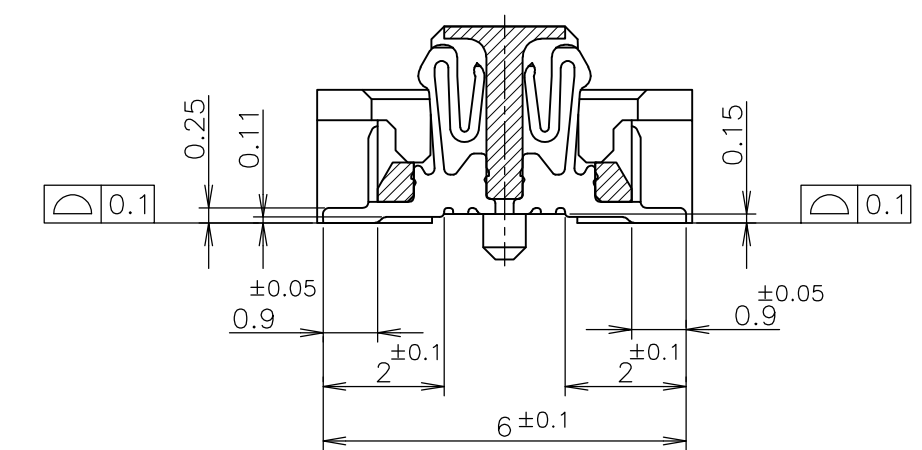
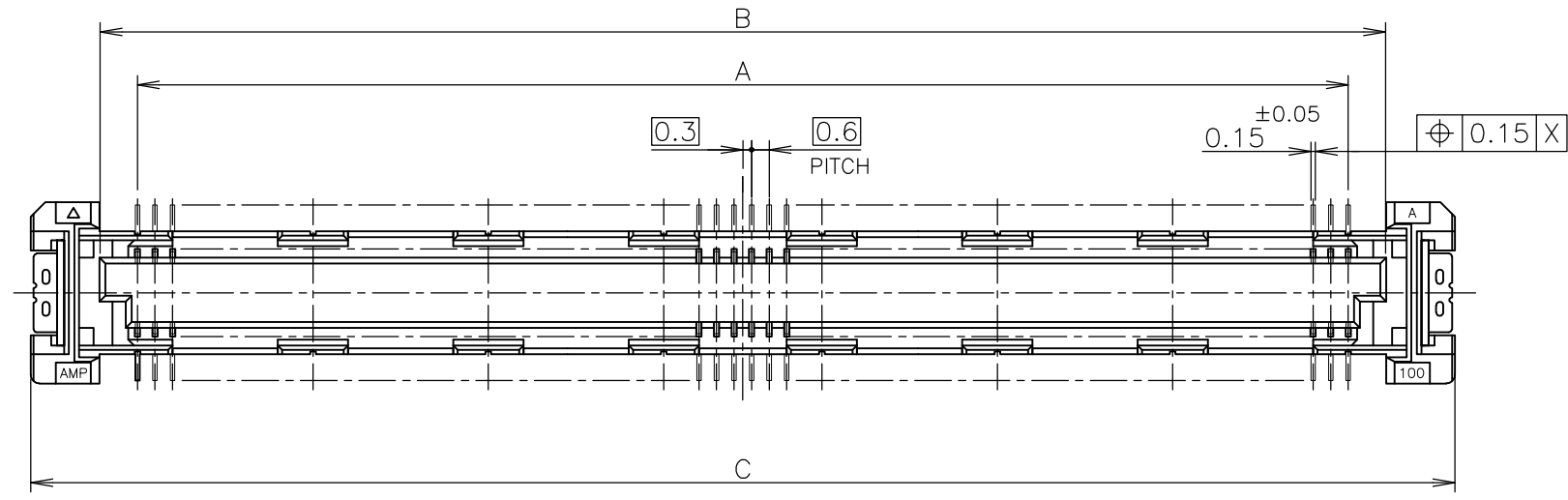
TRAY ASSY
FH 0.6BTB CONNECTOR
REC 4H W/G-CONT

SIZE	CAGE CODE	DRAWING NO 番号	RESTRICTED TO
A3	00779	G-5316077	

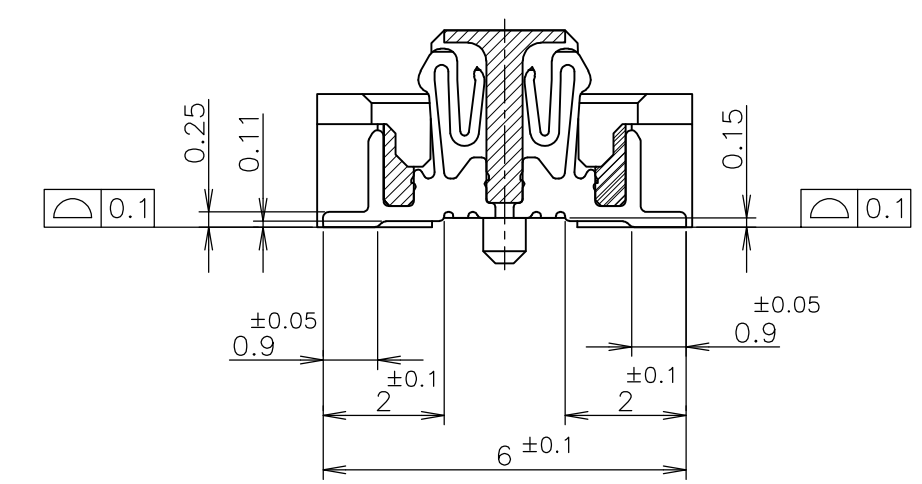
CUSTOMER DRAWING SCALE 尺度 1:2 SHEET 1 OF 3 REV B1

THIS DRAWING IS UNPUBLISHED. RELEASED FOR PUBLICATION MAY, 1995.
 © COPYRIGHT 1995 By - ALL RIGHTS RESERVED.

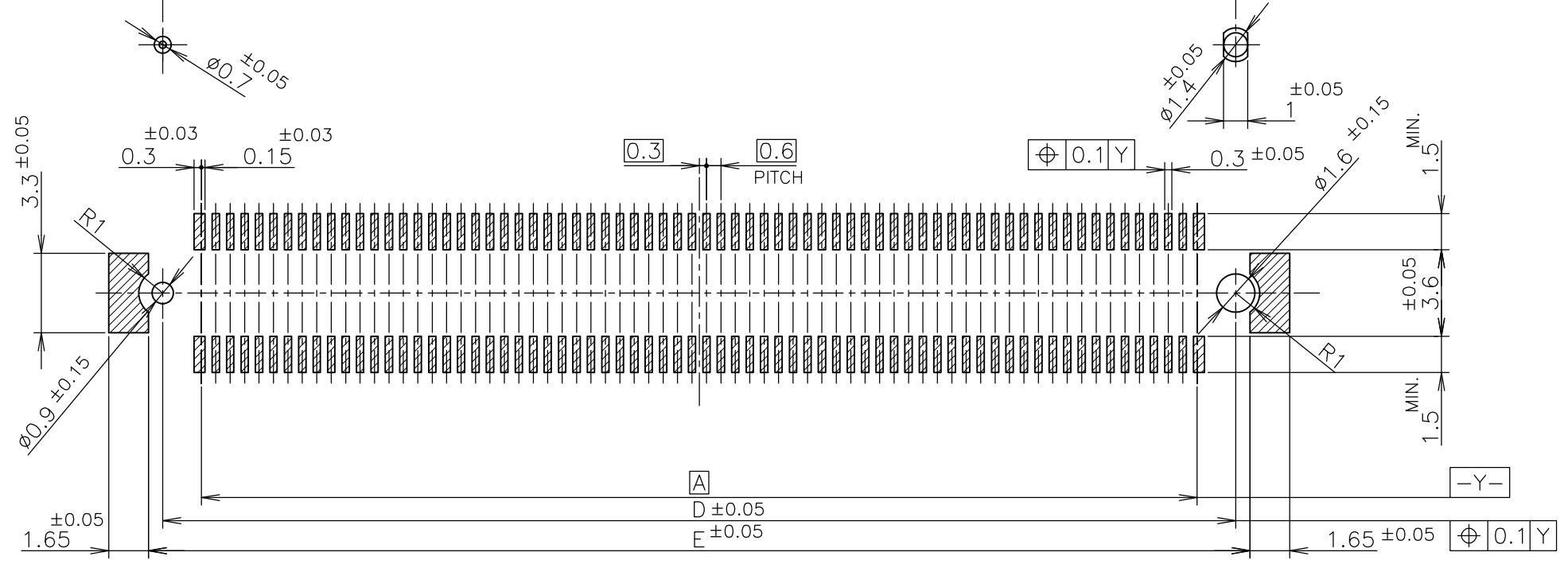
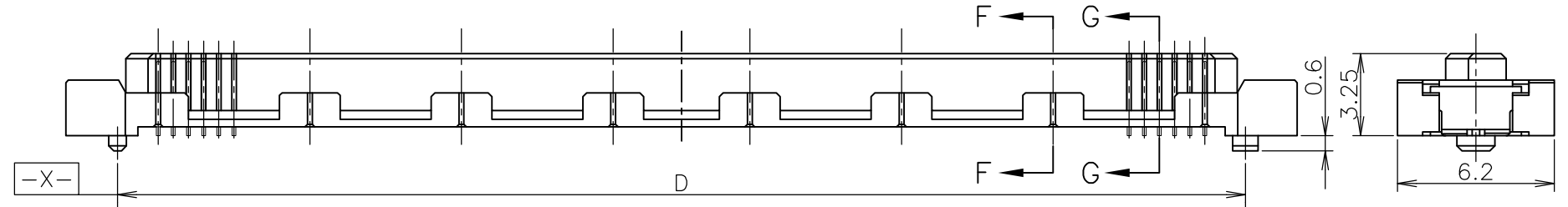
LOC	DIST	REVISIONS			DATE	DWN	APVD
J		P	LTR	DESCRIPTION			
		-		SEE SHEET 1	-	-	-



G-G
(SIGNAL POSITION)
(SCALE 8:1)



F-F
(GROUND POSITION)
(SCALE 8:1)



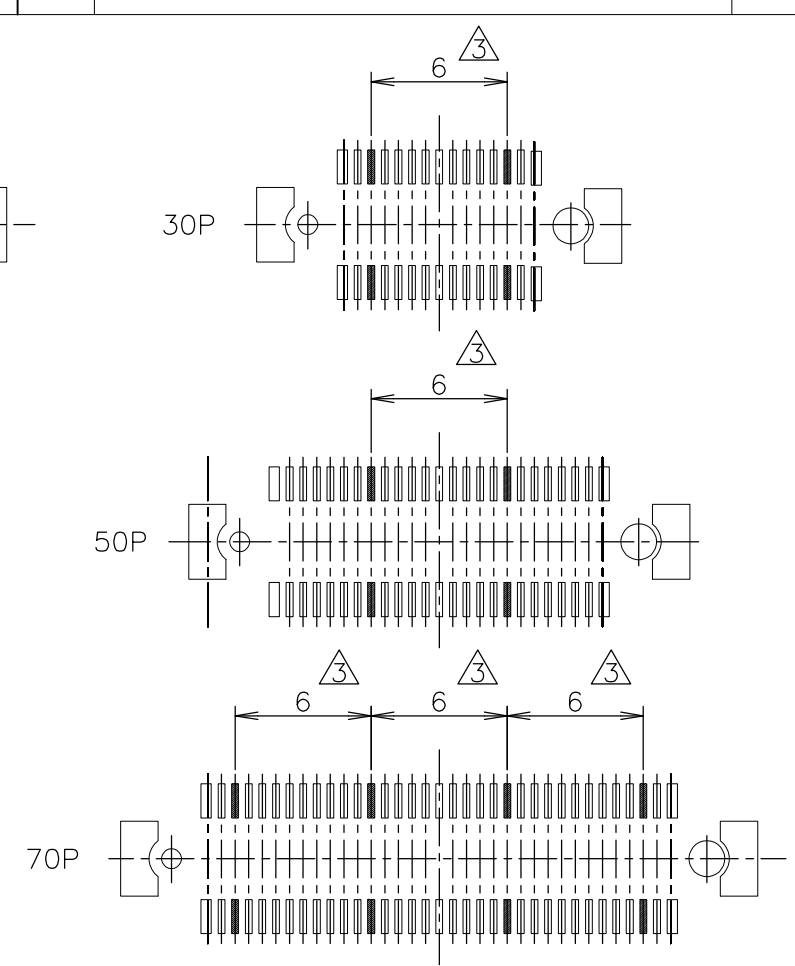
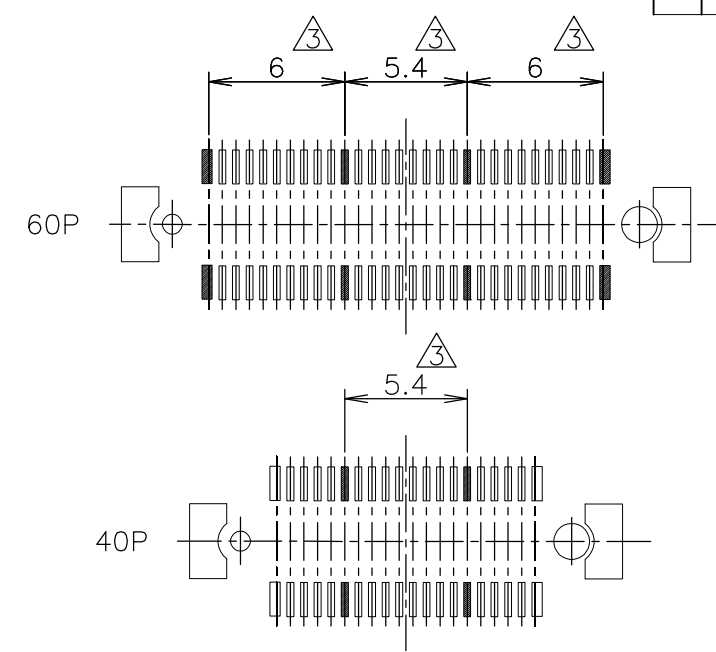
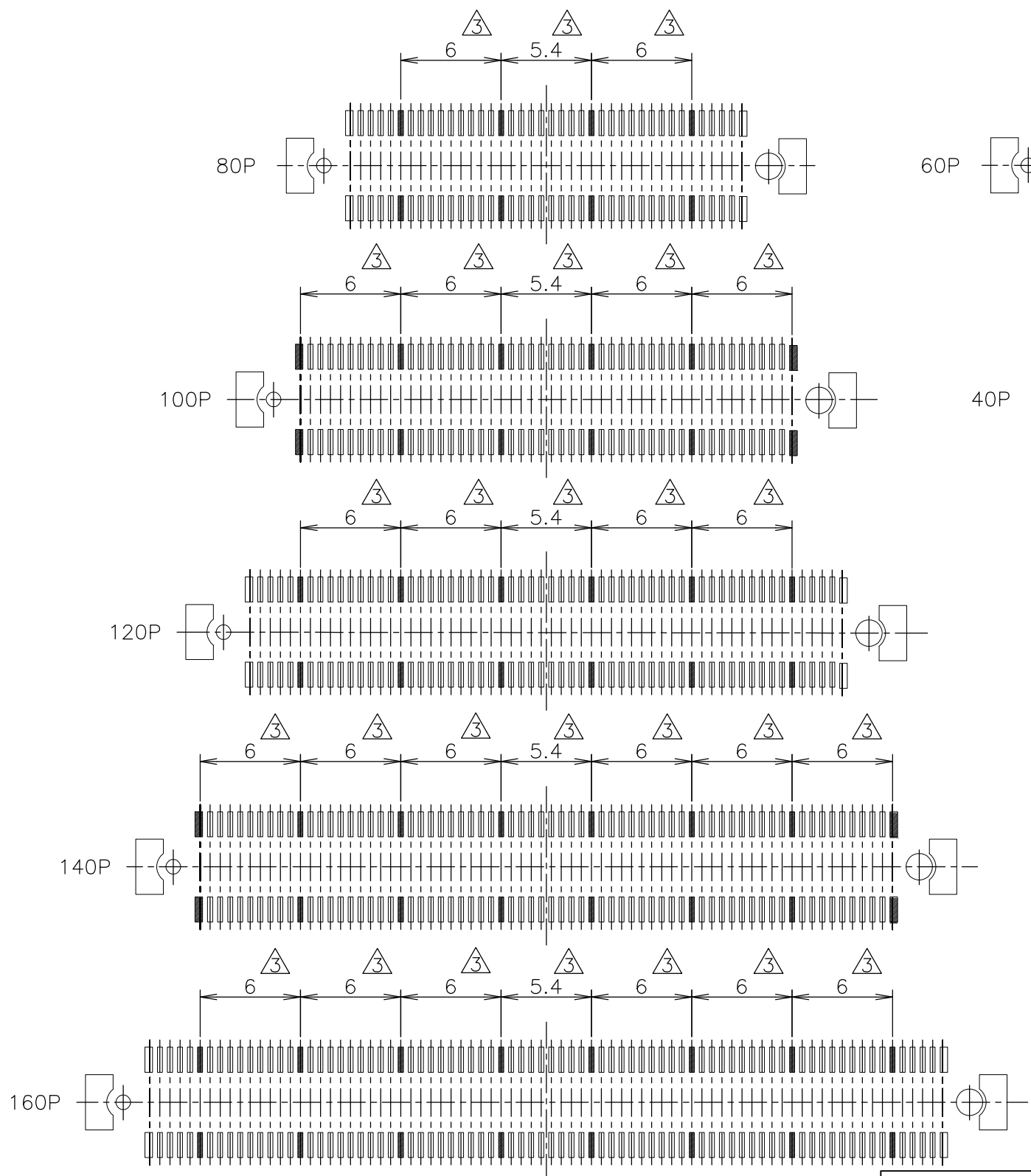
AVAILABLE	51.8	50.6	54.7	50	47.4	160
AVAILABLE	45.8	44.6	48.7	44	41.4	140
NOT AVAILABLE	39.8	38.6	42.7	38	35.4	120
AVAILABLE	33.8	32.6	36.7	32	29.4	100
NOT AVAILABLE	30.8	29.6	33.7	29	26.4	90
AVAILABLE	27.8	26.6	30.7	26	23.4	80
	24.8	23.6	27.7	23	20.4	70
	21.8	20.6	24.7	20	17.4	60
	18.8	17.6	21.7	17	14.4	50
AVAILABLE	15.8	14.6	18.7	14	11.4	40
NOT AVAILABLE	12.8	11.6	15.7	11	8.4	30
TOOLING STATUS	E	D	C	B	A	POS

REFERENCE P.C.BOARD LAYOUT

THIS DRAWING IS A CONTROLLED DOCUMENT.		DWN	TE Connectivity		
DIMENSIONS: 単位: 耗 mm		CHK			
TOLERANCES UNLESS OTHERWISE SPECIFIED: 一般公差		APVD			
0 PLC ± 0.3 1 PLC ± 0.3 2 PLC ± 0.3 3 PLC ± 0.3 4 PLC ± 0.3 ANGLES ± 3°		PRODUCT SPEC 製品規格			
MATERIAL 材料		WEIGHT	NAME 名称		
FINISH 仕上		TRAY ASSY			
①		FH 0.6BTB CONNECTOR			
②		REC 4H W/G-CONT			
CUSTOMER DRAWING		SIZE	CAGE CODE	DRAWING NO	RESTRICTED TO
		A3	00779	G-5316077	
		SCALE 尺度	SHEET	REV	
		4:1	2 OF 3	B1	

THIS DRAWING IS UNPUBLISHED. RELEASED FOR PUBLICATION MAY, 1995.
 © COPYRIGHT 1995 By - ALL RIGHTS RESERVED.

LOC J	DIST	REVISIONS 変更		
P	LTR	DESCRIPTION	DATE	DWN
	-	SEE SHEET 1	-	-
				APVD



- ① MATERIAL ; HOUSING : HIGH TEMP THERMO PLASTIC
UL94V-0
- ② FINISH ; UNDER PL Ni 0.0013mm MIN ALL OVER.
CONTACT : COPPER ALLOY
CONTACT AREA 0.0002 MIN Au PL.
SOLDERING AREA: SIGNAL POS 0.00005 MIN Au PL.
GROUND POS 0.001 MIN TIN PL.
- ③ THIS POSITION IS GROUND CIRCUIT.

THIS DRAWING IS A CONTROLLED DOCUMENT.		DWN	STE TE Connectivity		
DIMENSIONS: 単位: 耗 mm		CHK			
TOLERANCES UNLESS OTHERWISE SPECIFIED: 一般公差		APVD	NAME 名称		
0 PLC ± 0.3		PRODUCT SPEC 製品規格	TRAY ASSY		
1 PLC ± 0.3		APPLICATION SPEC 取付適用規格	FH 0.6BTB CONNECTOR		
2 PLC ± 0.3		WEIGHT	SIZE	CAGE CODE	DRAWING NO 番号
3 PLC ± 0.3		CUSTOMER DRAWING	A3	00779	G-5316077
4 PLC ± 0.3			SCALE 尺度	3:1	SHEET 3 OF 3
ANGLES ± 3'		RESTRICTED TO			
FINISH 仕上					