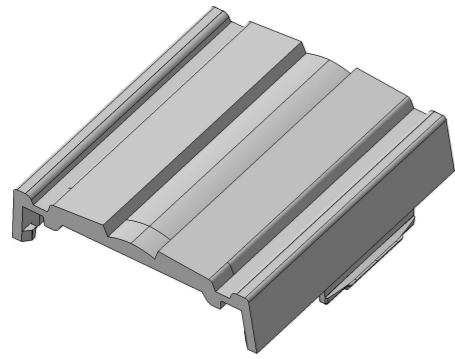
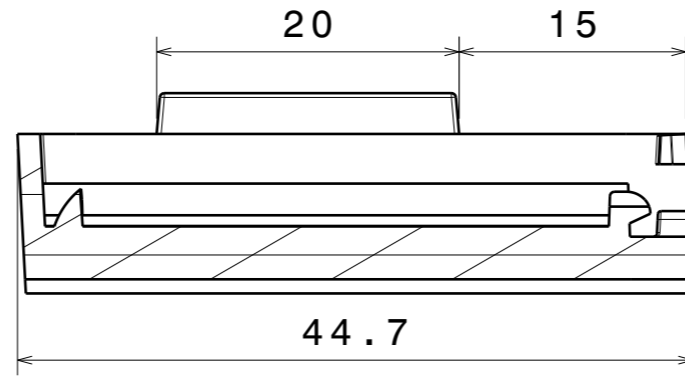


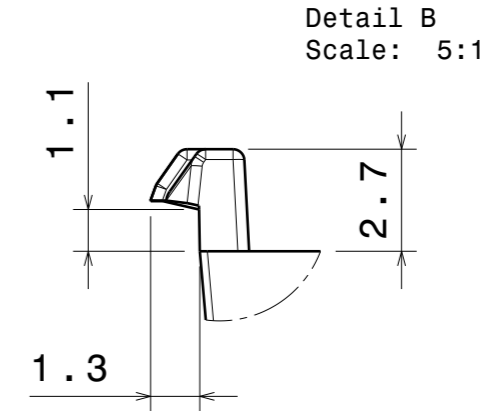
H G F E D C B A



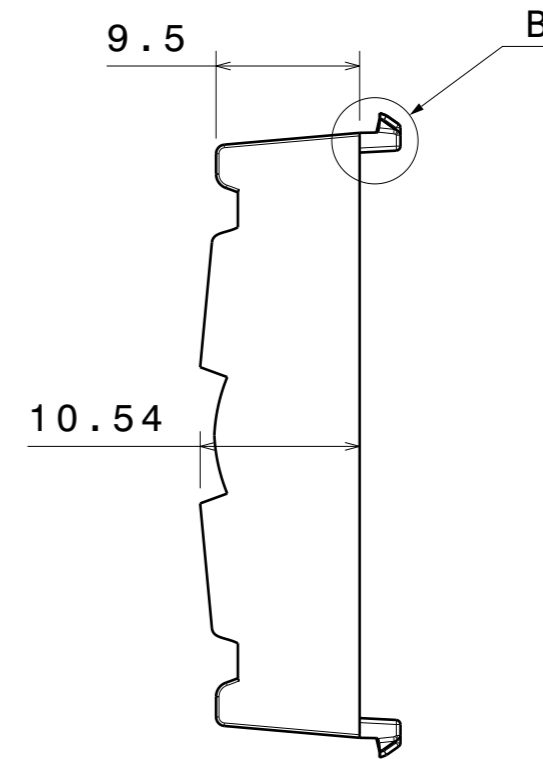
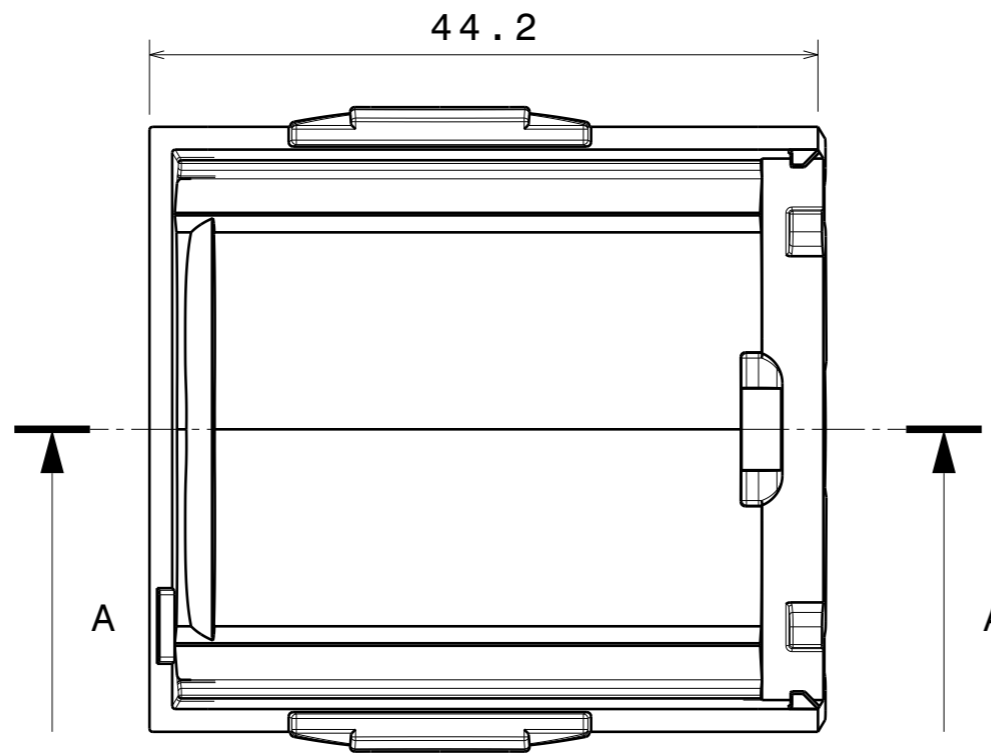
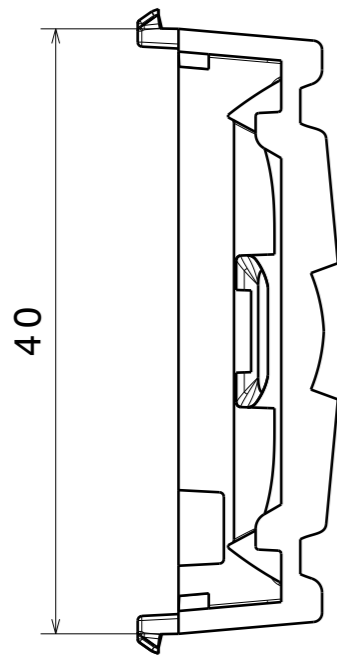
Isometric view  
Scale: 1:1



Section view A-A  
Scale: 2:1



Detail B  
Scale: 5:1



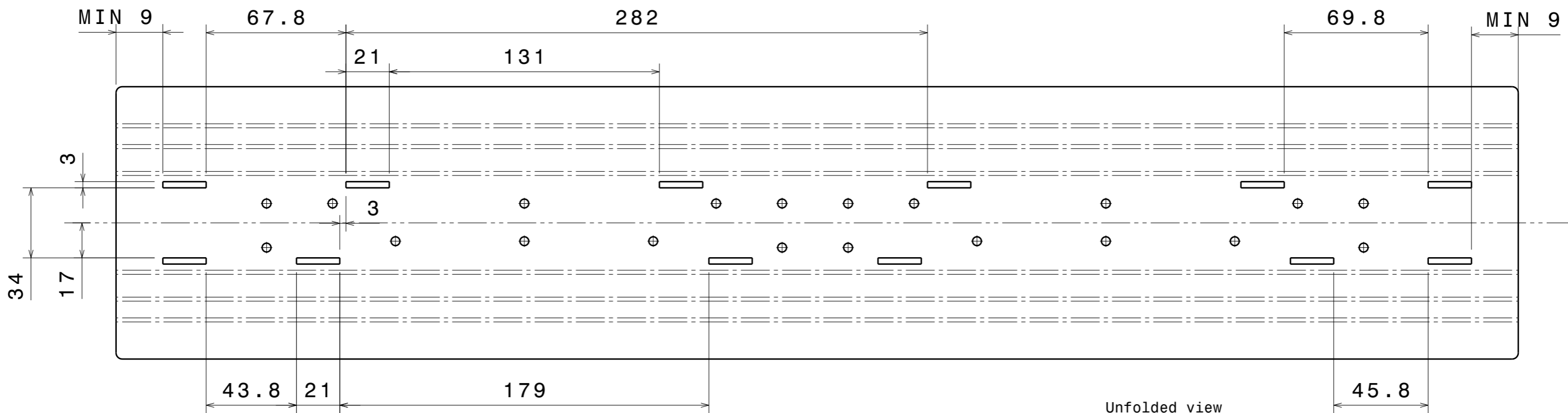
PART	TYPE	MATERIAL	COLOR / COATING
F16314		PC	CLEAR

<b>MECHANICAL DRAWING</b>		<b>LEDiL®</b>
PRODUCT	F16314_LINNEA-O-END-ML	
Plastic moulding general tolerances according to DIN 16901-130 and applies if not otherwise shown in the drawing. Silicone moulding general tolerances according to ISO 3302-1 Class M3 and applies if not otherwise shown in the drawing.	FIRST ANGLE PROJECTION: 	This drawing is the property of LEDiL Oy. It may not be copied or otherwise distributed without prior written permission from LEDiL Oy.
SCALE 2:1	WEIGHT 7,3 g	A3 SHEET 1/2

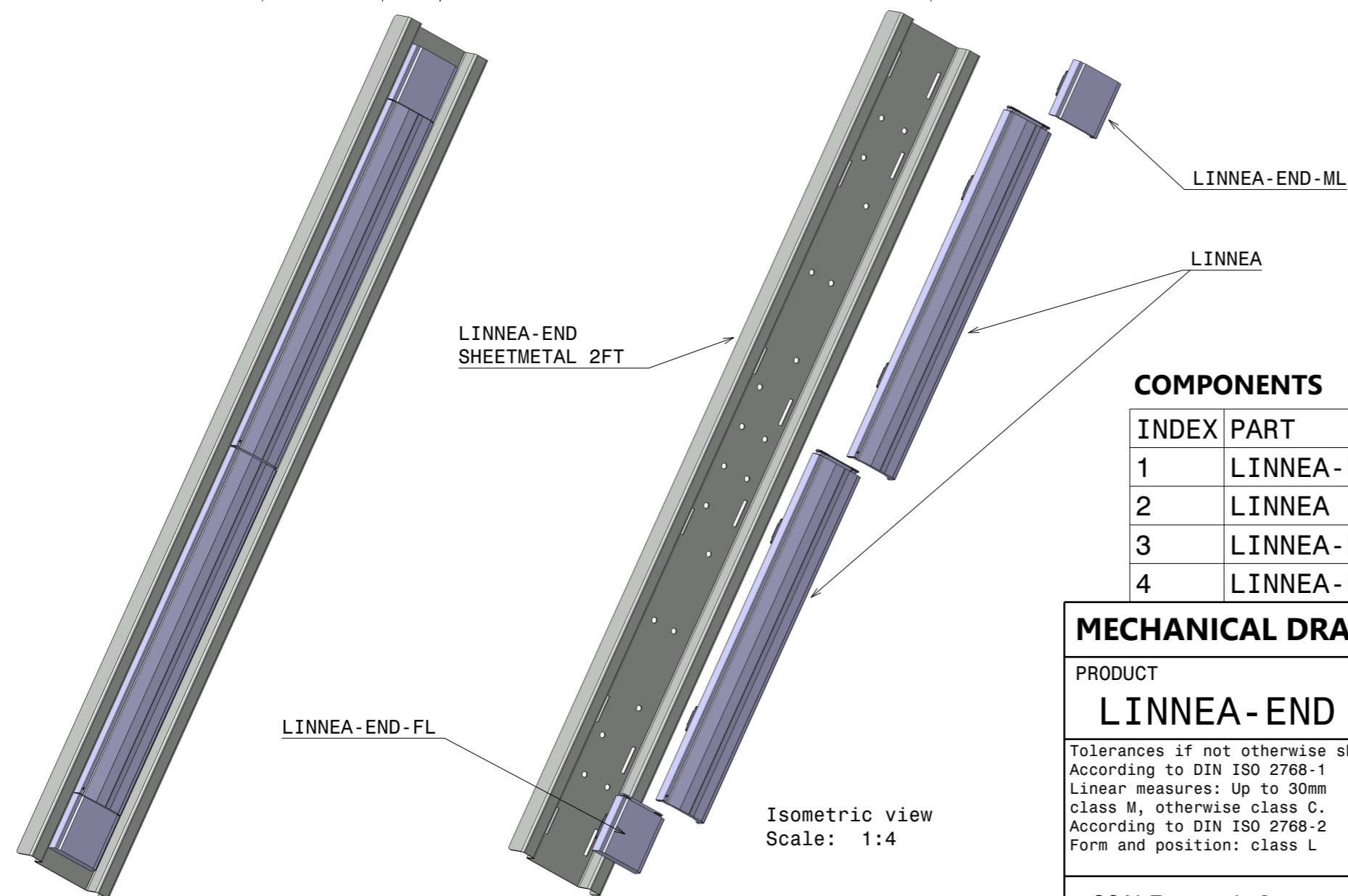
**Notes**

- PCB or heatsink level.
- LED location
- Ensure LED fitting from a product specific 3D model available from [www.ledil.com](http://www.ledil.com)
- For more details about installation please see LEDiL Installation Guide on [www.ledil.com](http://www.ledil.com)

@ A B A



Unfolded view  
Scale: 1:2



Isometric view  
Scale: 1:4

**COMPONENTS**

INDEX	PART	TYPE	MATERIAL	COLOR / COATING
1	LINNEA-END SHEETMETAL 2FT			
2	LINNEA		PC	clear
3	LINNEA-END-FL		PC	clear
4	LINNEA-END-ML		PC	clear

**MECHANICAL DRAWING**

PRODUCT  
**LINNEA-END SHEETMETAL CUT OUT**

Tolerances if not otherwise shown  
According to DIN ISO 2768-1  
Linear measures: Up to 30mm  
class M, otherwise class C.  
According to DIN ISO 2768-2  
Form and position: class L

FIRST ANGLE PROJECTION:

SCALE 1:2      WEIGHT -

**LEDiL**®

This drawing is the property of LEDiL Oy. It may not be reproduced, copied or communicated without a written agreement with LEDiL Oy.

A3 SHEET 2/2